

225mm Plastic Backward Centrifugal Fan

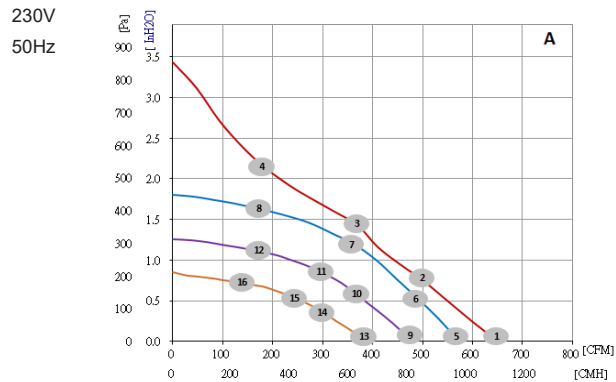
Characteristics:

- Material: Impeller: Plastic
Rotor: Zinc Plating Steel
Electronics housing: Die-cast aluminium
- Number of blades: 7
- Direction of rotation: Clockwise viewed toward rotor
- Insulation class: "B"
- Installation position: Any
- Degree of protection: IP54
- Condensation drainage holes: None
- Mode: Continuous operation (S1)
- Mounting: Maintenance-free ball bearings
- Technical features: Controller input PWM or PWM/0-10V
- Cable exit: Variable
- Protection class: I (with customer connection of protective earth)
- Conformity with standards: EN 60335-1 /UL1004-3
- Weight: 1.5KG



Performance:

| Nominal data | Platform | Curve | Nominal voltage range | Frequency | Speed* | Max input power* | Max input current* | Operating ambient temp | Life time | PWM | PWM/0-10V |
|-------------------|----------|-------|-----------------------|-----------|--------|------------------|--------------------|------------------------|-----------|-----|-----------|
| Type | Motor | | VAC | Hz | rpm | W | A | °C | Hr | | |
| ECO225CB235072110 | OD72 | A | 230 | 50 / 60 | 2670 | 130 | 1.04 | -20 to +60 | 40,000 | ● | |
| ECO225CB235072210 | | | | | 2630 | | | | | ● | |
| ECO225CB126072110 | | B | 120 | | 2670 | | 1.77 | | | ● | ● |
| ECO225CB126072210 | | | | | 2630 | | | | | ● | ● |

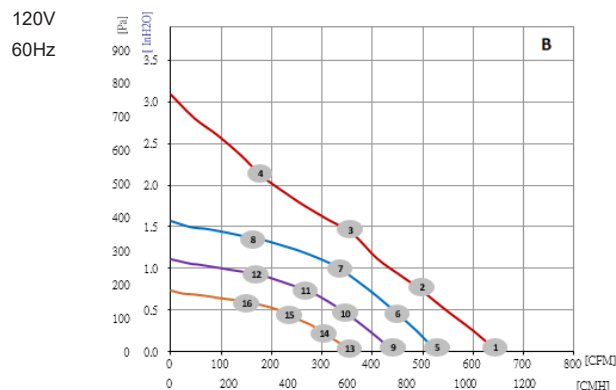


| n (rpm) | P1 (W) | I (A) | η (%) | P (Pa) | P (inH ₂ O) | Q (CMH) | Q (CFM) |
|---------|--------|-------|-------|--------|------------------------|---------|---------|
| ① 2865 | 130 | 1.04 | — | 0 | 0 | 1102 | 649 |
| ② 2660 | 130 | 1.04 | 34.4 | 192 | 0.77 | 845 | 498 |
| ③ 2670 | 130 | 1.04 | 47.9 | 358 | 1.44 | 629 | 370 |
| ④ 2840 | 131 | 1.04 | 35.4 | 538 | 2.16 | 311 | 183 |

| | | | | | | | |
|--------|-----|------|------|-----|------|-----|-----|
| ⑤ 2490 | 85 | 0.71 | — | 0 | 0 | 972 | 572 |
| ⑥ 2490 | 103 | 0.84 | 29.4 | 131 | 0.53 | 832 | 490 |
| ⑦ 2490 | 106 | 0.87 | 47.9 | 239 | 1.20 | 614 | 361 |
| ⑧ 2490 | 91 | 0.76 | 37.7 | 403 | 1.62 | 307 | 181 |

| | | | | | | | |
|--------|----|------|------|-----|------|-----|-----|
| ⑨ 2090 | 52 | 0.46 | — | 0 | 0 | 813 | 479 |
| ⑩ 2090 | 67 | 0.57 | 36 | 137 | 0.55 | 633 | 373 |
| ⑪ 2090 | 65 | 0.55 | 45.8 | 211 | 0.85 | 507 | 298 |
| ⑫ 2090 | 58 | 0.51 | 38 | 277 | 1.11 | 289 | 170 |

| | | | | | | | |
|--------|----|------|------|-----|------|-----|-----|
| ⑬ 1690 | 30 | 0.28 | — | 0 | 0 | 656 | 386 |
| ⑭ 1690 | 37 | 0.34 | 35 | 91 | 0.37 | 508 | 299 |
| ⑮ 1690 | 36 | 0.33 | 43 | 137 | 0.55 | 407 | 239 |
| ⑯ 1690 | 33 | 0.31 | 35.3 | 181 | 0.73 | 231 | 136 |



| n (rpm) | P1 (W) | I (A) | η (%) | P (Pa) | P (inH ₂ O) | Q (CMH) | Q (CFM) |
|---------|--------|-------|-------|--------|------------------------|---------|---------|
| ① 2850 | 130 | 1.77 | — | 0 | 0 | 1099 | 647 |
| ② 2620 | 130 | 1.77 | 33.4 | 186 | 0.75 | 839 | 494 |
| ③ 2630 | 130 | 1.77 | 46 | 353 | 1.42 | 613 | 361 |
| ④ 2800 | 130 | 1.77 | 34.4 | 524 | 2.10 | 308 | 182 |

| | | | | | | | |
|--------|----|------|------|-----|------|-----|-----|
| ⑤ 2280 | 68 | 0.99 | — | 0 | 0 | 895 | 527 |
| ⑥ 2280 | 83 | 1.18 | 28.5 | 111 | 0.45 | 767 | 452 |
| ⑦ 2280 | 85 | 1.22 | 45.9 | 250 | 1.00 | 564 | 332 |
| ⑧ 2280 | 75 | 1.09 | 36.8 | 336 | 1.35 | 297 | 175 |

| | | | | | | | |
|--------|----|------|------|-----|------|-----|-----|
| ⑨ 1930 | 42 | 0.66 | — | 0 | 0 | 753 | 443 |
| ⑩ 1930 | 54 | 0.81 | 35.4 | 117 | 0.47 | 589 | 347 |
| ⑪ 1930 | 52 | 0.79 | 44.7 | 178 | 0.71 | 474 | 279 |
| ⑫ 1930 | 50 | 0.75 | 39.3 | 227 | 0.91 | 310 | 182 |

| | | | | | | | |
|--------|----|------|------|-----|------|-----|-----|
| ⑬ 1570 | 25 | 0.41 | — | 0 | 0 | 611 | 360 |
| ⑭ 1570 | 29 | 0.47 | 26.6 | 54 | 0.22 | 518 | 305 |
| ⑮ 1570 | 30 | 0.48 | 41.9 | 114 | 0.46 | 395 | 232 |
| ⑯ 1570 | 29 | 0.47 | 37.4 | 148 | 0.59 | 260 | 153 |

225mm Plastic Backward Centrifugal Fan

Drawing:

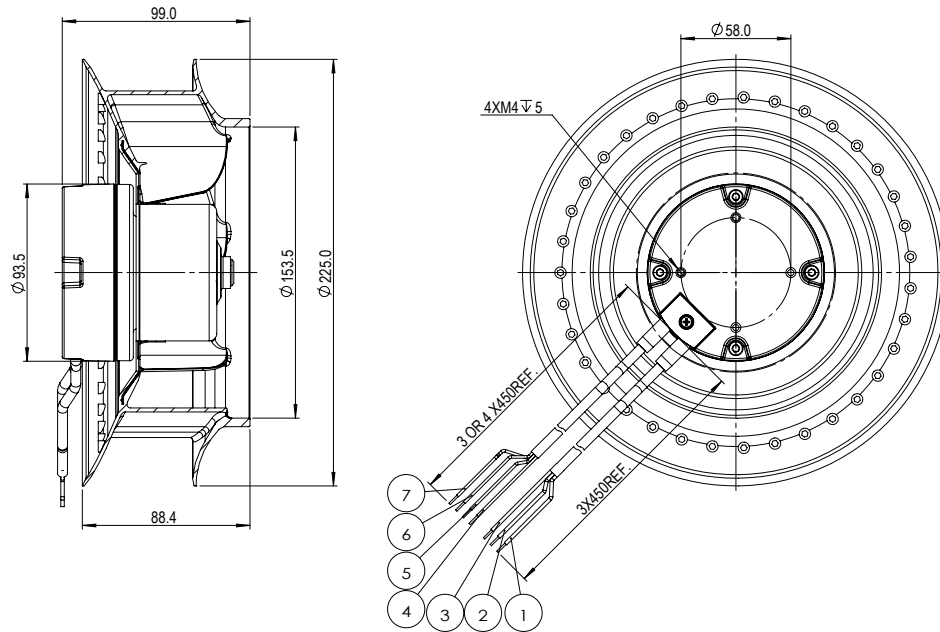


Diagram:

