

225mm Plastic Backward Centrifugal Fan

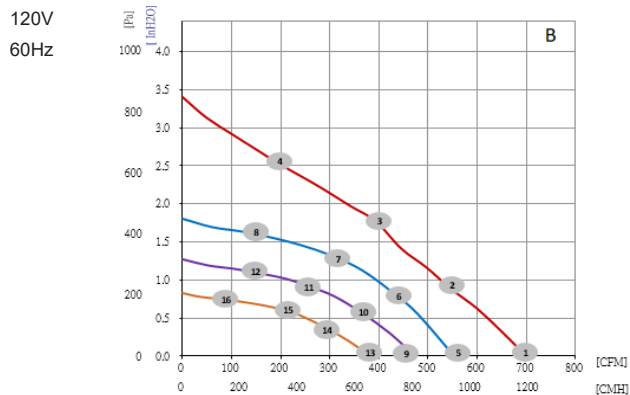
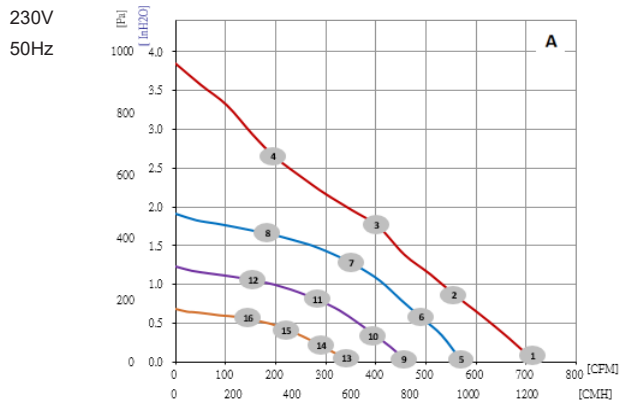
Characteristics:

- Material: Impeller: Plastic
Rotor: Zinc Plating Steel
Electronics housing: Die-cast aluminium
- Number of blades: 7
- Direction of rotation: Clockwise viewed toward rotor
- Insulation class: "B"
- Installation position: Any
- Degree of protection: IP54
- Condensation drainage holes: None
- Mode: Continuous operation (S1)
- Mounting: Maintenance-free ball bearings
- Technical features: Controller input PWM or PWM/0-10V
- Cable exit: Variable
- Protection class: I (with customer connection of protective earth)
- Conformity with standards: EN 60335-1
- Weight: 1.6KG



Performance:

Nominal data	Platform	Curve	Nominal voltage range	Frequency	Speed*	Max input power*	Max input current*	Operating ambient temp	Life time	PWM	PWM/0-10V
Type	Motor		VAC	Hz	rpm	W	A	°C	Hr		
ECO225CB235072220	OD72	A	230	50 / 60	2920	170	1.33	-20 to +60	40,000		●
ECO225CB126072220		B	120		2910		2.34				



	n (rpm)	P1 (W)	I (A)	η (%)	P (Pa)	P ((inH ₂ O))	Q (CMH)	Q (CFM)
①	3150	176	1.33	—	0	0	1220	719
②	2930	176	1.33	32.2	214	0.86	951	560
③	2920	176	1.33	47.1	436	1.75	689	406
④	3120	176	1.33	35.2	658	2.64	340	200

	n (rpm)	P1 (W)	I (A)	η (%)	P (Pa)	P ((inH ₂ O))	Q (CMH)	Q (CFM)
⑤	2510	91	0.74	—	0	0	974	574
⑥	2510	109	0.86	30.1	141	0.57	836	492
⑦	2510	113	0.89	46.6	308	1.24	616	363
⑧	2510	99	0.79	37.1	410	1.65	323	190

	n (rpm)	P1 (W)	I (A)	η (%)	P (Pa)	P ((inH ₂ O))	Q (CMH)	Q (CFM)
⑨	2010	49	0.42	—	0	0	787	464
⑩	2010	59	0.49	27.4	87	0.35	674	397
⑪	2010	61	0.51	43.7	195	0.78	492	290
⑫	2010	56	0.47	36.1	259	1.04	281	166

	n (rpm)	P1 (W)	I (A)	η (%)	P (Pa)	P ((inH ₂ O))	Q (CMH)	Q (CFM)
⑬	1510	26	0.24	—	0	0	588	346
⑭	1510	30	0.27	22.1	47	0.19	504	297
⑮	1510	30	0.27	36.9	110	0.44	365	215
⑯	1510	29	0.27	33.1	139	0.56	250	147

	n (rpm)	P1 (W)	I (A)	η (%)	P (Pa)	P ((inH ₂ O))	Q (CMH)	Q (CFM)
①	3070	170	2.22	0.2	0	0	1188	700
②	2910	180	2.35	31.8	223	0.89	925	545
③	2910	180	2.34	45.3	441	1.77	668	393
④	3060	173	2.24	33.2	631	2.53	329	194

	n (rpm)	P1 (W)	I (A)	η (%)	P (Pa)	P ((inH ₂ O))	Q (CMH)	Q (CFM)
⑤	2430	83	1.17	—	0	0	942	555
⑥	2430	110	1.5	37.7	205	0.82	732	431
⑦	2430	104	1.42	45.1	329	1.32	515	303
⑧	2430	78	1.1	29.3	406	1.63	204	120

	n (rpm)	P1 (W)	I (A)	η (%)	P (Pa)	P ((inH ₂ O))	Q (CMH)	Q (CFM)
⑨	2040	51	0.75	—	0	0	803	473
⑩	2040	65	0.93	36.8	139	0.56	622	366
⑪	2040	62	0.89	44	227	0.91	435	256
⑫	2040	55	0.80	35.9	270	1.08	265	156

	n (rpm)	P1 (W)	I (A)	η (%)	P (Pa)	P ((inH ₂ O))	Q (CMH)	Q (CFM)
⑬	1660	29	0.45	—	0	0	648	382
⑭	1660	37	0.55	33.9	90	0.36	499	294
⑮	1660	35	0.53	42.1	147	0.59	366	215
⑯	1660	27	0.43	27.7	185	0.74	148	87

225mm Plastic Backward Centrifugal Fan

Drawing:

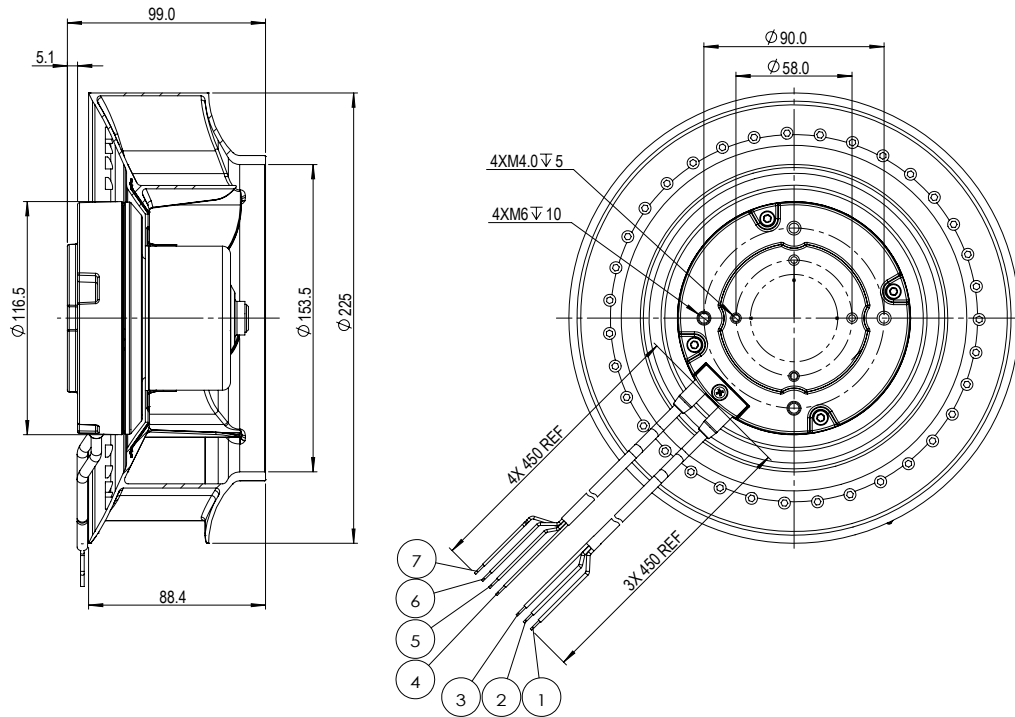
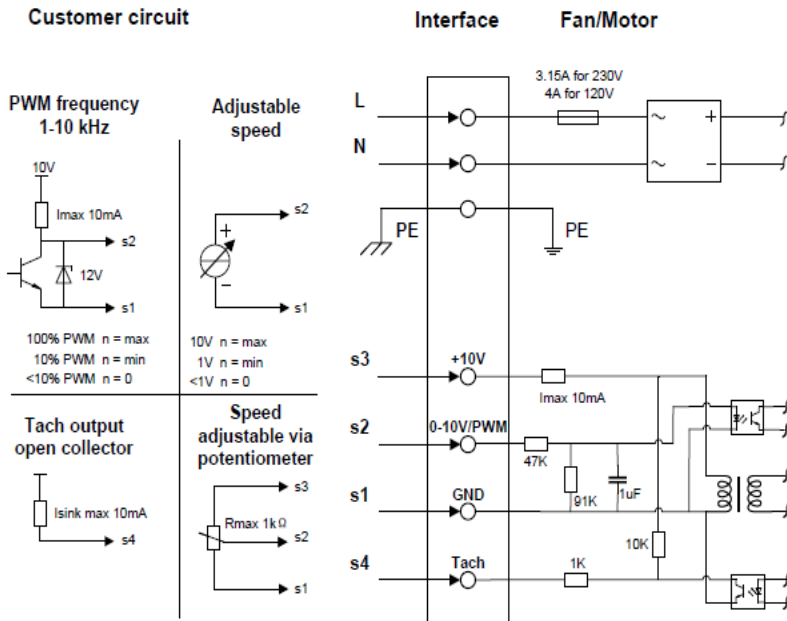


Diagram:



No.	DESIGNATION	COLOR	ASSIGNMENT
1	L	BROWN	POWER SUPPLY
2	N	BULE	NEUTRAL
3	PE	GREEN/YELLOW	GROUND CONNECTION
4	GND	BLACK	GND CONNECTION FOR CONTROL INTERFACE, SELV
5	PWM/0-10V	YELLOW	CONTROL INPUT PWM/0-10V, SELV
6	TACH	WHITE	TACH OUT, SELV
7	+10V	RED	VOLTAGE OUTPUT 10 VDC, SELV