

FEATURES

- Angles ball joints made from steel
- Various threads for screwing on gas struts
- Made to DIN71802 with zinc passivated finish
- Induction hardened balls are wear resistant
- Security clips retain ball studs in sockets
- Static pull values for radial and axial loads
- Supplied with locknut

RS PRO Steel M6 Ball and Socket Joint, 32.5mm x 30mm

RS Stock No.: 689-401



RS Professionally Approved Products bring to you professional quality parts across all product categories. Our product range has been tested by engineers and provides a comparable quality to the leading brands without paying a premium price.

Product Description

RS PRO range of steel ball and socket joints are a type of end fitting accessory for gas springs which are also referred to as gas struts. Gas spring accessories like these RS PRO ball and socket joints end fittings are important for the service life of gas springs and gas struts and come in a range of sizes.

Options include:

689-394 - Ball and socket joint M5

689-401 - Ball and socket joint M6

689-417 - Ball and socket joint M8

689-423 - Ball and socket joint M10.

General Specifications

Accessory Type	Ball & Socket Joint
Rod Connection Thread	M6
Material	Steel
Finish	Zinc passivated
Applications	Gas strut end fittings and gas spring accessories are important in the assembly of gas springs and gas struts

Mechanical Specifications

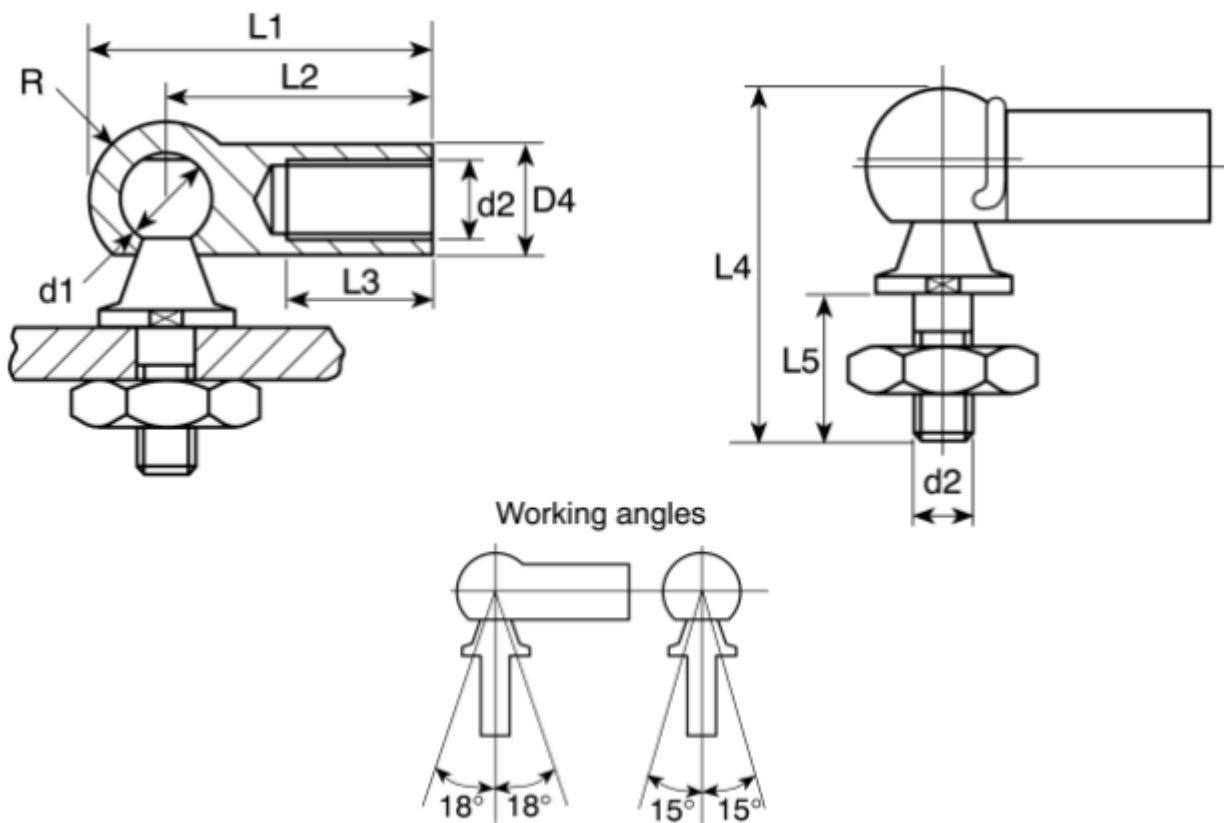
Overall Length	32.5mm
Overall Width	30mm
Ball Diameter	10mm

Approvals

Compliance/Certifications	RoHS, DIN
----------------------------------	-----------



Dimensions:



Dimensions (mm)											
Size mm	D1	D2	D4	L1	L2	L3	L4	L5	R	A/F	min.pull-off force in N
5	8	M5	8	28.5	22	10.5	25	10.2	10.2	6.4	30
6	10	M6	10	32.5	25	11.5	30	12.5	7.5	8	40
8	13	M8	13	39.5	30	14.0	38	16.5	9.7	11	60
10	16	M10	16	47.0	35	15.5	47.5	20.0	12.0	13	80