

ECONOSWITCH SEALED ROCKER SWITCHES

Econoswitch Sealed Rocker Switches

Series - 8554, 8555, 8556

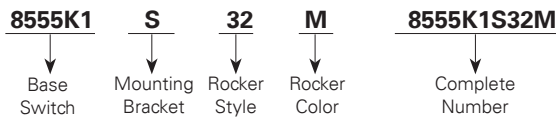
| FEATURES | | SPECIFICATIONS | | CURRENT RATINGS | | | | | | |
|--|--|-------------------------|----------------|-------------------------|-----------------------|----------------|-----------|----------------|----------------|-----------|
| <ul style="list-style-type: none"> Environmentally sealed 1, 2 and 4 pole circuitry 2 & 3 position with maintained and momentary action Pinned rocker button Rocker button style and color variations Multi-circuits Thermoplastic rocker buttons in opaque colors (serrated and smooth face) Panel mounting variations <ul style="list-style-type: none"> Flush panel Sub-panel Snap-in | <ul style="list-style-type: none"> Watertight per MIL-STD-108E and designed to meet IP68 UL recognized and CSA certified Temperature range: -50°F to +150°F (-46°C to +66°C) Life: 50,000 operations at rated load 100,000 operations mechanical life Three standard types of terminals <ul style="list-style-type: none"> Screw 6-32 UNC-2A Solder lug .125 [3,17] dia. hole Spade .250 [6,35] x .032 [0.82] thick | 28VDC | | | 115VAC 60 or 400Hz | | | | | |
| | | No. of Poles | Catalog Number | Type of Operation | Resistive Load | Inductive Load | Lamp Load | Resistive Load | Inductive Load | Lamp Load |
| | | 1 | 8554 | Maintained Momentary | 20 15 | 15 10 | 5 4 | 15 11 | 10 7 | 3 2 |
| 2 | 8555 | Maintained Momentary | 20 18 | 15 10 | 7 5 | 15 11 | 15 8 | 4 2 | | |
| 4 | 8556 | Maintained Momentary | 20 18 | 12 10 | 5 4 | 15 11 | 15 8 | 4 2 | | |

Note: See page C28 for UL and CSA current ratings.

WHEN ORDERING SPECIFY . . .

• Catalog number of base switch followed by suffix letters and numbers for mounting bracket, rocker color and style as listed in selection table.

Order Example:



71933123

SELECTION TABLE

| CIRCUIT WITH LEVER IN . . . | | | BASE CATALOG NUMBER® | | | SUFFIX NUMBERS & LETTERS - ADD TO BASE CATALOG NUMBER | | | | | | |
|-----------------------------|-----------------|------------------------|----------------------|------------------|-----------------|---|----------------|-------------|--------------|----------|--------------|-------------|
| Up Position | Center Position | Down Position (Keyway) | Screw Terminals | Solder Terminals | Spade Terminals | MOUNTING BRACKET | | | ROCKER STYLE | | ROCKER COLOR | |
| | | | | | | Frame Style | Mounting Holes | Code Letter | Style | Code No. | Color | Code Letter |
| One Pole | | | | | | | | | | | | |
| ON | OFF | ON | 8554K1 | 8554K91 | 8554K31 | Sub-Panel Mounting- Clearance Holes | 0.152 | R | | | | |
| ON | NONE | OFF | K9 | K99 | K39 | | | | | | | |
| ON | NONE | ON | K4 | K94 | K34 | | | | | | | |
| ON | OFF | NONE | K6 | K96 | K36 | | | | | | | |
| ON | NONE | ON* | K5 | K95 | K35 | | | | | | | |
| * ON | OFF | ON* | K2 | K92 | K32 | | | | | | | |
| NONE | OFF | ON* | K7 | K97 | K37 | | | | | | | |
| ON | NONE | OFF* | K10 | K910 | K310 | | | | | | | |
| OFF | NONE | ON* | K11 | K911 | K311 | | | | | | | |
| ON | OFF | ON* | K3 | K93 | K33 | | | | | | | |
| * ON | ON | NONE | K12 | K912 | K312 | Sub-Panel Mounting- Tapped Holes | 6-32 UNC-2B | W | Serrated | 32 | White | M |
| ON | ON | NONE | K13 | K913 | K313 | | | | | | | |
| Two Pole | | | | | | | | | | | | |
| ON | OFF | ON | 8555K1 | 8555K91 | 8555K31 | Flush Panel Mounting- Clearance Holes | 0.152 | S | | | Black | V |
| ON | NONE | OFF | K9 | K99 | K39 | | | | | | | |
| ON | NONE | ON | K4 | K94 | K34 | | | | | | | |
| ON | OFF | NONE | K6 | K96 | K36 | | | | | | | |
| ON | NONE | ON* | K5 | K95 | K35 | | | | | | | |
| * ON | OFF | ON* | K2 | K92 | K32 | | | | | | | |
| NONE | OFF | ON* | K7 | K97 | K37 | | | | | | | |
| ON | NONE | OFF* | K10 | K910 | K310 | | | | | | | |
| OFF | NONE | ON* | K11 | K911 | K311 | | | | | | | |
| ON | OFF | ON* | K3 | K93 | K33 | | | | | | | |
| * ON | ON | NONE | K12 | K912 | K312 | Snap-in Bezel Mounting | — | X | | | | |
| ON | ON | NONE | K13 | K913 | K313 | | | | | | | |
| ON | ON | ON | K14 | K914 | K314 | | | | | | | |
| ON | ON | ON* | K15 | K915 | K315 | | | | | | | |
| * ON | ON | ON* | K16 | K916 | K316 | | | | | | | |
| ON | ON | ON | K17 | K917 | K317 | | | | | | | |
| ON | ON | ON* | K18 | K918 | K318 | | | | | | | |
| * ON | ON | ON* | K19 | K919 | K319 | | | | | | | |

* Momentary Contact.






"Safran Electrical & Power Proprietary Information. Information contained in this document is Safran Electrical & Power Proprietary Information and is disclosed in confidence. It is the property of Safran Electrical & Power and shall not be used, disclosed to others, or reproduced without the express written agreement of Safran Electrical & Power. If consent is given for reproduction in whole or in part, this notice set forth on each page of this document shall appear in any such reproduction in whole or in part. Unauthorized export or re-export is prohibited."

ECONOSWITCH SEALED ROCKER SWITCHES

Series - 8554, 8555, 8556

Econoswitch Sealed Rocker Switches

SELECTION TABLE

| CIRCUIT WITH LEVER IN . . . | | | BASE CATALOG NUMBER [Ⓞ] | | | SUFFIX NUMBERS & LETTERS - ADD TO BASE CATALOG NUMBER | | | | | | |
|---|---|---|----------------------------------|------------------|-----------------|---|----------------|-------------|--------------|----------|--------------|-------------|
| Up Position | Center Position | Down Position (Keyway) | Screw Terminals | Solder Terminals | Spade Terminals | MOUNTING BRACKET | | | ROCKER STYLE | | ROCKER COLOR | |
|  |  |  | | | | Style | Mounting Holes | Code Letter | Style | Code No. | Color | Code Letter |
| Four Pole | | | | | | | | | | | | |
| ON | OFF | ON | 8556K1 | 8556K91 | 8556K31 | Sub-Panel | | | | | | |
| ON | NONE | OFF | K9 | K99 | K39 | Mounting- | 0.152 | R | | | | |
| ON | NONE | ON | K4 | K94 | K34 | Clearance | | | | | | |
| ON | OFF | NONE | K6 | K96 | K36 | Holes | | | | | | |
| ON | NONE | ON* | K5 | K95 | K35 | | | | | | White | M |
| * ON | OFF | ON* | K2 | K92 | K32 | Sub-Panel | | | | | | |
| NONE | OFF | ON* | K7 | K97 | K37 | Mounting- | 6-32 | W | Serrated | 32 | | |
| ON | NONE | OFF* | K10 | K910 | K310 | Tapped Holes | UNC-2B | | | | | |
| OFF | NONE | ON* | K11 | K911 | K311 | | | | | | | |
| ON | OFF | ON* | K3 | K93 | K33 | Flush Panel | | | | | | |
| * ON | ON | NONE | K12 | K912 | K312 | Mounting- | | | | | Black | V |
| ON | ON | NONE | K13 | K913 | K313 | Clearance | 0.152 | | | | | |
| ON | ON | ON | K15 | K915 | K315 | Holes | | S | | | | |
| ON | ON | ON* | K16 | K916 | K316 | | | | | | | |
| * ON | ON | ON* | K17 | K917 | K317 | Flush Panel | | | Smooth | 33 | | |
| | | | | | | Mounting- | 6-32 | | | | | |
| | | | | | | Tapped Holes | UNC-2B | T | | | Red | T |
| | | | | | | Snap-in Bezel | | | | | | |
| | | | | | | Mounting | — | X | | | | |

* Momentary contact.

See pages C26-C27 and C29-C31 for circuit diagrams.

Ⓞ Incomplete Catalog Number - add suffix letters and numbers for Mounting Bracket, Rocker Style and Rocker Color - see "When Ordering Specify."

STANDARD

0.00 = inches

[0,0] = mm

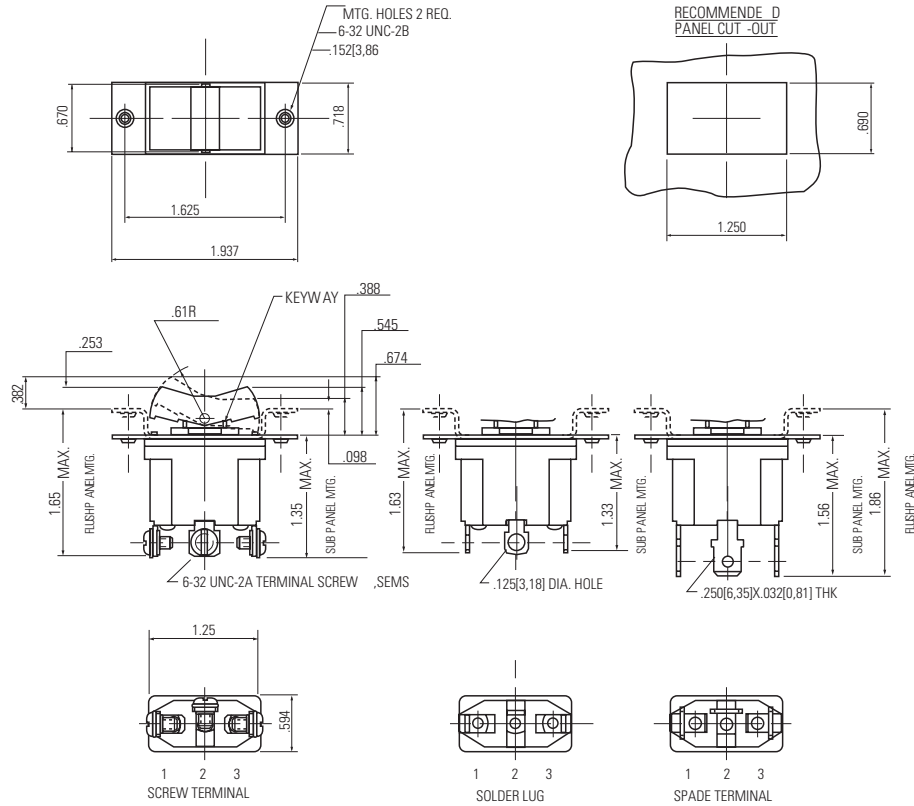
Dimensions for reference only.

ECONOSWITCH SEALED ROCKER SWITCHES

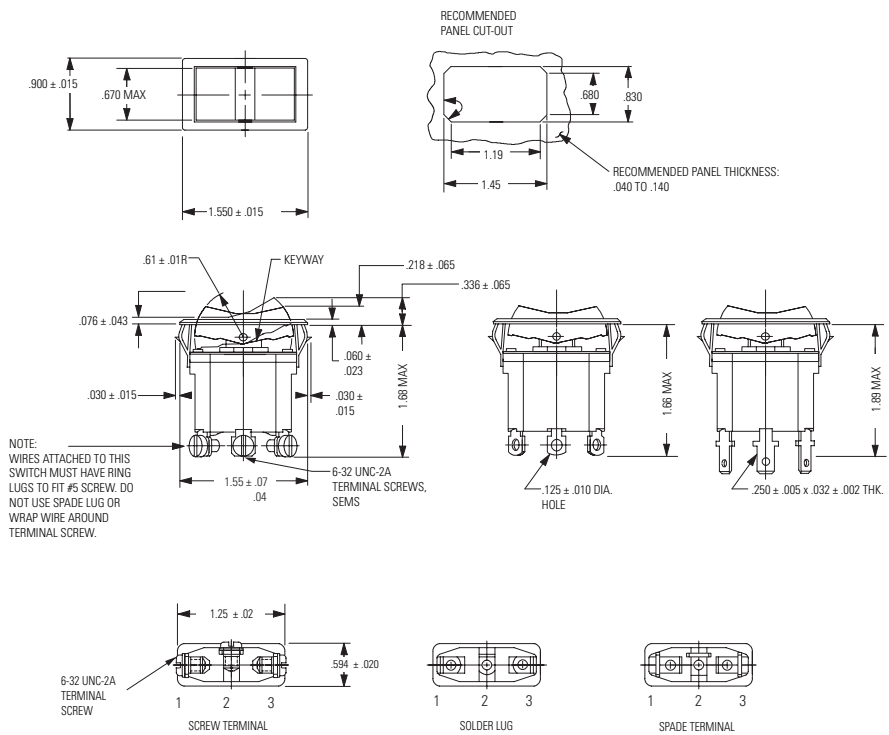
Econoswitch Sealed Rocker Switches

Series - 8554, 8555, 8556

MOUNTING DIMENSIONS - ONE POLE / 8554



MOUNTING DIMENSIONS - SNAP-IN BEZEL ONE POLE / 8554

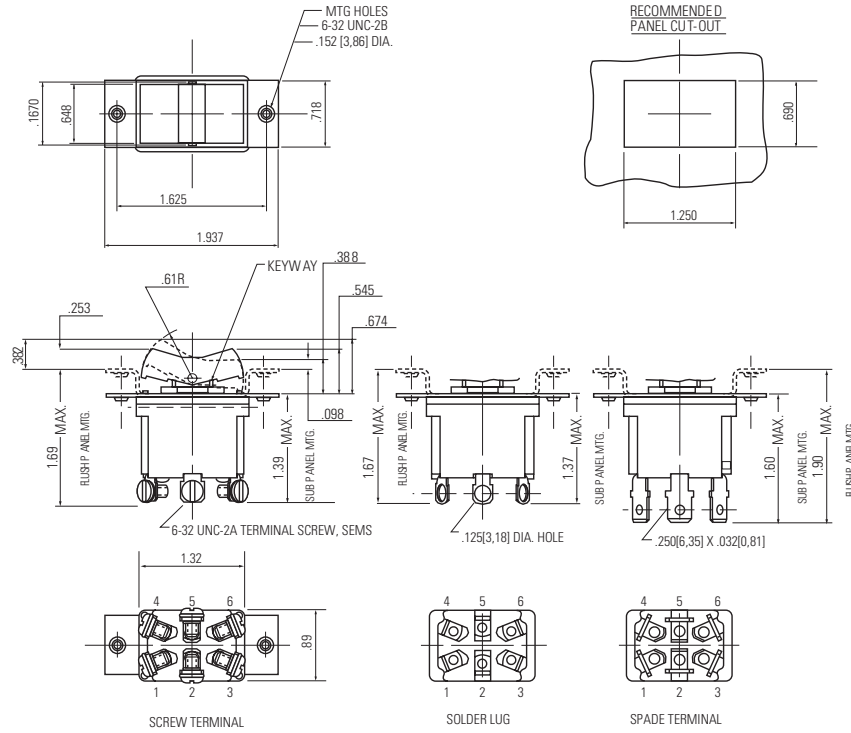


ECONOSWITCH SEALED ROCKER SWITCHES

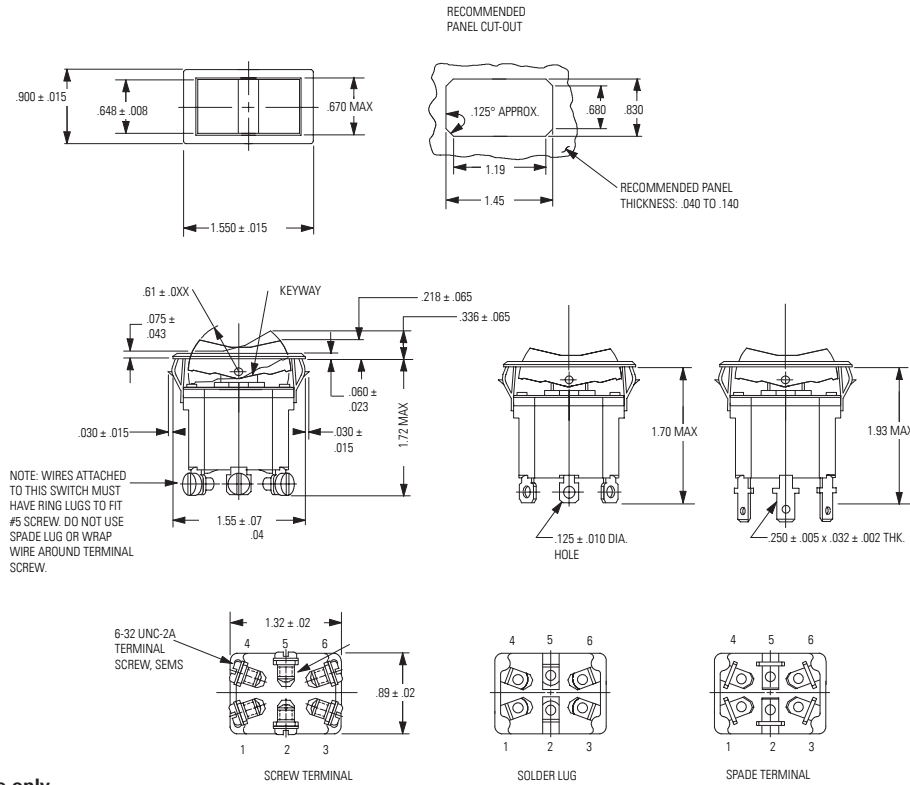
Series - 8554, 8555, 8556

Econoswitch Sealed Rocker Switches

MOUNTING DIMENSIONS - TWO POLE / 8555



MOUNTING DIMENSIONS - SNAP-IN BEZEL TWO POLE / 8555



STANDARD
0.00 = inches
[0,0] = mm

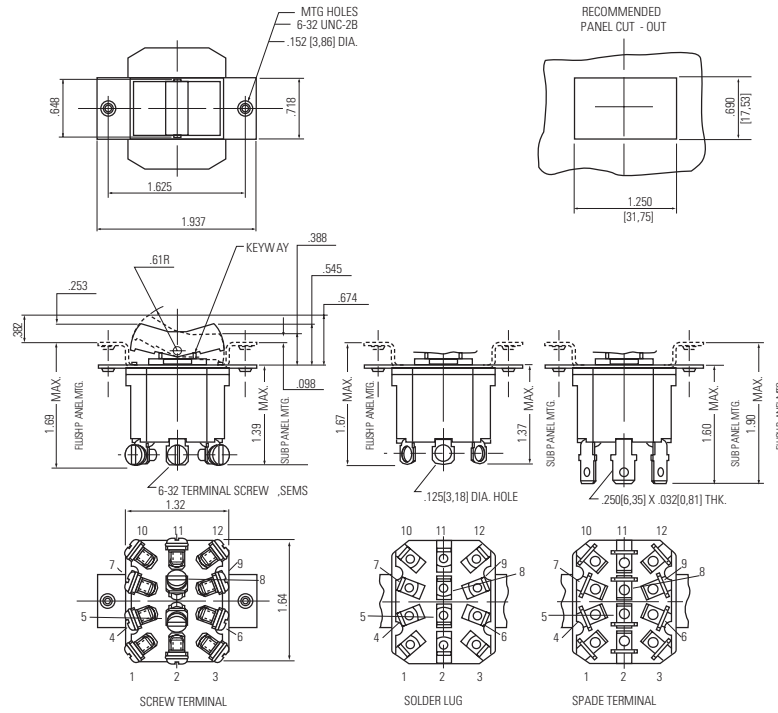
Dimensions for reference only.

ECONOSWITCH SEALED ROCKER SWITCHES

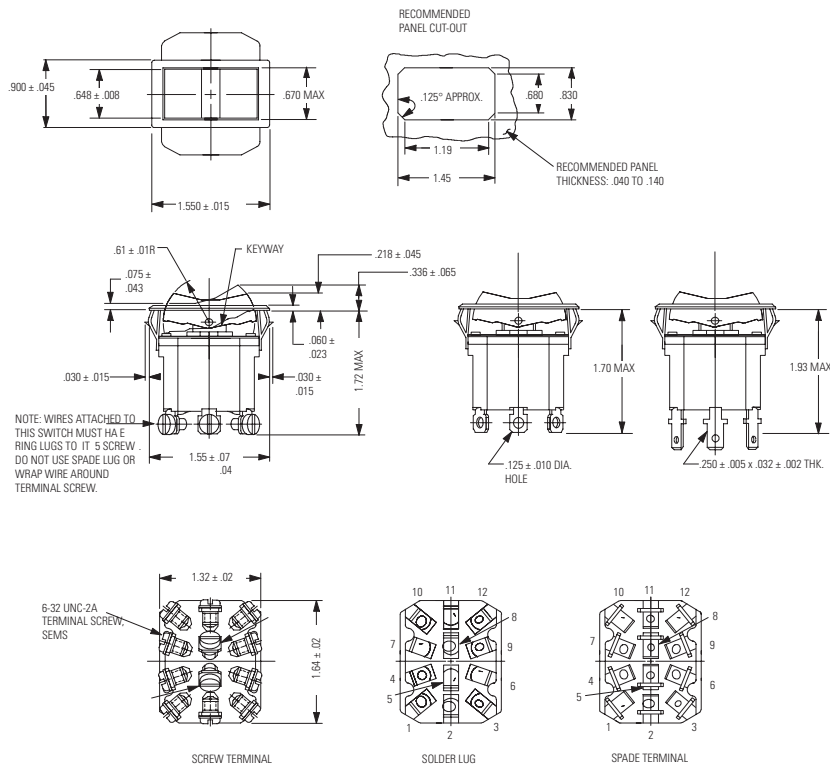
Econoswitch Sealed Rocker Switches

Series - 8554, 8555, 8556

MOUNTING DIMENSIONS - FOUR POLE / 8556



MOUNTING DIMENSIONS - SNAP-IN BEZEL FOUR POLE / 8556



STANDARD
0.00 = inches
[0,0] = mm

Dimensions for reference only.

ECONOSWITCH SEALED ROCKER SWITCHES

Series - 8554, 8555, 8556

Econoswitch Sealed Rocker Switches

OPTIONS/ACCESSORIES

- Special color rockers
- Hot stamped lettering on rockers - smooth rockers only
- Special plated bezels
- Special marking on switches
- Optional Actuator
- Gold plated contacts