

T-Coupler M12 male / 2x M12 female A-cod. F&B PRO

4-pol. / 2x 4-pol.

T-coupler

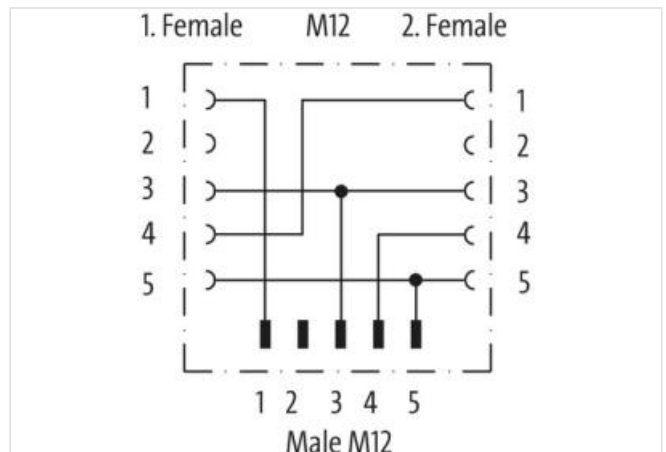
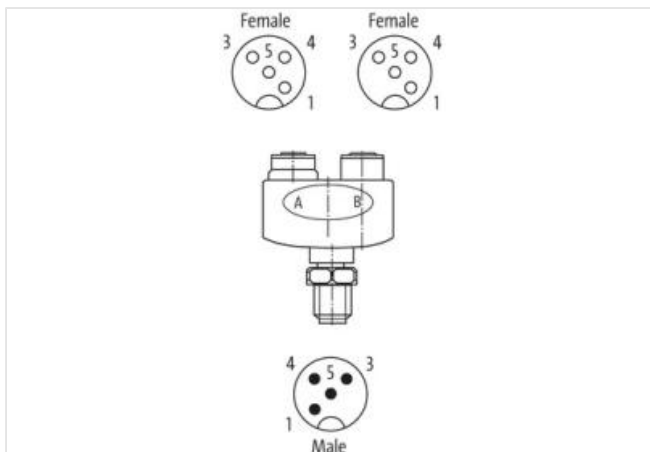
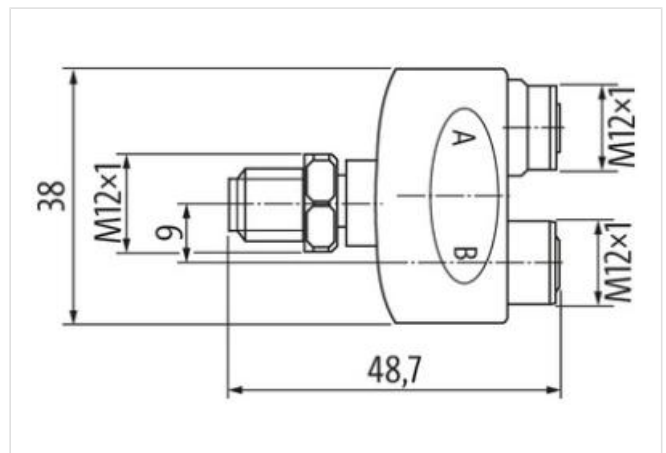
F&B Pro

Male straight – females straight

M12 – M12, 4-pole

Plastic housings with good resistance against chemicals and oils.

The resistance to aggressive media should be individually tested for your application. Further details on request.

[Link to Product](#)**Illustration**

Product may differ from Image

**Technical Data**

| | |
|-------------------------------|--|
| Operating voltage | max. 60 V AC/DC |
| Operating current per contact | max. 4 A |
| Locking of ports | Screw thread (M12×1 mm) recommended torque 0.6 Nm, self-securing |
| Protection | IP65, IP68, IP69K inserted and tightened (EN 60529) |

| | |
|---------------------|------------------------------|
| Material | PP |
| Locking material | Stainless steel 1.4404 (V4A) |
| Compression gland | M12 (SW14) |
| General data | |
| Material gasket | EPDM |
| Temperature range | -25...+100 °C |