

# Digital Panel Meters Modular Indicator and Controller Type UDM35



- Front protection degree: IP67, NEMA12, NEMA4x "Indoor use only"
- Linearization of Hz inputs up to 16 points

- Multi-input modular instrument 3 1/2 DGT LED
- 0.1% RDG basic accuracy
- TRMS AC current and voltage measurements
- AC/DC current measurements: selectable full scales (200µA to 5A)
- AC/DC voltage measurements: selectable full scales (200mV to 500V)
- °C or °F temperature measurements (Pt100-250-500-1000, Ni100, TC J-K-S-T-E)
- Resistance measurements: selectable full scales (20Ω to 20kΩ)
- Dual rate, speed, frequency and period measurement (0.001Hz to 50kHz)
- Up to 4 independent alarm set-points (optional)
- 20mA/10VDC analog output (optional)
- Serial port RS485 or RS232 (optional)
- MODBUS, JBUS communication protocol

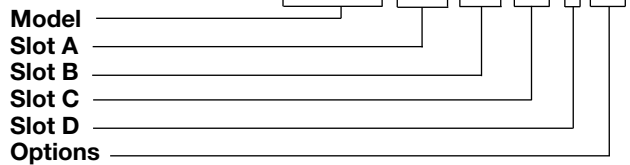
## Product Description

µp-based digital panel meter, 3 1/2 DGT LED indicator, for current, voltage, temperature, resistance, rate, frequency, speed and period measurements. Measuring ranges and functions easily programmable from the key-pad or from

the PC by means of optional UdmSoft software. UDM35 includes storage min-max functions and double level protection password. Housing for panel mounting with front protection degree: IP67, NEMA12, NEMA4x "Indoor use only".

## How to order

**UDM35 XXX XX XX X XX**



## How to order

**UdmSoft-kit**

**UdmSoft-kit:** software plus communication cable for programming UDM35 by means of PC.

**UdmSoft:** software for programming UDM35/40/60 by means of PC, downloadable from [www.carlogavazzi.com](http://www.carlogavazzi.com).

## Type Selection

### Slot A (measuring inputs)

- LSX:** signal inputs:  
0.2-2-20mA DC/AC;  
0.2-2-20V DC/AC
- LSE/LSF:** signal inputs: + AUX:  
0.2-2-20mA DC/AC;  
0.2-2-20V DC/AC
- HSX:** signal inputs:  
0.2-2-5A DC/AC;  
20-200-500V DC/AC (\*\*)
- TRX:** signal inputs: TC temperature probes (J-K-S-T-E, Pt100-250-500-1000) and resistance (0.02-0.2-2-20kΩ)
- TF1:** 0.001Hz to 50kHz for DC signals: PNP, NPN, NAMUR, TTL, free of voltage, contacts, voltages up to 14VDC
- TF2:** 0.001Hz to 50kHz for AC signals: pick-up, voltages up to 500VAC

### Slot B (communication)

- XX:** None
- SX:** Serial port RS485
- SY:** Serial port RS232
- AV(\*):** Single analogue output, 0 to 20mA DC and 0 to 10V DC
- (\*):** The two analogue outputs cannot be used at the same time. It is possible to plug in only one module by instrument.
- (\*\*):** Special version HSX01 with same signal input range as HSX and extended Max. indication of 0.24-2.4-6A DC/AC 24-240-600V DC/AC is available on request.

### Slot C (communication and alarm)

- XX:** None
- R1:** Single relay output, (AC1-8AAC, 250VAC)
- R2:** Dual relay output, (AC1-8AAC, 250VAC)
- R4:** Dual relay output, (AC1-8AAC, 250VAC) + dual open collector output (NPN, 100mA)
- R5:** 4 relay outputs (AC1-5AAC, 250VAC)
- AV(\*):** Single analogue output, 0 to 20mA DC and 0 to 10V DC

### Slot D (power supply)

- H:** 90 to 260V AC/DC
- L:** 18 to 60V AC/DC (24 to 48V AC/DC ± 25% according to UL)
- 3:** 10 to 28V DC (12 to 24V DC ± 15% according to UL)

### Options

- XX:** None
- TX:** Tropicalization

## Input specifications

<b>Analogue inputs</b> BQ LSX module BQ LSE/LSF module BQ HSX module BQ TRX module BQ TRX module BQTF1 module BQTF2 module	Channels and variable 1, mA and V DC/AC 1, mA and V DC/AC + AUX 1, A and V DC/AC 1, temperature 1, resistance 2, frequency 2, frequency	Magnetic field 0.5% RDG (BQTFx: 0.05%) @ 400 A/m
<b>Type of input</b> NPN (DC)  PNP (DC)  NAMUR (DC)  TTL (DC) Free of voltage contact(DC) Voltage (AC) up to 100VAC Voltage (AC) up to 500VAC	Signal level: ON < 2VDC, OFF open collector (leak- age current <=1mA). Signal level: ON >10VDC, OFF open collector (leak- age current <=1mA). Signal level: ON <= 2 mADC, OFF >= 2.2 mADC. Signal level: ON >4VDC, OFF<=2VDC. Input load: ON <1kohm, OFF >20kohm. Signal level: ON > 2VAC (5.65 Vpp). Signal level: ON > 9VAC (25.4 Vpp).	<b>Temperature drift</b> See table "Measurement accuracy, temperature drifts, and max/min indications"
<b>Digital inputs</b> Number of inputs Use  Contact reading signal  Close contact resistance Open contact resistance Insulation	Incl. in the measuring module 1 (voltage-free) key-pad lock Display hold Reset of latch alarms BQ xxx: <0.1mA, <3,5V DC BQ LSE/BQ LSF: <2.5mA, <14V DC BQTF1: <6mA, <7VDC BQTF2: <0.25mA, <3VDC Max 1kΩ Min 500kΩ(BQTFx: 100kΩ) Non-insulated	<b>Sampling rate</b> 500 samples/s @ 50 Hz (escl. BQTFx)
<b>Accuracy</b> (display, RS485)	See table "Measuring accuracy", temperature drifts and minimum-maximum indications"	<b>Display refresh time</b> 200 msec @ 50Hz (escl. BQTFx)
<b>Additional errors</b> Humidity  Input frequency	0.3% RDG (BQTFx: 0.05%), 60% to 90% R.H.  0.4% RDG, 62 to 440 Hz	<b>Display</b> BQxxx: 3 1/2 DGT, BQTFx: 4 DGT 7 segments height 14.2 mm
		<b>Max and min indication</b> See table "Measurement accuracy, temperature drifts and max min indications"
		<b>Measurements</b> Current, voltage, tem- perature, resistance and frequency. For the current and voltage measurements: TRMS measurement of dis- torted sine waves.  Coupling type Crest factor Direct ≤3; A <sub>Pmax</sub> =1.7In; V <sub>Pmax</sub> =1.7Un
		<b>Input impedance</b> See table "input imped- ances and overloads"
		<b>Frequency</b> 40 to 440 Hz
		<b>Overload</b> See table "input impedances and overloads"
		<b>Compensation</b>  Only temperature measurement module.  RTD - For Pt 100-250-500-1000, 3-wire connection: up to 10Ω - For resistance measur. with 20Ω range: up to max 0.1Ω - For resistance measurements with ≥ 200Ω range: up to max 10Ω  TC Internal cold junction, within temperature range from 0 to +50°C. Automatic or manual com- pensation from 0 to 50°C.

## Measurement accuracy, temp. drifts, max and min indications

All accuracies and min/max indications are referred to an ambient temp. range of 25°C ±5°C, rel. humidity ≤60% and scale ratio (electrical/displayed scale) equal to 1. The conversion into °F is obtained acting on the electrical/displayed scale ratio.

Module	Inputs	Type	Accuracy	Temp. drift	Min. indication (■)	Max. indicat. (■)
BQ LSX/ BQ LSE/ BQ LSF	-200µA to +200µA -2mA to +2mA -20mA to +20mA -200mV to +200mV -2V to +2V -20V to +20V	DC/AC	DC: ±(0.1%RDG+3DGT)	±150 ppm/°C		
			0% to 25% FS;			
			±(0.1%RDG+2DGT)			
			25% to 110% FS.			
			TRMS (da 45 a 65Hz)*:			
			±(0.3%RDG+3DGT)			
0% to 25% FS;						
±(0.3%RDG+2DGT)						
25% to 110% FS.						

\* <45Hz >65Hz= ±(0.5%RDG+3DGT) 0% to 25% FS; ±(0.5%RDG+2DGT) 25% to 110% FS.

(■) The min. indication for TRMS measurement (AC or DC) is 0; it is possible to modify the decimal point position.

## Measurement accuracy, temp. drifts, max and min indications (cont.)

All accuracies and min/max indications are referred to an ambient temp. range of 25°C ±5°C, rel. humidity ≤60% and scale ratio (electrical/displayed scale) equal to 1. The conversion into °F is obtained acting on the electrical/displayed scale ratio.

Module	Inputs	Type	Accuracy	Temp. drift	Min. indication (■)	Max. indicat. (■)
BQ HSX	-200mA to +200mA -2A to +2A -5A to +5A -20V to +20V -200V to +200V -500V to +500V	DC/AC	DC: ±(0.1%RDG+3DGT) 0% to 25% FS; ±(0.1%RDG+2DGT) 25% to 110% FS. TRMS (45 to 65Hz)*: ±(0.3%RDG+3DGT) 0% to 25% FS; ±(0.3%RDG+2DGT) 25% to 110% FS.	±150 ppm/°C	- 199.9 - 1.999 - 5.00 - 19.99 - 199.9 - 500	+ 199.9 + 1.999 + 5.00 + 19.99 + 199.9 + 500
BQ TRX Thermo- couple	-50°C to +760°C -58 °F to +1400 °F -200°C to +1260°C -328 °F to +2300°F -200°C to +1000°C -328°F to +1832°F -50°C to +1750°C -58°F to +3182°F -200°C to +400°C -328°F to +752°F	J J K K E E S S T T	±(0.2%RDG+1DGT) ±(0.2%RDG+2DGT) ±(0.2%RDG+2DGT) ±(0.2%RDG+4DGT) ±(0.2%RDG+2DGT) ±(0.2%RDG+4DGT) ±(0.2%RDG+2DGT) ±(0.2%RDG+4DGT) ±(0.2%RDG+2DGT) ±(0.2%RDG+4DGT)	±150 ppm/°C	- 50°C - 58°F - 200°C - 328°F - 200°C - 328°F - 50°C - 58°F - 200°C - 328°F	+ 760°C + 1400°F + 1260°C + 2300°F + 1000°C + 1832°F + 1750°C + 3182°F + 400°C + 752°F

\* <45Hz >65Hz= ±(0.5%RDG+3DGT) 0% to 25% FS; ±(0.5%RDG+2DGT) 25% to 110% FS.

(■) The min. indication for TRMS measurement (AC or DC) is 0; it is possible to modify the decimal point position.

Module	Inputs	Type	Accuracy	Temp. drift	Min. indication	Max. indicat.
BQ TRX Ther- moresist- ance	-200°C to +850°C -328°F to +1562°F -200.0°C to +200.0°C -328°F to +392°F -200.0°C to +200.0°C -328°F to +392°F -200.0°C to +200.0°C -328°F to +392°F -200.0°C to +200.0°C -328°F to +392°F -60°C to +180°C -76°F to +356°F	Pt100 Pt100 Pt100 Pt100 Pt250 Pt250 Pt500 Pt500 Pt1000 Pt1000 Ni100 Ni100	±(0.2%RDG +2DGT) ±(0.2%RDG +4DGT) ±(0.5%RDG +5DGT) ±(0.5%RDG +5DGT) ±(0.5%RDG +5DGT) ±(0.5%RDG +5DGT) ±(0.5%RDG +5DGT) ±(0.5%RDG +5DGT) ±(0.5%RDG +5DGT) ±(0.5%RDG +5DGT) ±(0.5%RDG +1DGT) ±(0.5%RDG +2DGT)	±150 ppm/°C	- 200 - 328 - 200.0 - 328.0 - 200.0 - 328.0 - 200.0 - 328.0 - 200.0 - 328.0 - 60 - 76	+ 850 + 1562 + 200.0 + 392.0 + 200.0 + 392.0 + 200.0 + 392.0 + 200.0 + 392.0 + 180 + 356
BQ TRX Resist- ance	0 to 20Ω 0 to 200Ω 0 to 2000Ω 0 to 20.00kΩ		±(0.2%RDG+2DGT) 25% to 110% FS ±(0.2%RDG+3DGT) 0% to 25% FS	±150 ppm/°C	0 0 0 0	19.99 (■) 199.9 (■) 1999 (■) 19.99 (■)
BQ TF1	NPN (DC) PNP (DC) NAMUR (DC) TTL (DC) Free of voltage con- tact (DC)		0.001% RDG ±3 digit	± 50 ppm/°C	0.000 (*) 00.00 (*) 000.0 (*) 0000 (*)	9.999 99.99 999.9 9999
BQ TF2	Pick-up (AC) Voltage (AC) up to 100VAC Voltage (AC) up to 500VAC		0.001% RDG ±3 digit	± 50 ppm/°C	0.000 (*) 00.00 (*) 000.0 (*) 0000 (*)	9.999 99.99 999.9 9999

(■) It is possible to modify the decimal point position.

(\*) The min indication is -9.99999, ..., -999999 in case of "rotation speed detection" function

## Input impedances and overloads

Module	Inputs	Type	Impedance	Overload (continuous)	Overloads (1s)
BQ LSX/ BQ LSE/ BQ LSF	-200µA to +200µA -2mA to +2mA -20mA to +20mA -200mV to +200mV -2V to +2V -20V to +20V	DC/AC DC/AC DC/AC DC/AC DC/AC DC/AC	≤2,2kΩ ≤22Ω ≤22Ω ≥2,2kΩ ≥200kΩ ≥200kΩ	5mA 50mA 50mA 10V 50V 50V	10mA 150mA 150mA 20V 100V 100V
BQ HSX	-200mA to +200mA -2A to +2A -5A to +5A -20V to +20V -200V to +200V -500V to +500V	DC/AC DC/AC DC/AC DC/AC DC/AC DC/AC	≤1Ω ≤0.012Ω ≤0.012Ω ≥2MΩ ≥2MΩ ≥2MΩ	0.8A 7.5A 7.5A 750V 750V 750V	1A 100A 100A 1000V 1000V 1000V
BQ TRX Thermo- couple	-50°C to +760°C -58 °F to +1400 °F -200°C to +1260°C -328 °F to +2300°F -200°C to +1000°C -328°F to +1832°F -50°C to +1750°C -58°F to +3182°F -200°C to +400°C -328°F to +752°F	J J K K E E S S T T	$I_{LK} < 0.5\mu A$	Max 5V	Max 10V
BQ TRX Thermo- resistance	-200°C to +850°C -328°F to +1562°F -200.0°C to +200,0°C -328°F to +392°F -200.0°C to +200,0°C -328°F to +392°F -60°C to +180°C -76°F to +356°F	Pt100 Pt100 Pt250/Pt100 Pt250/Pt100 Pt1000/Pt500 Pt1000/Pt500 Ni100 Ni100	800µA (*) 800µA (*) 90µA (*) 90µA (*) 800µA (*) 800µA (*) 800µA (*) 800µA (*)	Max 5V	Max 10V
BQ TRX Resistance	0 to 20Ω 0 to 200Ω 0 to 2000Ω 0 to 20.00kΩ		800µA (*) 90µA (*) 800µA (*) 90µA (*)	Max 5V	Max 10V
BQ TF1	NPN (DC) PNP (DC) NAMUR (DC) TTL (DC) Free of voltage contact (DC)		600 Ω 600 Ω 600 Ω 600 Ω	15 VAC/DC 15 VAC/DC 15 VAC/DC 15 VAC/DC 15 VAC/DC	20 VAC/DC 20 VAC/DC 20 VAC/DC 20 VAC/DC 20 VAC/DC
BQ TF2	Pick-up (AC) Voltage (AC) up to 100VAC Voltage (AC) up to 500VAC		220 kΩ 950 kΩ	120 VAC/DC 600 VAC/DC	200 VAC/DC 600 VAC/DC

(\*) Maximum measuring current generated for resistance equal to 0

## Output specifications

<b>RS422/RS485</b>	<b>(on request)</b> Module: BR SX Bidirectional (static and dynamic variables). Display of data reception/transmission Multidrop, 2 or 4 wires, 1000 m Directly on the module by means of jumper 1 to 247, selectable by means of key-pad MODBUS RTU/JBUS	Relay output BO R1, R2, R4	4, independent with module BO R4 (2 relay outputs + 2 open collector outputs). BO R5 (4 relay outputs) Type SPST AC 1: 8A, 250VAC DC 12: 5A, 24VDC AC 15: 2.5A, 250VAC DC 13: 2.5A, 24VDC
Serial output			Type SPST
LED			AC 1: 8A, 250VAC DC 12: 5A, 24VDC AC 15: 2.5A, 250VAC DC 13: 2.5A, 24VDC
Connections			Type SPST (NO)
Distance			AC 1: 5A, 250VAC DC 12: 3A, 24VDC AC 15: 1.5A, 250VAC DC 13: 1.5A, 24VDC
Terminalization			4000 V <sub>RMS</sub> output to measuring input, 4000 V <sub>RMS</sub> output to power supply input.
Addresses		Relay output BO R5	NPN transistor type V <sub>ON</sub> 1.2 VDC/ max. 100 mA V <sub>OFF</sub> 30 VDC max.
Protocol			By means of opto-couplers 4000 V <sub>RMS</sub> output to measuring input 4000 V <sub>RMS</sub> output to power supply input
Data (bidirectional)		Insulation	
Dynamic (reading only)	Measurement, min value max value alarm status		
Static (reading/writing)	All programming parameters, min max reset reset of latch alarm	Open collector output	
Data format	8 data bit, no parity, 1 stop bit	Insulation	
Baud rate	selectable 4800, 9600, 19200 and 38400 bit/s		
Insulation	By means of opto-couplers 4000 V <sub>ms</sub> output to measuring inputs 4000 V <sub>ms</sub> output to power supply input		
<b>RS232</b>	<b>(on request)</b> Module: BR SY Bidirectional (static and dynamic variables) 3 wires, max. 15m 1 start bit, 8 data bit, no parity, 1 stop bit Selectable 4800, 9600, 19200 and 38400 bit/s Same as RS422/485	<b>Analogue output</b>	<b>(on request)</b> Module: BO AV 0 to 20 mADC, 0 to 10 VDC Programmable within the entire retransmission range; allows to manage the retransmission of all the values from 0 to 20 mA / 0 to 10V ± 0.2% FS (@ 25°C ± 5°C) ≤ 10 ms ± 200 ppm/°C Load: 20 mA output 10 V output ≥ 10 kΩ By means of opto-couplers 4000V <sub>ms</sub> output to measuring input 4000V <sub>ms</sub> output to power supply input
Serial output		Range	
Connections		Scaling factor	
Distance			
Data format			
Baud rate		Accuracy	
Other features		Response time	
		Temperature drift	
		Load: 20 mA output 10 V output	
		Insulation	
<b>Alarm outputs</b>	<b>(on request)</b> Over-range alarm, up alarm, down alarm, down alarm with start-up deactivation up alarm with latch, down alarm with latch Adjustable from 0 to 100% of displayed electric range	Notes:	The two outputs cannot be used at the same time.
Alarm type			
Alarm set-point		<b>Excitation output</b>	<b>(on request)</b>
Hysteresis		BQ LSE Module	13 VDC ±10%, max. 50 mA
On-time delay	0 to 100% of displayed range	Voltage	
Off-time delay	0 to 255 s	BQ LSF Module	25 VDC ±10%, max. 25 mA
Output status	0 to 255 s	Voltage	
Min response time	Selectable: normally energized /de-energized	BQTF1 Module	8.2VDC ±10%, max 10mA. 13VDC ±10%, max 40mA.
Output channels	500 ms, with filter excluded, without alarm activation delay	Voltage 1	25V <sub>RMS</sub> output to measuring input 4000 V <sub>RMS</sub> output to power supply input
	1 with module BO R1 (relay output). 2, independent with module BO R2 (2 relay outputs).	Voltage 2	
		Insulation	



## Software functions

<b>Min / Max storage</b>	Automatic storage (in the EEPROM) of the minimum and maximum measured value from the previous memory reset	<b>Diagnostics</b>	The display flashes when the limits of the display range are exceeded and the data are updated up to 20% of the rated display range. Note: While exceeding the display range of the variables managed by the special module BQHSX01 the display doesn't flash. Only temperature inputs
<b>Password</b>	Numeric code max 4 dgt 2 levels of data protection. 0 to 4999 completely protected. 5000 to 9999 access to programming is protected . Alarm set-points are directly programmable from the measuring mode.		
1st level 2nd level		RTD	Opening of probe's connection: EEE indication
<b>Measurement selection</b>	Depending on the module: measuring range and type of probe (resistance, RTD thermoresistance, TC thermocouple) or measuring type (TRMS or DC).	BQTFx	Opening of probe's connection: EEE indication probe's short circuit: -EEE indication. Exceeding of frequency range: Err indication
<b>Function (only BQTFx)</b>	Displayed functions of channel A and B: F1: scaled value of channel A; F2: 1/A; F3: A-B; F4: (A-B)/B*100; F5: A/B; F6: B/(A+B)+100; F7: rotation sensing.	<b>Digital filter</b>	
<b>Integration time selection</b>	Automatic or from 100.0 to 999.9 ms only in the current and voltage measurement. (BQTFx excluded)	Filter operating range Filtering coefficient	0 to 9999 1 to 32
<b>Scaling factors</b>		<b>Display selection</b>	3 1/2 DGT or 3 DGT plus dummy zero (BQTFx excluded) 4 DGT on BQTFx
Operating mode	Electrical scale compression, displayed scale compression/expansion (max. 2 without filter, up to 10 with filter)	<b>Scaling</b>	Selection of min value of the input range. Selection of max value of the input range. Selection of decimal point position. Selection of min display value. Selection of max display value.
Electrical range	Programmable within the whole measuring range	<b>UdmSoft</b>	Software for programming UDM35 by means of PC (Windows 95, 98se, ME, XP) by means of serial port RS485 and relevant connection cable. The software is available in English, Spanish, Italian, German and French. See also "Programming of UDM35 by means of PC".
Decimal point position	Programmable within the display range		
Displayed range of the variable	Programmable within the display range		
Pulse per revolution	BQTFx only: programmable from 1 to 9999		
Input engineering unit	BQTFx only: programmable among Hz, kHz, rpm, krpm, rph, krph		

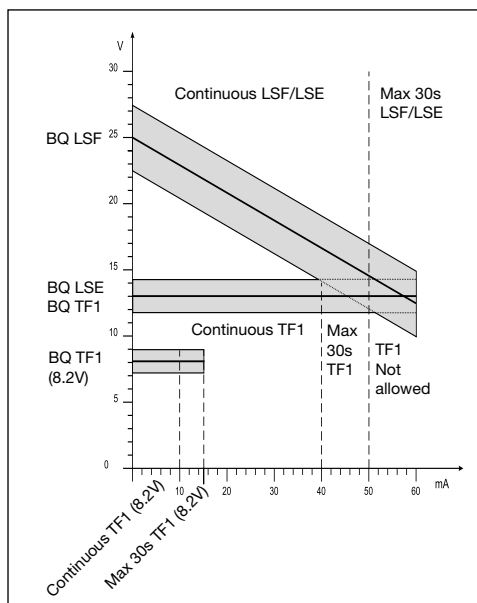
## Supply Specifications

<b>AC/DC voltage</b>	90 to 260V (standard) 18 to 60V (on request) (24 to 48V AC/DC $\pm$ 25% according to UL)	<b>Energy consumption</b>	$\leq$ 30VA/12W (90 to 260V) $\leq$ 20VA/12W (18 to 60V) $\leq$ 7.5W (10 to 28V)
<b>DC voltage only</b>	10 to 28V (on request) (12 to 24V DC $\pm$ 15% according to UL)		

## General Specifications

<b>Operating temperature</b>	0° to 50°C (32° to 122°F) (H.R. < 90% non-condensing)	<b>Safety Standards</b>	Safety	EN 61010-1, IEC 61010-1
<b>Storage temperature</b>	-10° to 60°C (14° to 140°F) (H.R. < 90% non-condensing)	<b>Connections</b>	Cable cross-section area	Screw type Max. 2.5 mm <sup>2</sup> ; Min./Max. screws tightening torque: 0.4 Nm / 0.6 Nm
<b>Insulation reference voltage</b>	300 V <sub>RMS</sub> to ground (500V input)	<b>Housing</b>	Dimensions	1/8 DIN, 48 x 96 x 105 mm PC-ABS, self-extinguishing: UL 94 V-0
<b>Insulation</b>	See table "Insulation between inputs and outputs"		Material	
<b>Dielectric strength</b>	4000 V <sub>RMS</sub> for 1 minute	<b>Protection degree</b>		Front: IP67, NEMA12, NEMA4x "Indoor use only" Connections: IP20
<b>Rejection</b>		<b>Weight</b>		520 g approx (included all modules and packing)
NMRR	40 dB, 40 to 60 Hz	<b>Approvals</b>		CE, cCSA UL e cRU US
CMRR	100 dB, 40 to 60 Hz			
<b>EMC</b>				
	EN61000-6-2, IEC61000-6-2 EN61000-6-3, IEC61000-6-3			

## Excitation output



## Insulation between inputs and outputs

	Meas. inputs	Relay output	Static output	Analogue output	Serial Port	AUX p. supply	90-260VAC/ DC p. supply	18-60VAC/ DC p. supply
<b>Meas. inputs</b>	-	4kV	4kV	4kV	4kV	25V	4kV	4kV
<b>Relay Output</b>	4kV	-	2kV	4kV	4kV	4kV	4kV	4kV
<b>Static Output</b>	4kV	2kV	-	4kV	4kV	4kV	4kV	4kV
<b>Analogue Output</b>	4kV	4kV	4kV	-	4kV	4kV	4kV	4kV
<b>Serial Port</b>	4kV	4kV	4kV	4kV	-	4kV	4kV	4kV
<b>AUX power supply</b>	25V	4kV	4kV	4kV	4kV	-	4kV	4kV
<b>90-260VAC/ DC p. supply</b>	4kV	4kV	4kV	4kV	4kV	4kV	-	-
<b>18-60VAC/ DC p. supply</b>	4kV	4kV	4kV	4kV	4kV	4kV	-	-

## Available modules

Type	N. of channels	Ordering code
UDM35 main unit		BD 35
DC/AC input: 200µA , 2mA, 20mA, 200mV, 2V, 20V	1	BQ LSX
DC/AC input: 200µA , 2mA, 20mA, 200mV, 2V, 20V + excitation output	1	BQ LSE/ BQ LSF
DC/AC input: 200mA, 2A, 5A, 20V, 200V, 500V	1	BQ HSX
Input: 20Ω, 200Ω, 2kΩ, 20kΩ	1	BQ TRX
TC: J-K-S-T-E, Pt100-250-500-1000	1	BQ TRX
Pulse signals input: 0.001Hz to 50kHz for DC signals	2	BQ TF1
Pulse signals input: 0.001Hz to 50kHz for AC signals	2	BQ TF2
Analogue output 0 to 20mA, 0 to 10VDC	1	BO AV
Relay output	1	BO R1
Relay output	2	BO R2
Outputs: 2 relays + 2 open collectors	4	BO R4
Relay output	4	BO R5
RS485 Serial Port	1	BR SX
RS232 Serial Port	1	BR SY
Power supply 18 to 60V AC/DC		BP L
Power supply 90 to 260V AC/DC		BP H
Power supply 10 to 28V DC		BP 3

## Possible module combinations

Basic Unit	Slot A	Slot B	Slot C	Slot D
Measuring inputs: LSX, LSE, LSF, HSX, TRX, TF1, TF2	●			
RS485 Serial port: SX		●		
RS232 Serial port: SY		●		
Analogue output: AV (*)		●	●	
Relay outputs and/or open collector: R1, R2, R4, R5			●	
Power supply: H, L, 3				●

(\*) Up to 1 module max.

## Used calculation formulas

Only for TRMS Measurements

Instantaneous effective voltage (TRMS)

$$V_1 = \sqrt{\frac{1}{n} \cdot \sum_1^n (V_1)_i^2}$$

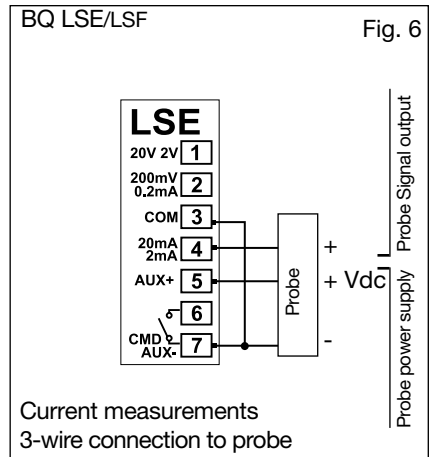
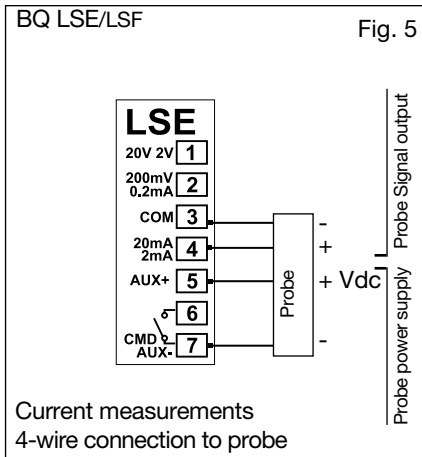
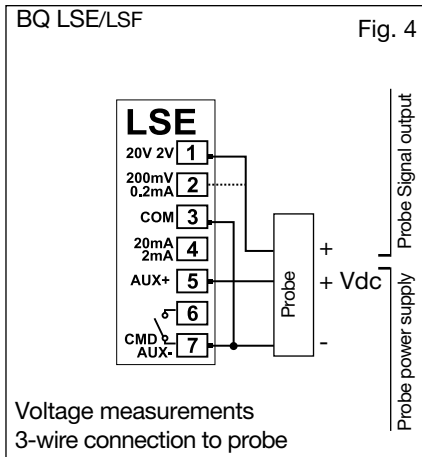
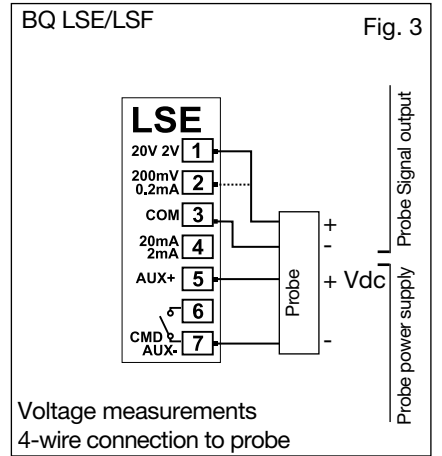
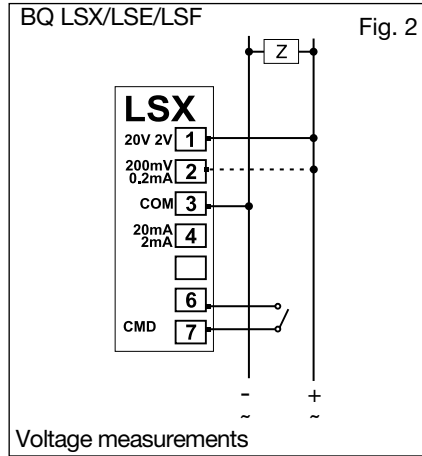
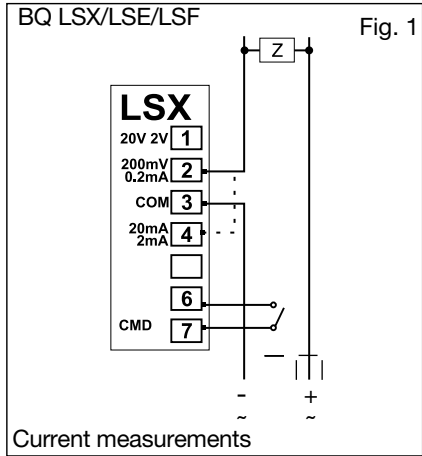
Instantaneous effective current (TRMS)

$$A_1 = \sqrt{\frac{1}{n} \cdot \sum_1^n (A_1)_i^2}$$

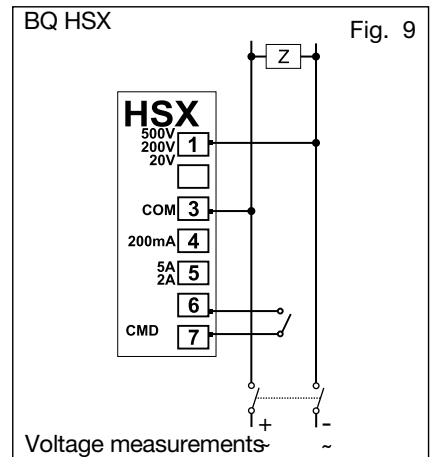
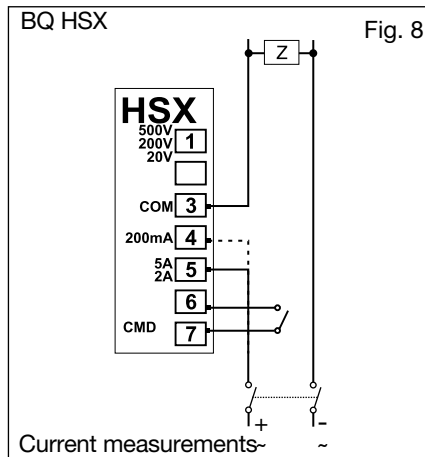
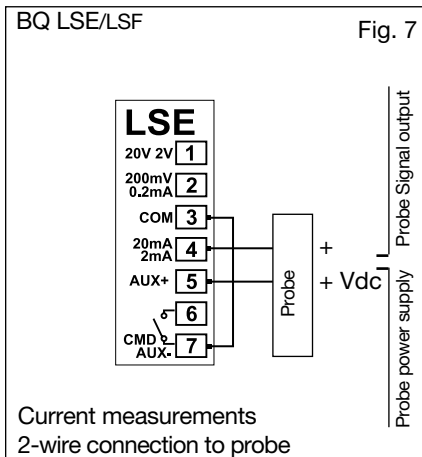


# Wiring diagrams

## Process signal wiring diagrams

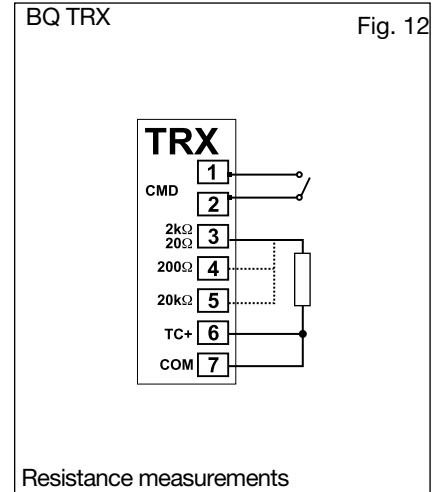
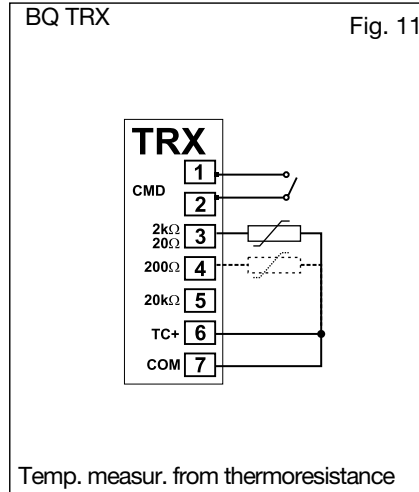
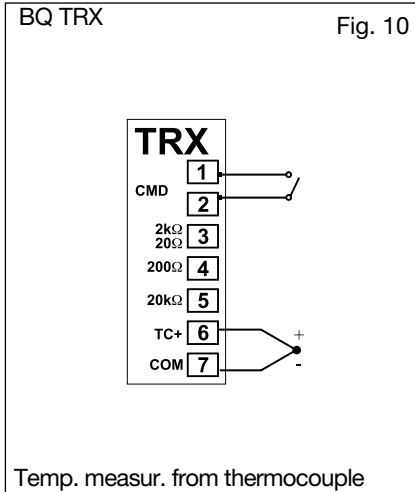


## Wirings for high-level signals

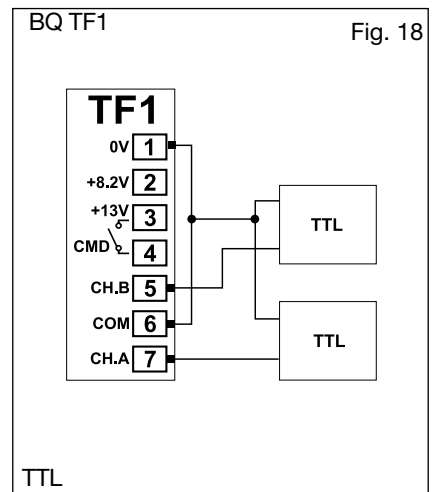
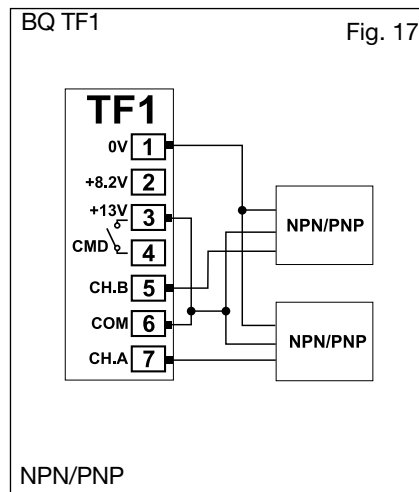
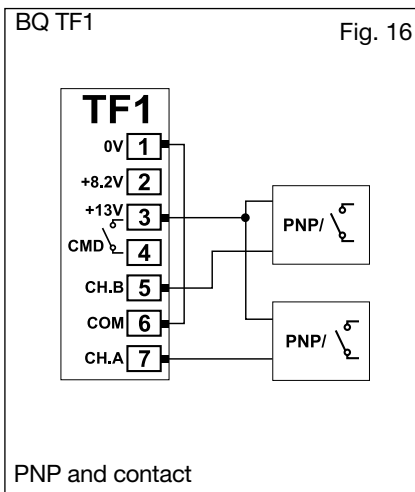
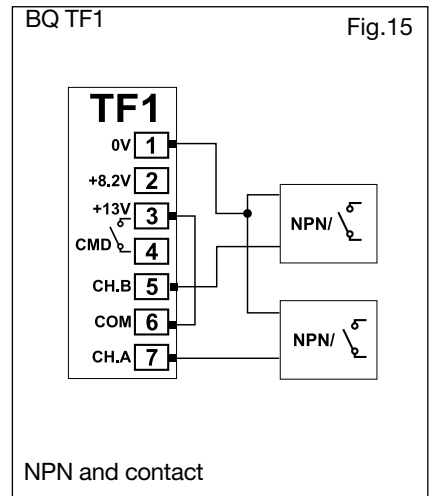
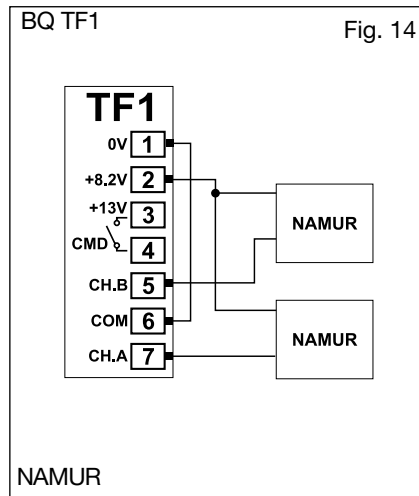
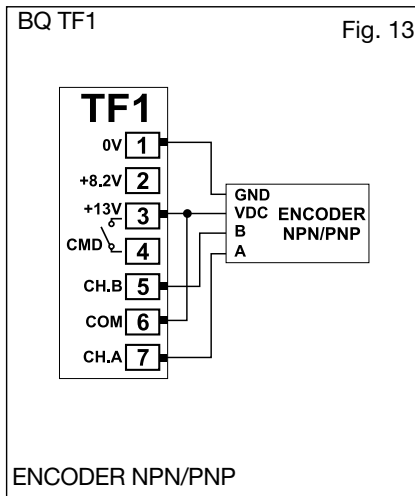


## Wiring diagrams (cont.)

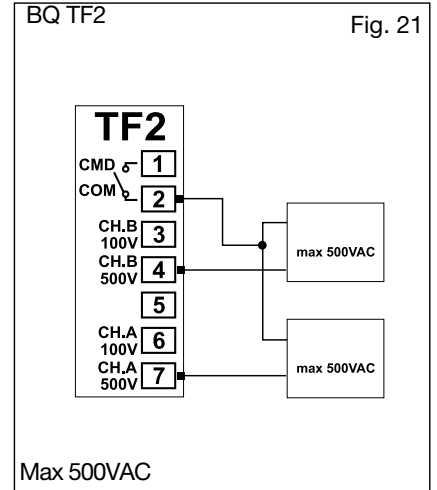
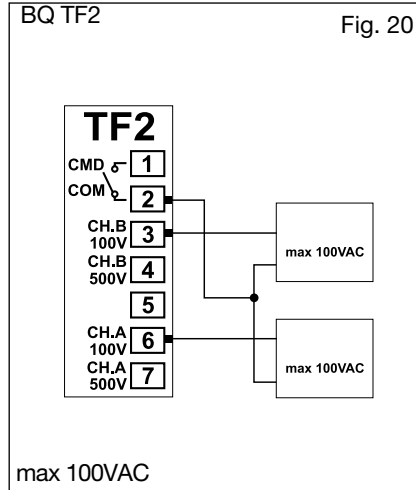
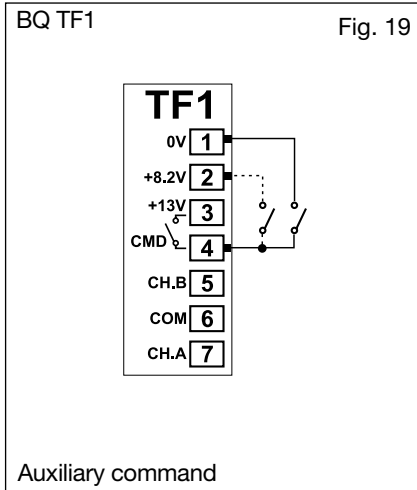
### Wiring diagrams for temperature measurements



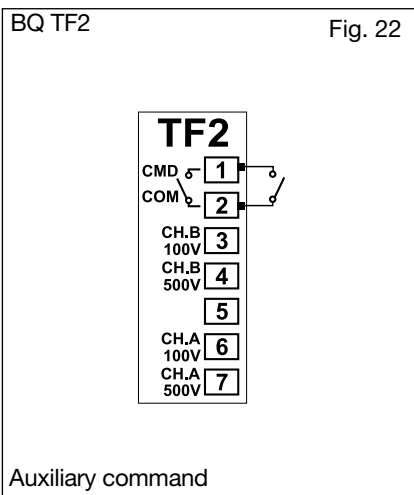
### Wiring diagrams for frequency measurements



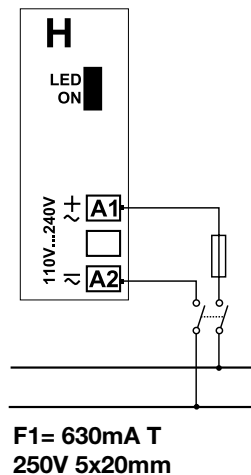
## Wiring diagrams (cont.)



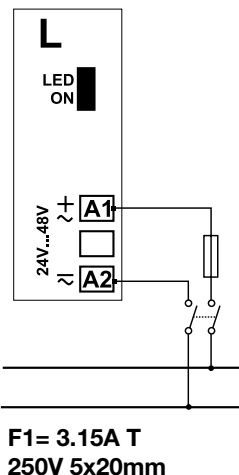
### Wiring diagrams for power supply



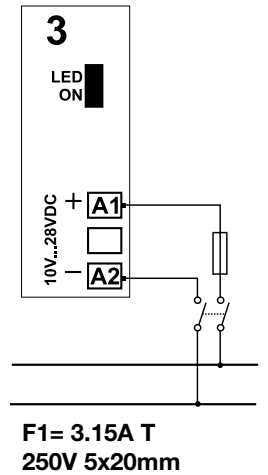
#### BP H: power supply



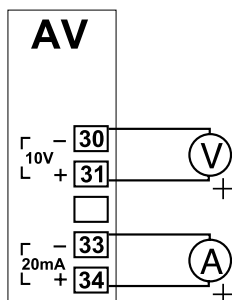
#### BP L: power supply



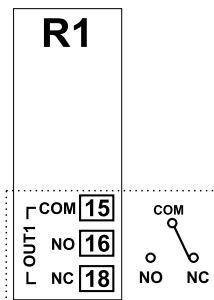
#### BP 3: power supply



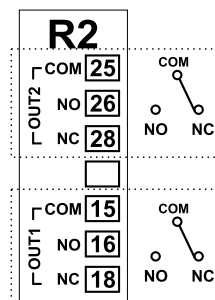
## Wiring diagrams of optional modules



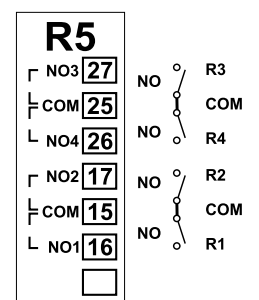
BO AV: analogue output (10V, 20mA DC)



BO R1: 1 relay output

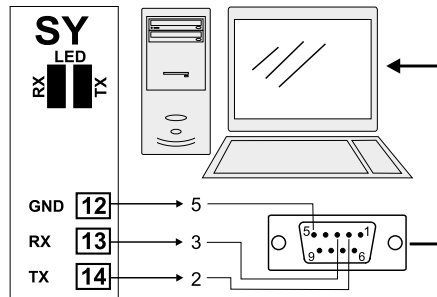
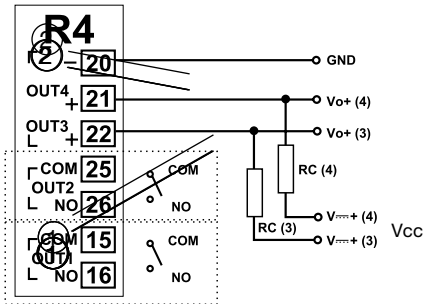


BO R2: 2 relay outputs



BO R5: 4 relay outputs

## Wiring diagrams of optional modules (cont.)



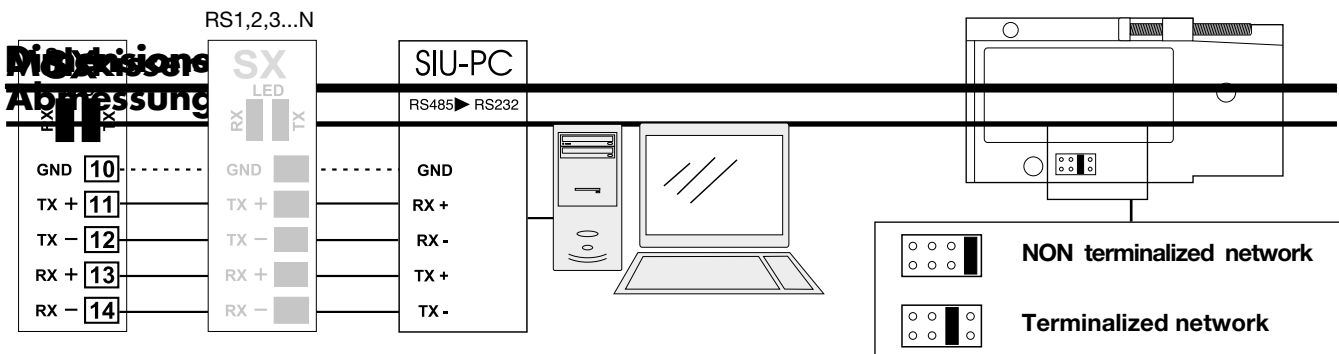
**BO SY:** RS232 direct connection to PC by means of COM port. RS232 has no terminalization.

**BO R4: dual relay output + dual open collector output:** the load resistances (Rc) must be designed so that the close contact current is lower than 100mA; the VDC voltage must be lower than or equal to 30VDC.

VDC: power supply output

Vo+: positive output (open collector transistor).

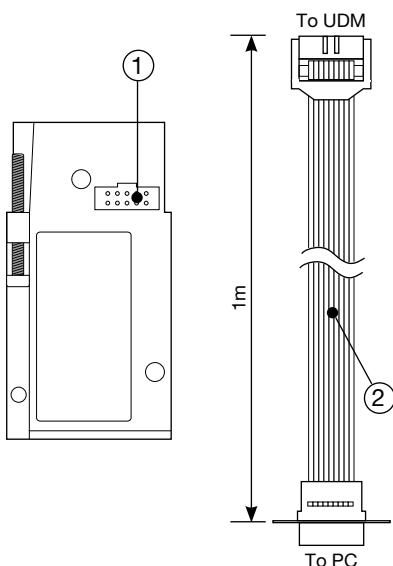
GND: ground (open collector transistor).



**BR SX: RS485 4-wire connection:** additional devices provided with RS485 port (indicated as RS1,2,3...N) are connected in parallel. The termination of the serial port is carried out only on the last instrument of the network. The serial module is provided with a jumper for the termination of the RS485 network as shown in the figure above.

**Note:** particular types of cables or plants may require an external termination. For the network connections use twisted cable type AWG26.

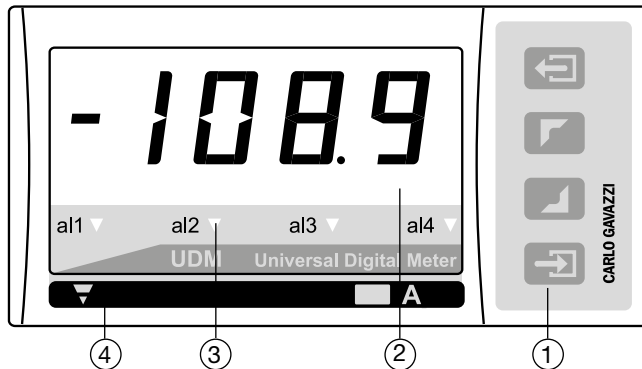
## Programming UDM35 by means of PC



UDM35 is programmable by PC by means of the UdmSoft software (available on request). The user can program all parameters of UDM35 that will be subsequently uploaded and set in the instrument by the RS485 network (BRSX). Should UDM35 be without the RS485 serial module, all programming parameters will be uploaded and set in the instrument by the RS232 auxiliary serial connection (1) located on the side of the measuring input module using the special connection cable (2) available on request, as shown in the figures on the left. It is also possible to program the instrument using the dot connector (1) by means of the HyperTerminal Windows functions of a PC.

**Note:** the RS232 auxiliary port IS NOT insulated from the measuring inputs.

## Front panel description



### 1. Key-pad

The programming of the configuration parameters and the display may be easily controlled by means of the 4 function keys.

: to enter the programming phase and to confirm the password.



- to program values;
- to select functions;
- to scroll display pages.



: for special functions.

### 2. Display

Instantaneous measurements:

- 3 1/2 digit (max display 1999).
  - 4 digit (max display 9999) for tachometer measurements.
- Alphanumeric indications by means of LED display for:
- Display of configuration parameters;
  - The measured variable.

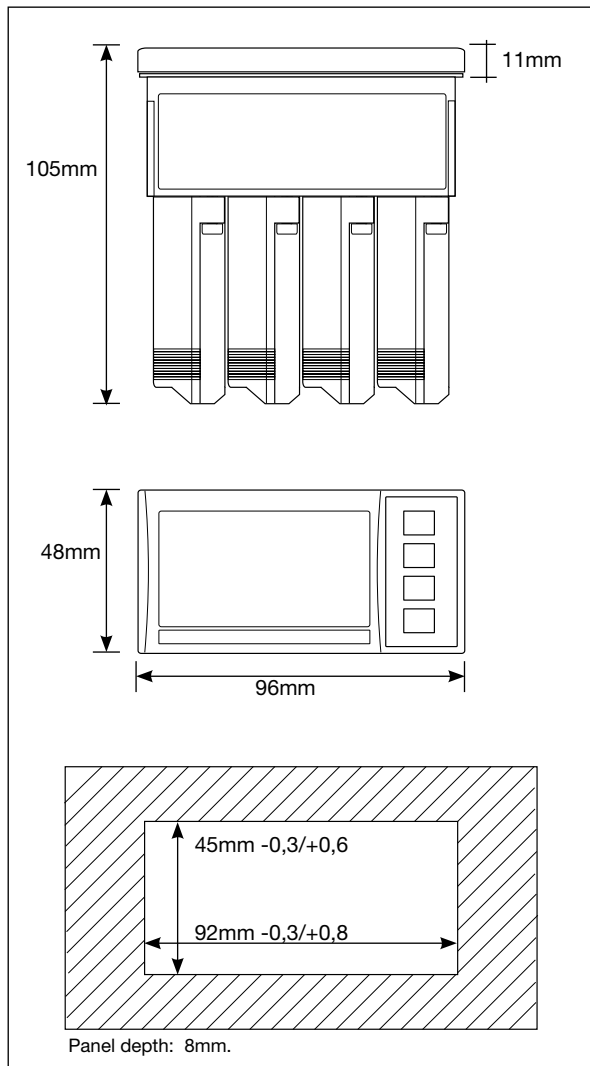
### 3. Alarm status LED

Display any alarm condition

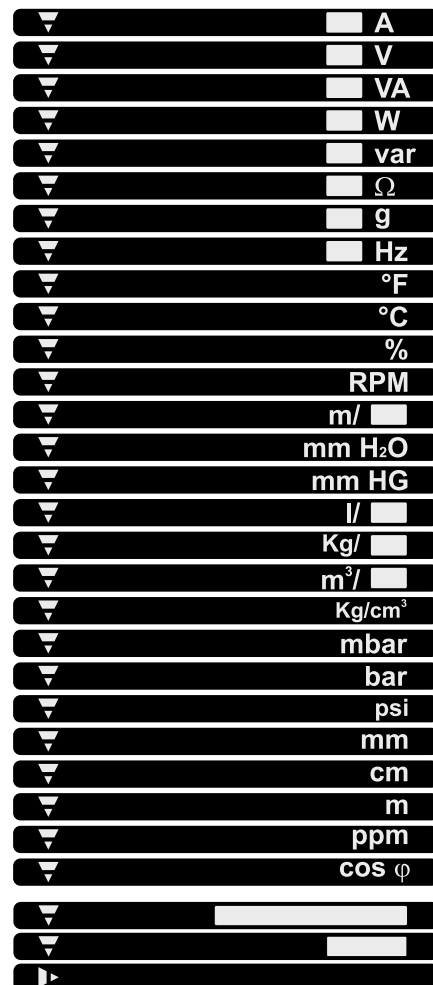
### 4. Engineering unit

The instrument is supplied with a complete set of self-sticking labels with the main engineering units.

## Dimensions

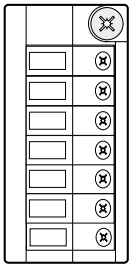


## Engineering Units



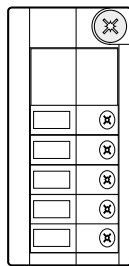
# Modules

## Input modules

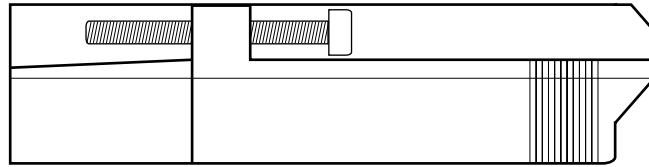


**BQ LSX, BQ LSE, BQ LSF, BQ HSX, BQ TRX, BQ TF1, BQ TF2**  
Measuring inputs

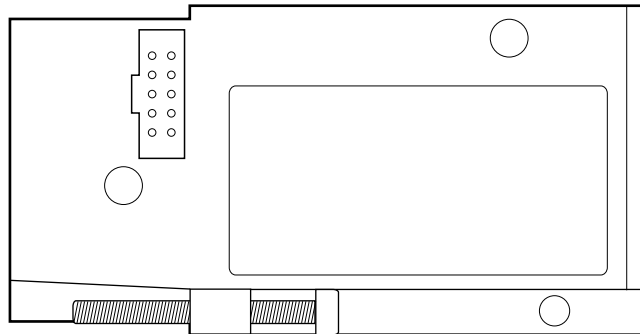
## Output modules



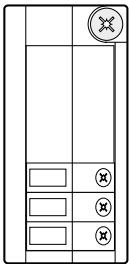
**BO AV**  
Single analogue output 10V, 20mA DC



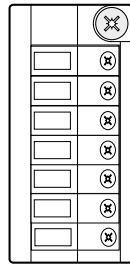
Scale 1:1



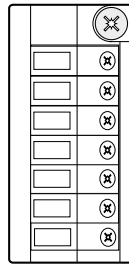
## Output modules



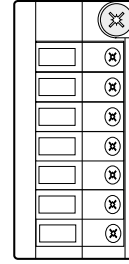
**BO R1**  
Single relay output



**BO R2**  
Dual relay output

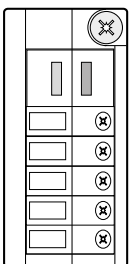


**BO R4**  
Dual relay output +  
Dual open collector

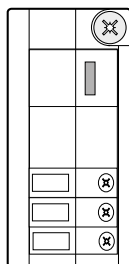


**BO R5**  
4 relay outputs

## Serial port modules

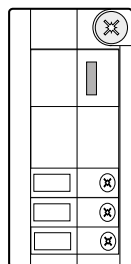


**BR SX**  
RS485 Serial port

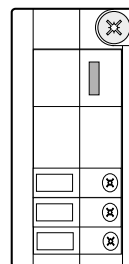


**BR SY**  
RS232 Serial port

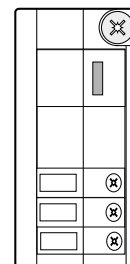
## Power supply modules



**BP H**  
Power supply:  
60 to 260V AC/DC



**BP L**  
Power supply:  
18 to 60V AC/DC



**BP 3**  
Power supply:  
10 to 28V DC