

E83-2050

AC current transducer



Benefits

- **7 selectable input ranges.**
- **LED indication for power supply.**
- **Analogue output.** For easy interface to PLC.
- **Small size.** To fit panels without having to redesign them.

Description

E83-2050 is a small size AC current transducer with built-in current transformer and 4-20 mADC analogue output.

12 mm hole for insulated current wire to easily insert the metered cable (multiple times if needed).

For mounting on DIN-rail or back panel.

Applications

E83-2050 is used in a wide range of applications for HVAC, smart building, machine tools and material handling markets, where a dedicated supervisory control unit manages the system. It allows to transmit motor current for PLC analysis.

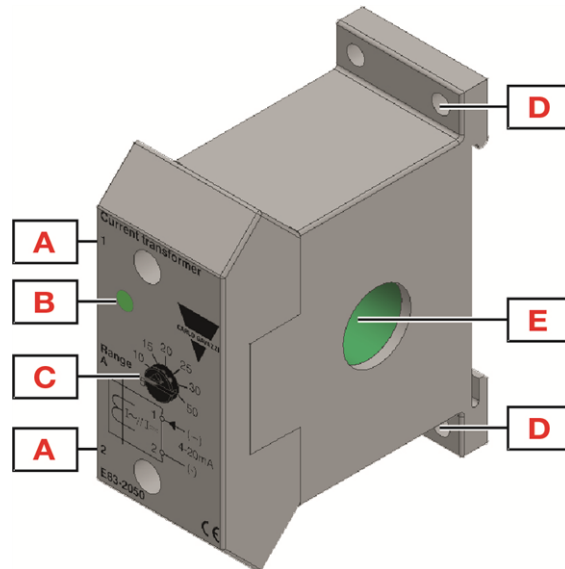
Main features

- Input range up to 50 A.
- 4-20 mADC output.
- Powered by loop voltage.

Order code

 **E83-2050**

Structure



Element	Component	Function
A	Terminals	Analogue output: 1, 2
B	Information LED	Green for device ON
C	Front dial	Input range selection
D	Wall fixing holes	Wall mounting
E	Hole	For current insulated wire

Features

Inputs

	Input current	Switch position
Current ranges	0 - 5 AAC	5
	0 - 10 AAC	10
	0 - 15 AAC	15
	0 - 20 AAC	20
	0 - 25 AAC	25
	0 - 30 AAC	30
	0 - 50 AAC	50
Current measuring	Direct through built-in current transformer	
Maximum current (continuous)	100 A	
Maximum overload current (t = 30 s)	300 A	
Overvoltage category	III (IEC 60664)	
Frequency range	40 Hz - 1 kHz	

Note: it is possible to measure currents below the nominal range by drawing the conductor through the hole several times. If the conductor is drawn through the central hole e.g. 5 times, the transformer will measure 5 AAC when the current in the conductor is 1 AAC.

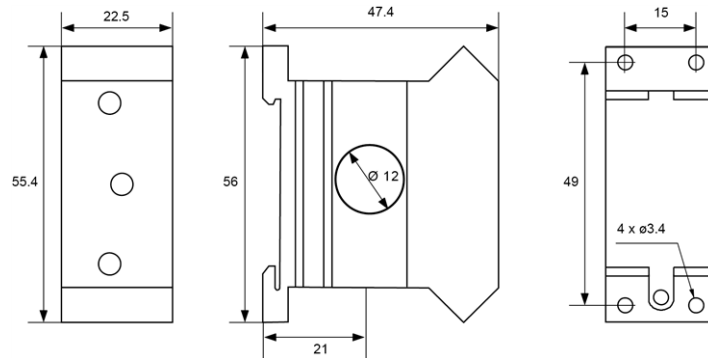
Outputs

Output current (sink)	4-20 mADC
Maximum output current	30 mADC
Tolerance of output current	± 2% @ 50 Hz
Temperature variation	± 400 ppm/°C
Frequency variation	10 ppm/Hz
Power supply (loop voltage)	10 - 40 VDC

General

Material	Polycarbonate or Polycarbonate/ABS Alloy
	Flammability rating: HB according to UL 94
Colour	RAL7035 (light grey)
Dimensions (W x H x D)	22.5 x 55.4 x 47.4 mm (0.89 x 2.18 x 1.87 in)
Weight	70 g (2.47 oz)






Terminals	Cable size from 1 to 1.5 mm ² (AWG18 to AWG16), stranded or solid
Tightening torque	Max. 0.5 Nm (4.425 lbin)
Terminal type	Screw terminals



Environmental

Operating temperature	-20 to 50 °C (-4 to 122 °F)
Storage temperature	-30 to 70 °C (-22 to 158 °F)
Relative humidity	5 - 95% non condensing
Protection degree	IP20
Pollution degree	3
Operating max altitude	2000 m amsl (6560 ft)
Salinity	Non saline environment

Compatibility and conformity

Marking	 
Directives	2014/35/EU (LVD - Low voltage) 2014/30/EU (EMC - Electromagnetic compatibility)
Standards	Insulation coordination: EN 60664-1 Immunity: EN61000-6-2 Emission: EN61000-6-3 
Approvals	 

Operating description

Device configuration

The standardized 4-20 mADC output makes E83-2050 very useful as an AC current interface to a PLC with 4-20 mADC input. Used with relays DIB01, PIB01, DIC01 or PIC01, one or more setpoints can monitor the current and signal alarm. In the 5 A range the E83-2050 is often used as a 4-20 mADC signal converter for larger standard AC current transformers with 5 AAC secondary output.

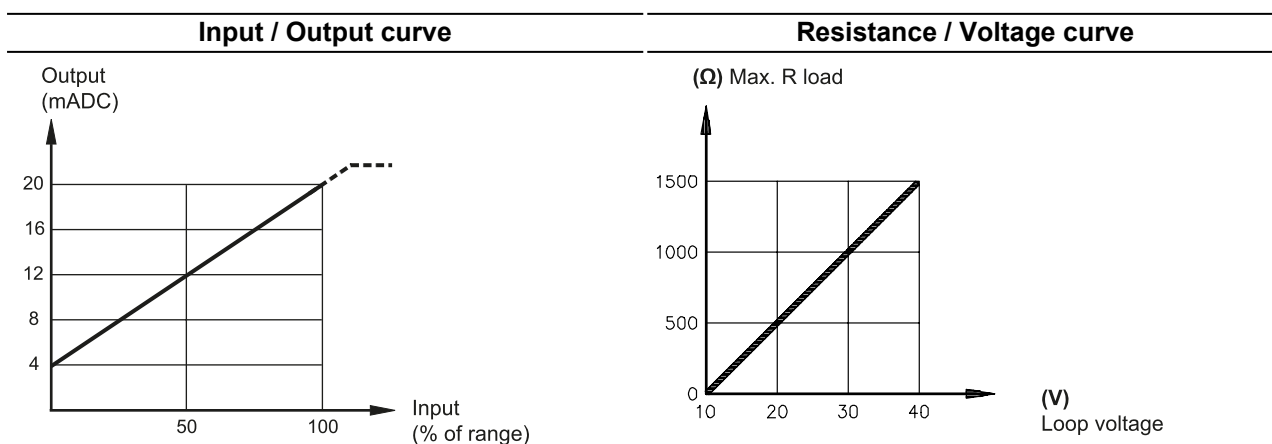
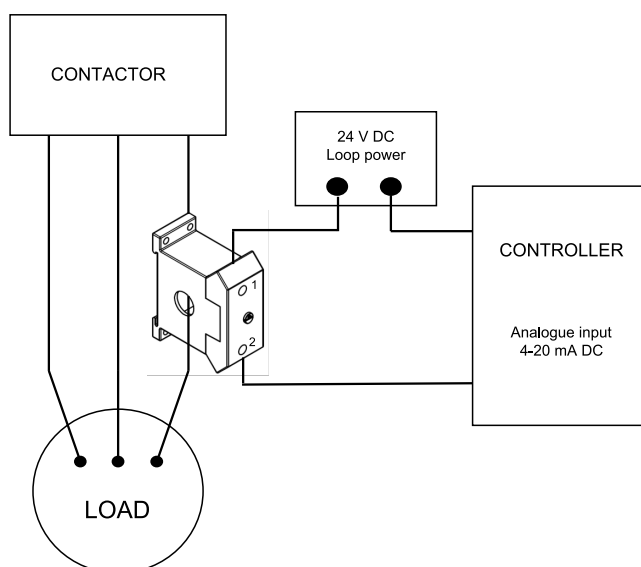


Fig. 1 Max. load resistance versus loop voltage

Connection diagram



References

Further reading

Information	Document	Where to find it
Installation manual	E83-2050	https://gavazziautomation.com/images//PIM/MANUALS/ENG/A82-E83-MI-MP_IM.pdf



COPYRIGHT ©2022

Content subject to change. Download the PDF: www.gavazziautomation.com