

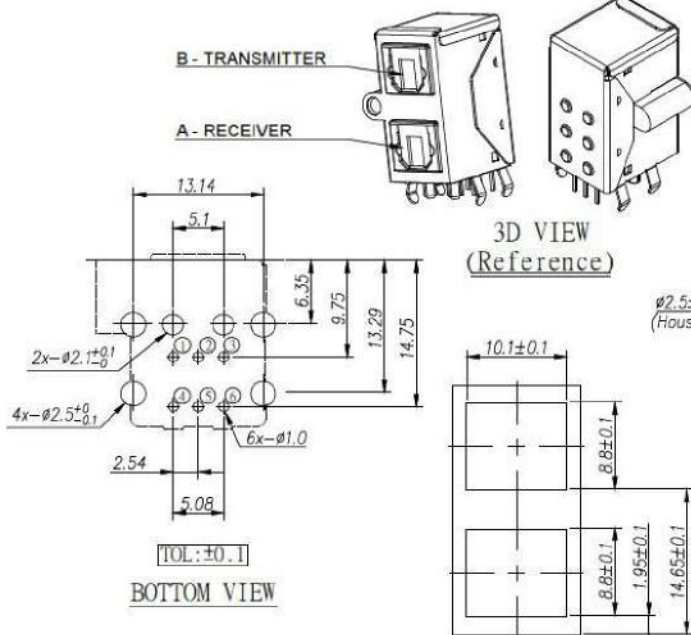
Datasheet

RS PRO OPTICAL JACK TRANSCEIVER

Stock No: 2523001



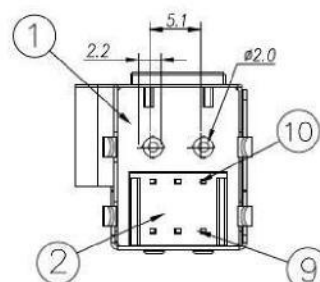
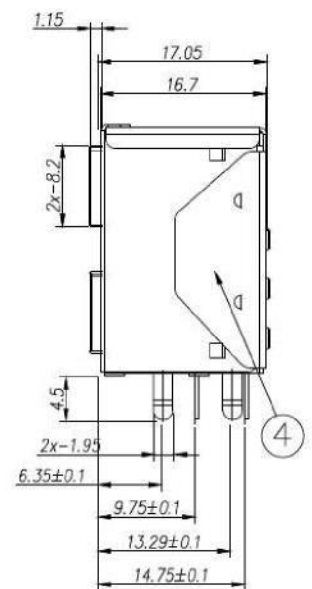
SEE SEPARATE PDF FOR SPECIFICATION DETAILS



NO.	I.C.	COVER COLOR	REMARK
B	Transmitter	BLACK	L=24.1
A	Receiver	BLACK	L=8.85

NO.	PART NAME	QTY	MATERIAL	PLATED/COLOR	REMARK
10	IC	1			See Table
9	IC	1			See Table
8	COVER	2	NYLON	See Table	
7	SPRING	1	SWPA	BLACK	φ=0.25
6	TOP COVER	2	NYLON	BLACK	
5	INNER CYLINDER	2	NYLON	BLACK	
4	BACK COVER-2	1	C2680R-H	BRIGHT Sn: 3~4 μm	t=0.35
3	FRONT COVER-1	1	C2680R-H	BRIGHT Sn: 3~4 μm	t=0.35
2	BACK COVER	1	P.B.T	BLACK	
1	BODY	1	P.B.T	BLACK	

rspro.com



Receiver		Transmitter	
Vcc	①	Vin	④
GND	②	Vcc	⑤
Vout	③	GND	⑥

GENERAL TOLERANCE ±0.3



rspro.com





rspro.com

