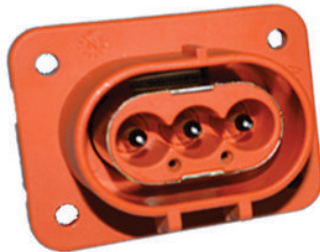


Amphenol



ePower-Lite Series

www.amphenol-industrial.com



ABOUT US

Amphenol Industrial Operations

Amphenol Industrial Operations (AIO), headquartered in a 30,000 square foot facility in Endicott, N.Y., provides a full range of high reliability power/signal connectors and interconnection systems specifically for the industrial markets including rail/mass transit, process control, automotive manufacturing, heavy equipment, wireless base stations and power generation. Products include ruggedized-for-industry cylindrical, fiber optic, rectangular, and industrialized versions of Amphenol's MIL-DTL-5015 cylindrical, MIL-DTL-26482 miniature cylindrical and GT reverse bayonet cylindrical connectors. The facility is both ISO9001 certified and qualified to MIL-STD-790 requirements.



Endicott Factory

Amphenol is one of the largest manufacturers of interconnect products in the world

The company designs, manufactures and markets electrical, electronic and fiber optic connectors, coaxial and flat-ribbon cable, and interconnect systems. Amphenol has long been the accepted leader in providing quality connectors and interconnect systems to the Industrial, Military and Telecommunication markets.



Zhuhai Factory 1

Amphenol Technology (Zhuhai) Co., Ltd.

Established in 2007, Amphenol Technology (Zhuhai) Co., Ltd. is a manufacturing facility for Amphenol Industrial Operations, which serves a number of industrial markets, included but not limited to Factory Automation, Transportation, Heavy Equipment, Alternative Energy, Energy Storage, Server/Data Comm and Power Distribution.

Amphenol Technology (Zhuhai) Co., Ltd. covers an area of 28,470m² and is equipped with CNC, plating, injection molding and assembly workshops. This plant specializes in the design and manufacturing of industrial connectors featuring high power, high density, medium to high voltage electrical properties, and harsh environment applications.

With industry leading engineering, design, and manufacturing expertise, Amphenol Technology (Zhuhai) Co., Ltd. has earned more than 30 utility patents on its innovative interconnects. Many of the products produced have been certified by independent standards including UL, IEC/TUV, ATEX, IECEx and MA. The facility is also certified to ISO 9001, ISO 14001 and IATF 16949.



Zhuhai Factory 2

ePower-Lite Connector

ePower-Lite is a plastic power connector series designed to be used in the hybrid electric vehicle and heavy equipment markets. The 2-pole, 3-pole and 4-pole connectors incorporate patented RADSOK® technology which provides higher amperage, lower T-rise and voltage drop, and less resistance. RADSOK's twisted grid configuration allows for up to 50% more current to pass through the same size pin, while providing increased reliability and cycle durability, as well as lower mating forces.

The compact plastic shell structure is light weight with a small footprint. There is a 3.6mm and 5.7mm version which can carry current up to 70A to 120A, field installable and repairable. We also offer a low cost alternative as our ePower-Lite Mini version which is a fit for low speed markets and low cost requirements. These attributes make the ePower-Lite robust and the interconnect of choice for the EV and Fuel Cell Vehicle markets.



Markets and Applications

- Hybrid/Electric Vehicle
- Heavy Equipment
- Battery Pack
- PDU
- Air Compressor Controller (Fuel Cell Application)



PRODUCT OVERVIEW

- 3.6mm, 5.7mm, Mini Version: 25A to 120A application
- 2-Way, 3-Way, 4-Way
- Waterproof: IP67
- RADSOK® R4 Technology
- Flammability: UL 94 V-0
- EMI Shielding and HVIL: Optional



Technical Data

Description		Contact Size	RADSOK® Size				
		2.8mm	3.6mm			5.7mm	
		2-pole	2-pole	3-pole	4-pole	2-pole	3-pole
Rating Voltage	1000V DC	√	√	√	√	√	√
Current Rating	/	30A max	25A~70A	25A~70A	25A~70A	100A~120A	100A~120A
Operating Temperature	- 40°C~125°C	√	√	√	√	√	√
Sealing	IP67(Mated)	√	√	√	√	√	√
Flammability	UL 94 V-0	√	√	√	√	√	√
Locking	Secondary Locking	√	√	√	√	√	√
	CPA	√	√	√	√	√	√
RoHS Compliant	Yes	√	√	√	√	√	√
EMI Shielding	EMI Option	√	√	√	√	√	√
HVIL Function	HVIL Option	√	√	√	√	√	√
Protection	IPXXB	√	√	√	√	√	√
Durability	>=100 cycles	√	√	√	√	√	√

3.6mm ePower-Lite Series

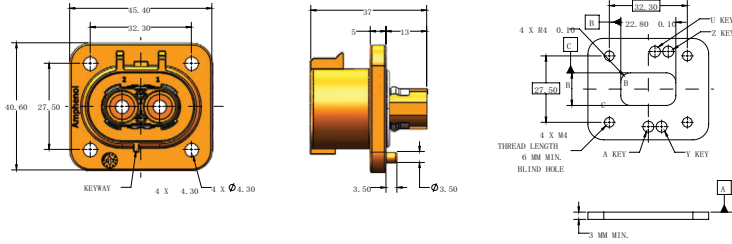


- Plastic shell, light weight
- Compact design for space considerations with EVs
- Wide amperage range up to 70A
- Low mating/un-mating force
- Durability: 100 min. cycles
- Touch-proof: IP 2XB (IEC 60529)
- Flammability: UL 94V-0
- HVIL (High Voltage Interlock Loop)
- EMI shielding
- IP67 & IP69K when mated
- RoHS compliant
- 2-pole, 3-pole, 4-pole version

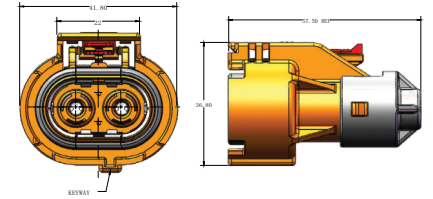
Technical Data

Current Rating	25A (2.5mm) ² 35A (4mm) ² 50A (6mm) ² 70A (10mm) ²	Test Voltage (Sea Level)	3000V AC (RMS)	Ingress Protection	IP67& IP69K(Mated)	Touch-Proof	Yes
Contact Size	3.6mm	Operating Temperature	-40°C to 125°C	EMI	360°	HVIL	Yes
Operating Voltage	860V AC(Max.) 1000V DC(Max.)	Durability	100(Min.) Mating Cycles	Flammability	UL94V-0	Recommended Torque	Receptacle assembly to panel: 0.5~0.7N.M

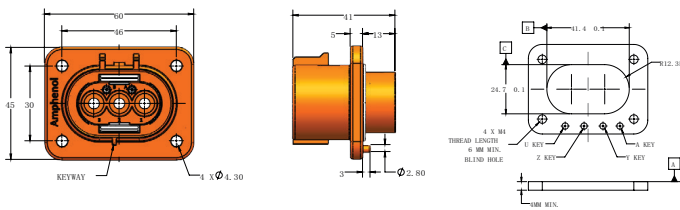
2-Pole Electrical Receptacle with HVIL & Shielding Shell



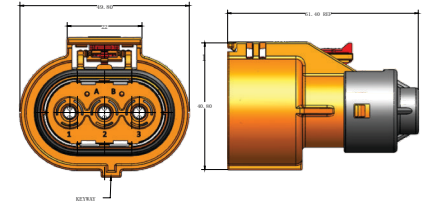
2-Pole Electrical Plug with HVIL & Shielding Shell



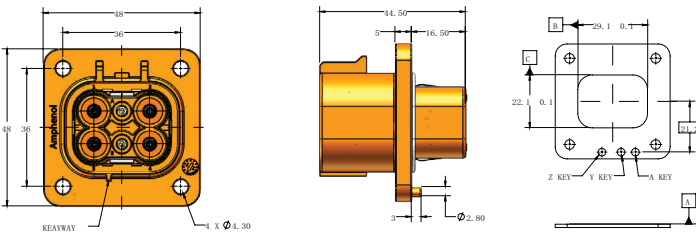
3-Pole Electrical Receptacle with HVIL & Shielding Shell



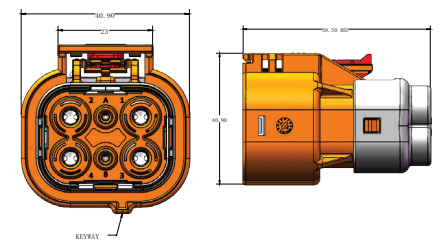
3-Pole Electrical Plug with HVIL & Shielding Shell



4-Pole Electrical Receptacle with HVIL & Shielding Shell



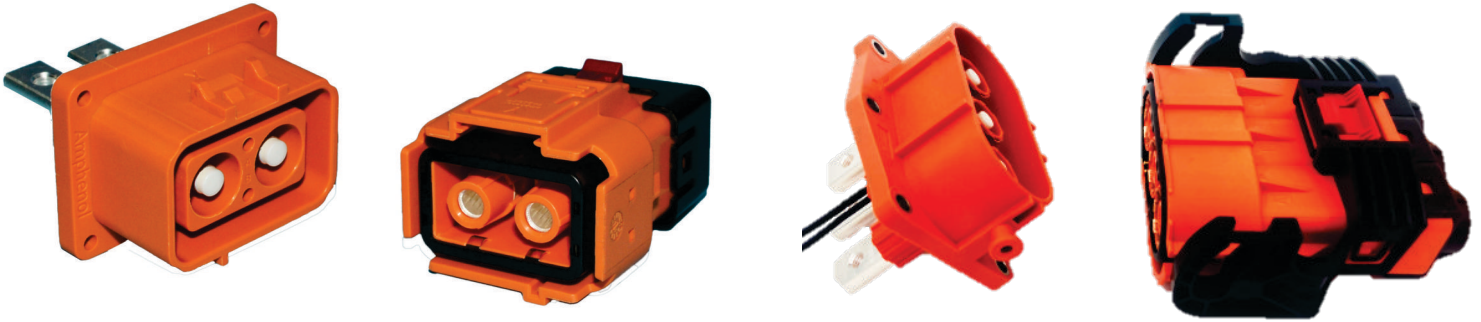
4-Pole Electrical Plug with HVIL & Shielding Shell



How to Order

Product Series	Connector Type		RADSOK® Size	Pole Number		Keyway		Crimped Wire Size		EMI & HVIL (Omit for EMI & HVIL option)	
EL	P	Plug	3.6mm	2	2-Pole	A	Key A	1	2.5mm ²		Yes EMI & No HVIL
				3	3-Pole	Y	Key Y	2	4mm ²	1	Yes EMI & No HVIL
	R	Receptacle		4	4-Pole	Z	Key Z	3	6mm ²	10	No EMI & Yes HVIL
						U	Key U	4	10mm ²	11	No EMI & HVIL

5.7mm ePower-Lite

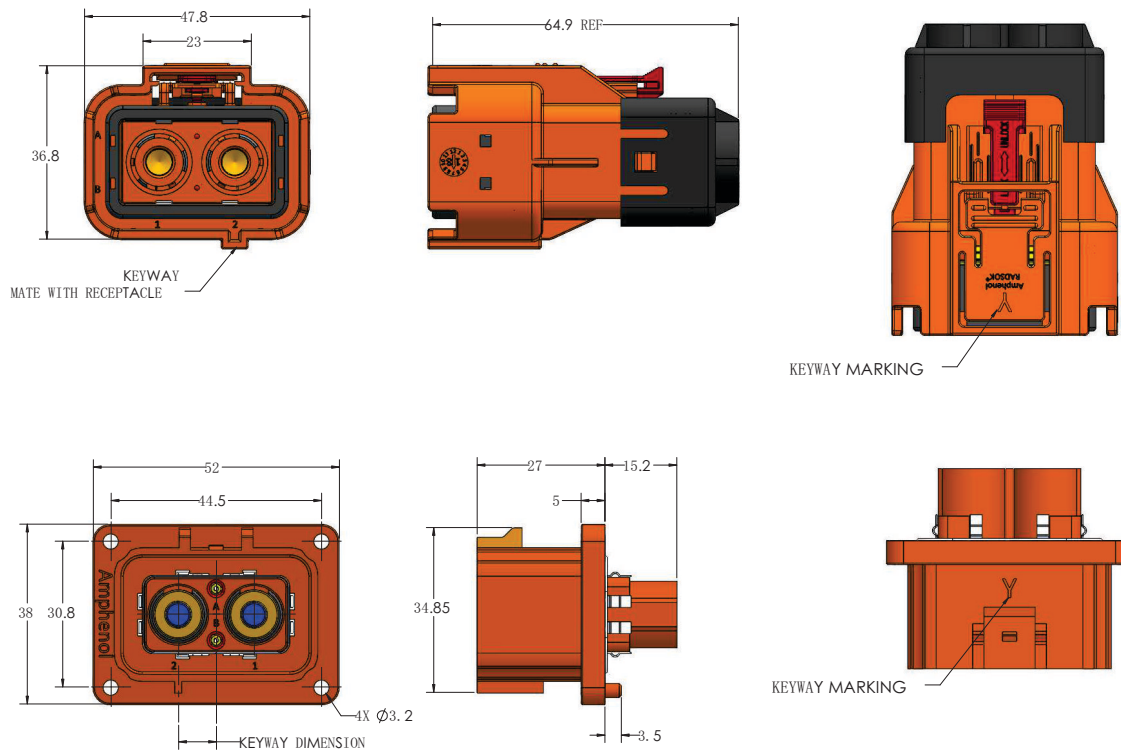


- High current, 120A max. rated current
- EMI shielding
- HVIL (High Voltage Interlock Loop)
- R4 RADSOK® technology
- IP67 (when mated)
- Quick lock and push to release design
- Keyway design to prevent incorrect mating
- Compact robust design
- UL94 V-0 (self extinguishing)
- Wide operating temperature range (-40°C to 125°C)

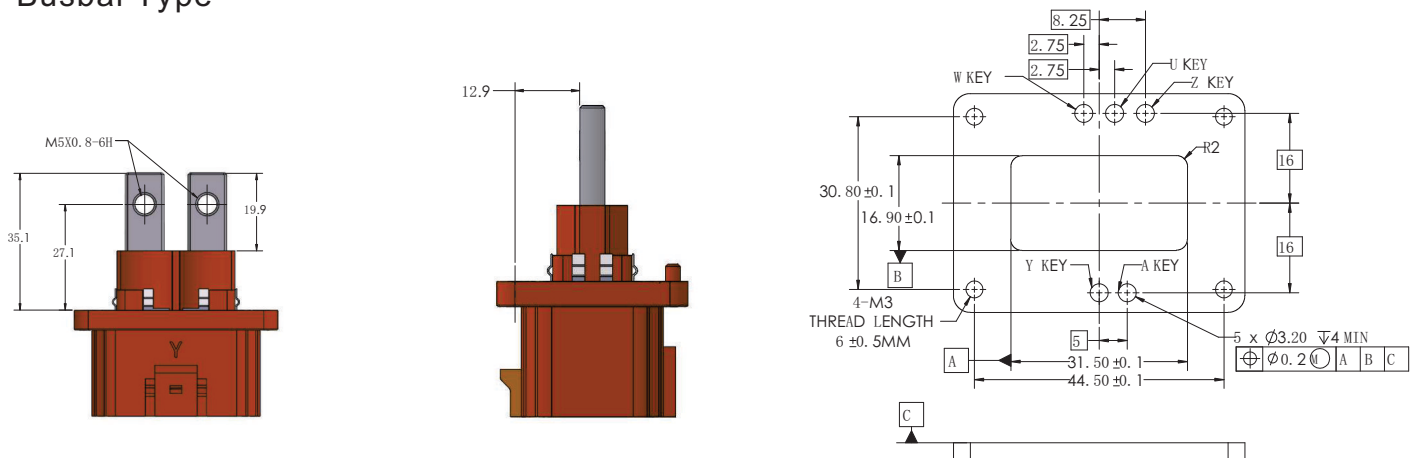
Technical Data			
Contact Test Current	16mm ² (Max.100A) 25mm ² (Max.120A)	Test Voltage (Sea Level)	2500V AC (RMS)
		Operating Temperature	-40°C to 125°C
		Operating Voltage	600V AC or 800V DC
Number of Poles	2-Pole, 3-Pole	Touch-Proof	IEC 60529
		Durability	100 (Min.) Mating Cycles
Contact Size	5.7mm	Salt Spray	IP67 Mated
		HVIL	96H
		Recommended Torque	M3: 0.3~0.6N.M

Termination Type

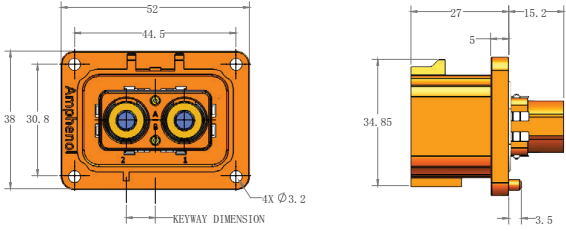
Crimp Type



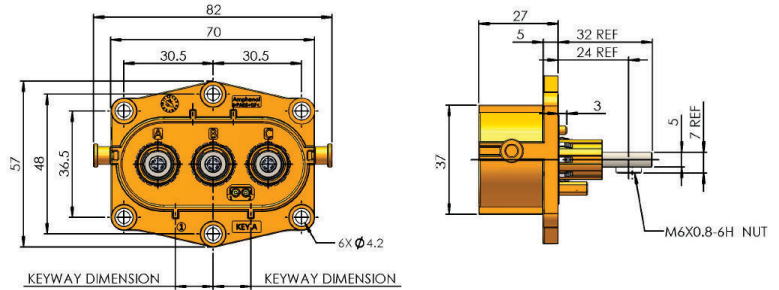
Busbar Type



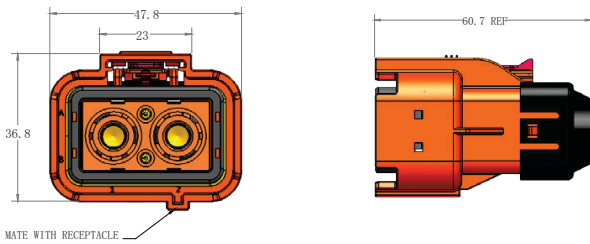
2-Pole Electrical Receptacle with HVIL & Shielding Shell



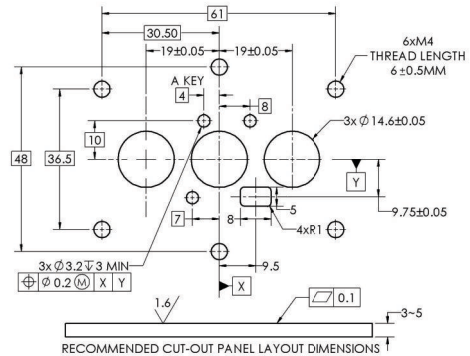
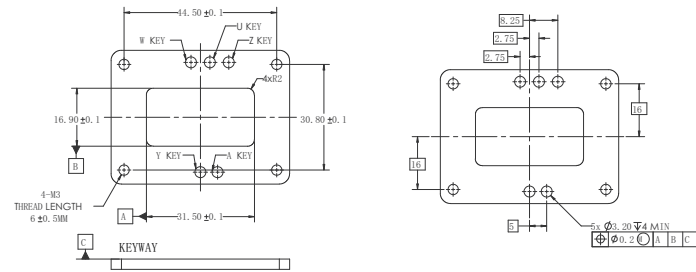
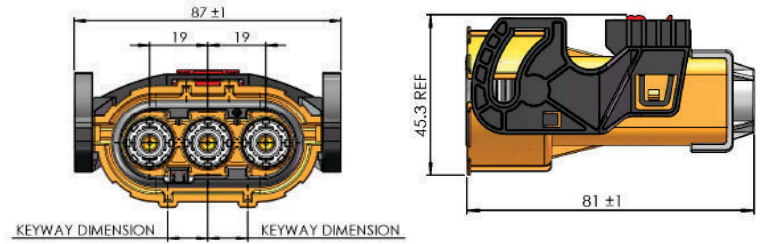
3-Pole Electrical Receptacle with HVIL & Shielding Shell



2-Pole Electrical Plug with HVIL & Shielding Shell



3-Pole Electrical Plug with HVIL & Shielding Shell

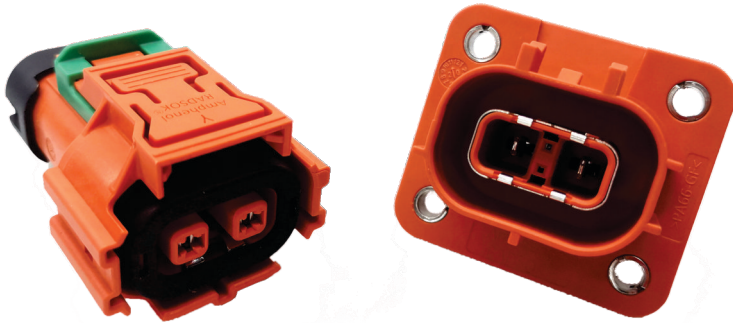


How to Order

Product Series	Connector Type		RADSOK® Size		Pole Number		Keyway		Crimped Wire Size		EMI & HVIL (Omit for EMI & HVIL option)	
	P	Plug	A	5.7mm	2	2-Pole	A	Key A	16	2.5mm ² (For plug & receptacle)		EMI & HVIL
EL	R	Receptacle			3	3-Pole	Y	Key Y	25	4mm ² (For plug & receptacle)	1	Yes EMI & No HVIL
							Z	Key Z	3	Busbar (For receptacle)	10	No EMI & Yes HVIL
							U*	Key U			11	No EMI & HVIL
							W*	Key W				

* Available for 2-pole only

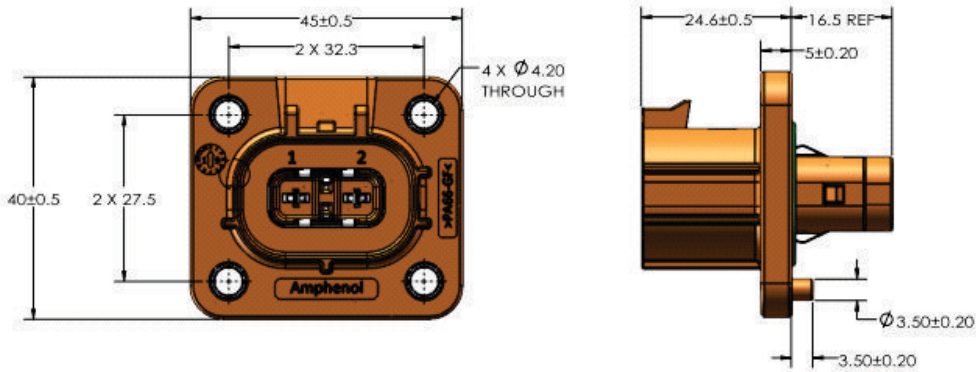
ePower-Lite Mini



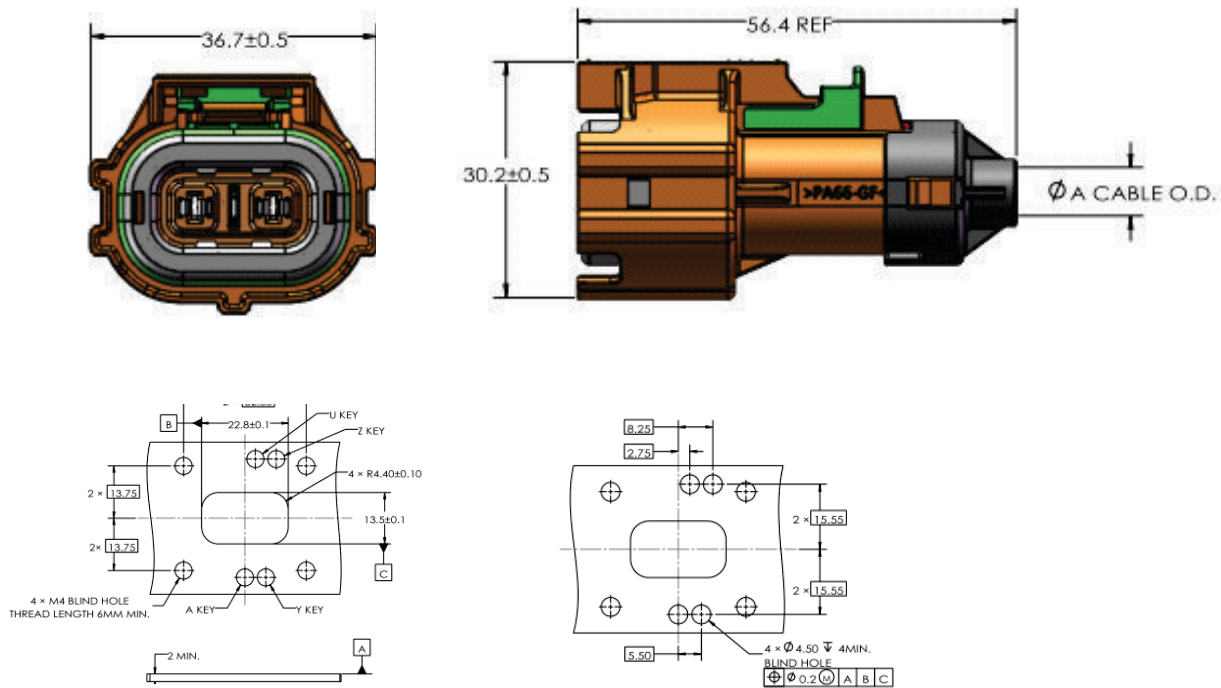
- Plastic shell, light weight
- Compact design for space considerations with EVs
- Wide amperage range up to 30A
- Low mating/un-mating force
- Durability: 100min. cycles
- Touch-proof: IP 2XB (IEC 60529)
- Flammability: UL 94V-0
- HVIL (High Voltage Interlock Loop)
- EMI shielding
- IP67 & IP69K when mated
- RoHS compliant
- 2-pole version

Technical Data			
Contact Test Current	20A (2.5mm ²) 30A (4mm ²)	Test Voltage (Sea Level)	2200VAC (RMS)
		Operating Temperature	-40°C to 125°C
		Operating Voltage	600V AC
Number of Pole	2-Pole	Touch Proof	IEC 60529
		Durability	100(Min.) Mating Cycles
		Ingress Protection	IP67 Mated
Contact Termination	Crimp	Salt Spray	96H
		EMI / HVIL	Yes
		Recommended Torque	M4:3N.M

2-Pole Electrical Receptacle with HVIL & Shielding Shell



2-Pole Electrical Plug with HVIL & Shielding Shell



How to Order

Product Series	Connector Type		RADSOK® Size		Pole Number		Keyway		Crimped Wire Size		EMI & HVIL (Omit for EMI & HVIL option)			
	P	Plug												
EL	R	Receptacle	M	MCP 2.8mm	2	2-Pole	A	Key A	1	2.5mm ²		EMI & HVIL		
								Y	Key Y	2	4.0mm ²	1	Yes EMI & No HVIL	
									Z	Key Z	3	6.0mm ²	10	No EMI & Yes HVIL
									U	Key U	4	10.0mm ²	11	No EMI & HVIL

North America

Amphenol Industrial Operations
20 Valley Street
Endicott, NY 13760-3600
USA
Tel: +1-888-364-9011
Fax: +1-520-397-7169
www.amphenol-industrial.com
Email: tech@amphenol-aio.com

Asia

Amphenol Technology (Zhuhai) Co., Ltd.
No.63, Xinghan Road, Sanzao Town,
Jinwan, Zhuhai, 519040
China
Tel: +86-756-398 9725
Fax: +86-756-398 9768
www.amphenol-industrial.com
Email: tech@amphenol-aio.com

IB-13-1

Notice: Specifications are subject to change without notice. Contact your nearest Amphenol Corporation Sales Office for the latest specifications. All statements, information and data given herein are believed to be accurate and reliable but are presented without guarantee, warranty, or responsibility of any kind expressed or implied. Statements or suggestions concerning possible use of our products are made without representation or warranty that any such use is free of patent infringement and are not recommendations to infringe any patent. The user should not assume that all safety measures are indicated or that other measures may not be required. Specifications are typical and may not apply to all connectors.