

15

1502 08

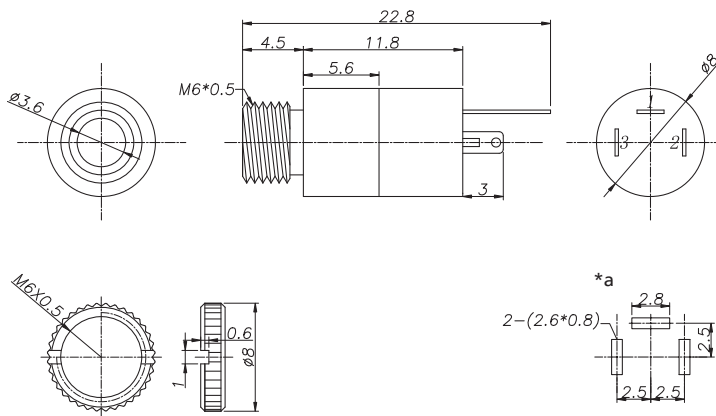
Jack connectors



Jack chassis socket acc. to JIS C 6560 JC35J3A, 3.5 mm, 3 poles/stereo, with solder eyes, for printed circuit boards, for back side mounting

15

1502 08



Environmental conditions

Temperature range -20 °C/+70 °C

Materials

Insulating body PBT, V-0 according to UL94
 Contact CuSn/CuZn, silver-plated/tin-plated
 Housing CuZn, nickel-plated
 Knurled nut CuZn, nickel-plated

Mechanical data

Mating cycles 5000
 Insertion force 3–30 N
 Withdrawal force 3–30 N

Electrical data (at T_{amb} 20 °C)

Contact resistance ≤ 30 mΩ
 Rated current 1 A
 Rated voltage 34 V
 Rated impulse voltage 500 V/60 s
 Insulation resistance ≥ 100 MΩ

Associated products

Counterparts
 ☞ 1532 07 ☞ KLS 40 ☞ KLS 44
 ☞ WKLS 40

*a printed circuit board layout



15

1502 08

Designation	Pole Number	PU (Pieces)	MDQ (Pieces)
1502 08	3	100	500

Packaging:

in bulk, in a cardboard box or a plastic bag