

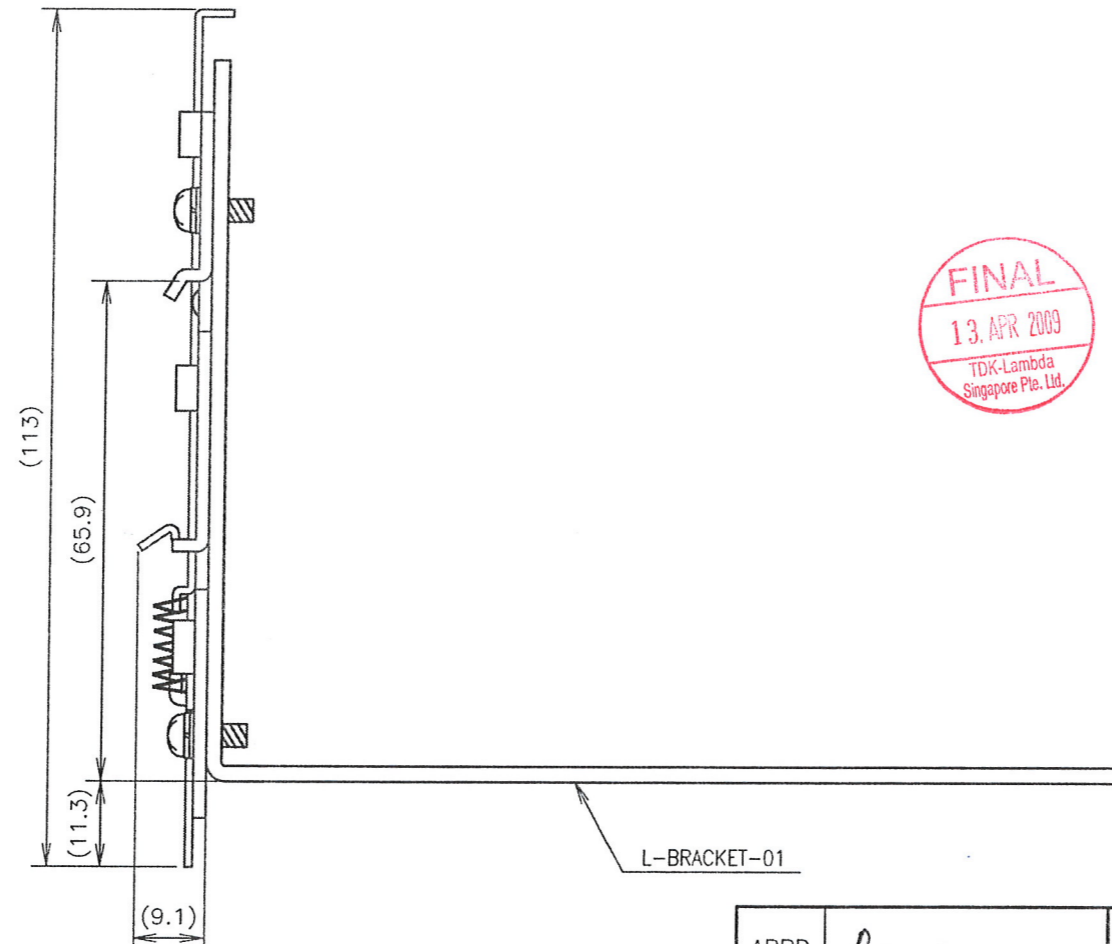
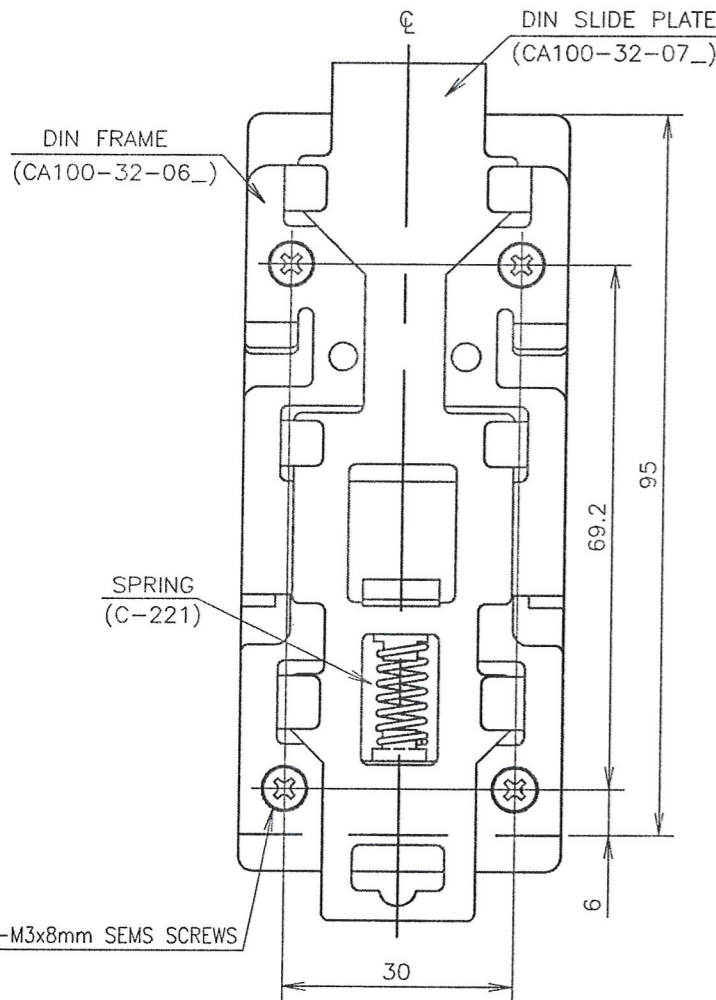
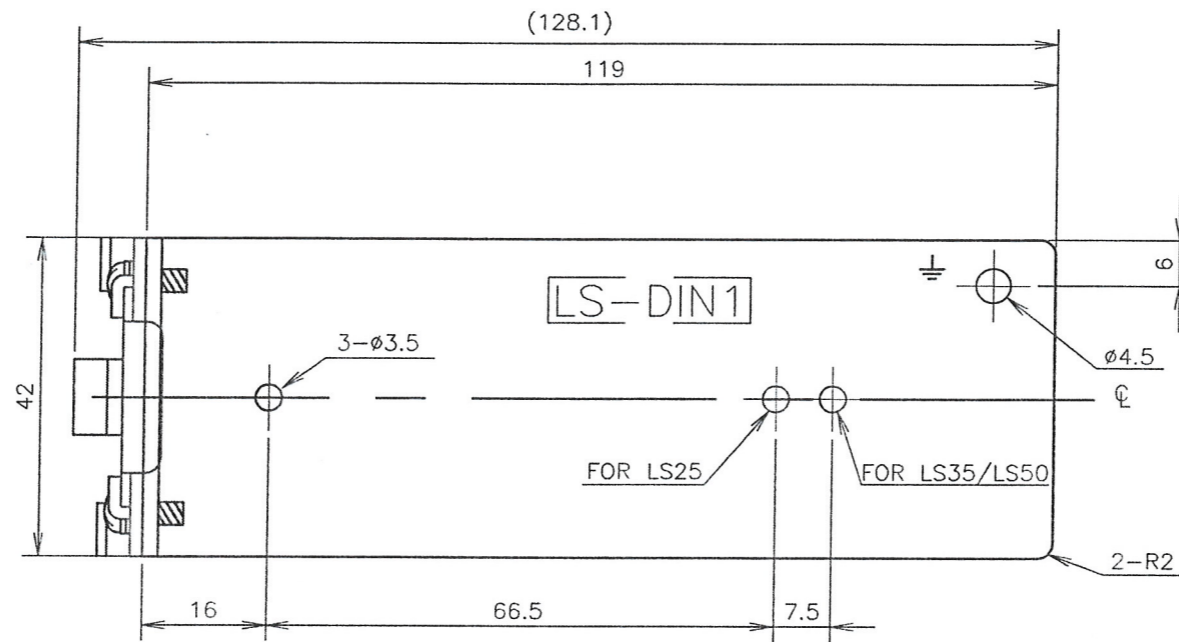
This is uncontrolled copy when without Authorized Mark on the printed drawing. Verification of the latest version shall be conducted by PLM system.

Unless otherwise specified dimensional tolerance as follows:	
DIMENSION (mm)	TOLERANCE ±mm
1-16	0.1
16.1-63	0.2
63.1-250	0.3
250.1-1000	0.5

D	REV	CONTENTS	DATE	ENGR	CHK	APPD
-	-1	NEW RELEASE	9/4/06	DEWIS	ychei	Ramak

**RoHS Compliance**

REFER TO TL GROUP GREEN PROCUREMENT GUIDE LINE (DL-EMS-010\_).



**PARTS LIST**

PARTS LIST	CATALOG No.	NET	MANUFACTURE
1 DIN FRAME	CA100-32-06_ (ONWARD CA100-32-06C)	1	T-L
2 DIN SLIDE PLATE	CA100-32-07_ (ONWARD CA100-32-07C)	1	T-L
3 L-BACKET-01	PA900-00-64_	1	T-L
4 SPRING	C-221	1	KATO SPRING
5 SCREWS	M3x8mm SEMS	4	T-L

**FINAL**  
 13. APR 2009  
 TDK-Lambda  
 Singapore Pte. Ltd.

APPD	Ramak	SCALE	1/1	MATERIALS	TITLE	LS-DIN1(LS25/35/50)
CHK	ychei	UNITS	mm	FINISH	DRAWING No.	PA900-00-67 - [ ]
ENGR	DEWIS	ANGLE	3RD ANGLE PROJECTION	<b>TDK-Lambda</b>		