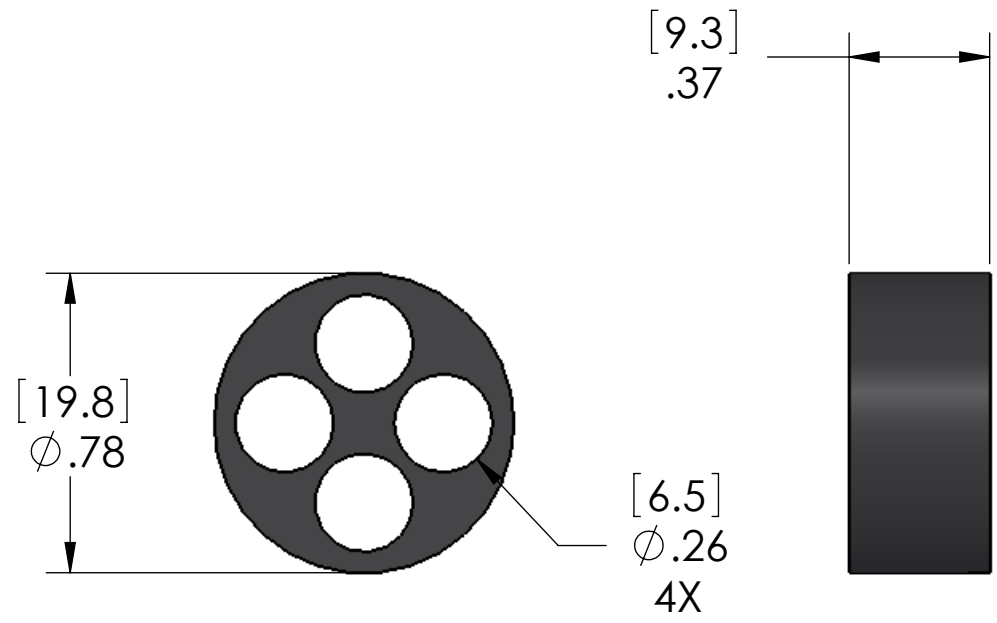


8 7 6 5 4 3 2 1

REVISIONS			
REV.	DESCRIPTION	DATE	APPROVED
A	DRAWN IN SW	6/8/2016	JJH



IP RATING OF IP 65 WHEN USED WITH CABLES WITH DIAMETERS OF 6.0 - 7.0mm AND USED IN ONE OF THE CABLE GLANDS LISTED BELOW

CABLE GLAND TYPES		
BRASS	GRAY PLASTIC	BLACK PLASTIC
Part #	Part #	Part #
MCG-M25	PCGU-M25	PCGU-M25-B

MATERIAL: TPE

PROPRIETARY AND CONFIDENTIAL
THE INFORMATION CONTAINED IN THIS DRAWING IS THE SOLE PROPERTY OF MENCOM CORPORATION. ANY REPRODUCTION IN PART OR AS A WHOLE WITHOUT THE WRITTEN PERMISSION OF MENCOM CORPORATION IS PROHIBITED.

UNLESS OTHERWISE SPECIFIED:
DIMENSIONS ARE IN INCHES
TOLERANCES:
FRACTIONAL ± 1/64
ANGULAR: MACH ± 5° BEND ± 5°
TWO PLACE DECIMAL ± .01
THREE PLACE DECIMAL ± .004

MATERIAL
FINISH
DO NOT SCALE DRAWING

NAME
DRAWN
CHECKED
ENG APPR.
MFG APPR.
Q.A.
COMMENTS:

MENCOM CORPORATION

TITLE:

SIZE **B** DWG. NO. **M25-4X6.5** REV **A**

SCALE: 2:1 WEIGHT: SHEET 1 OF 1

8 7 6 5 4 3 2 1