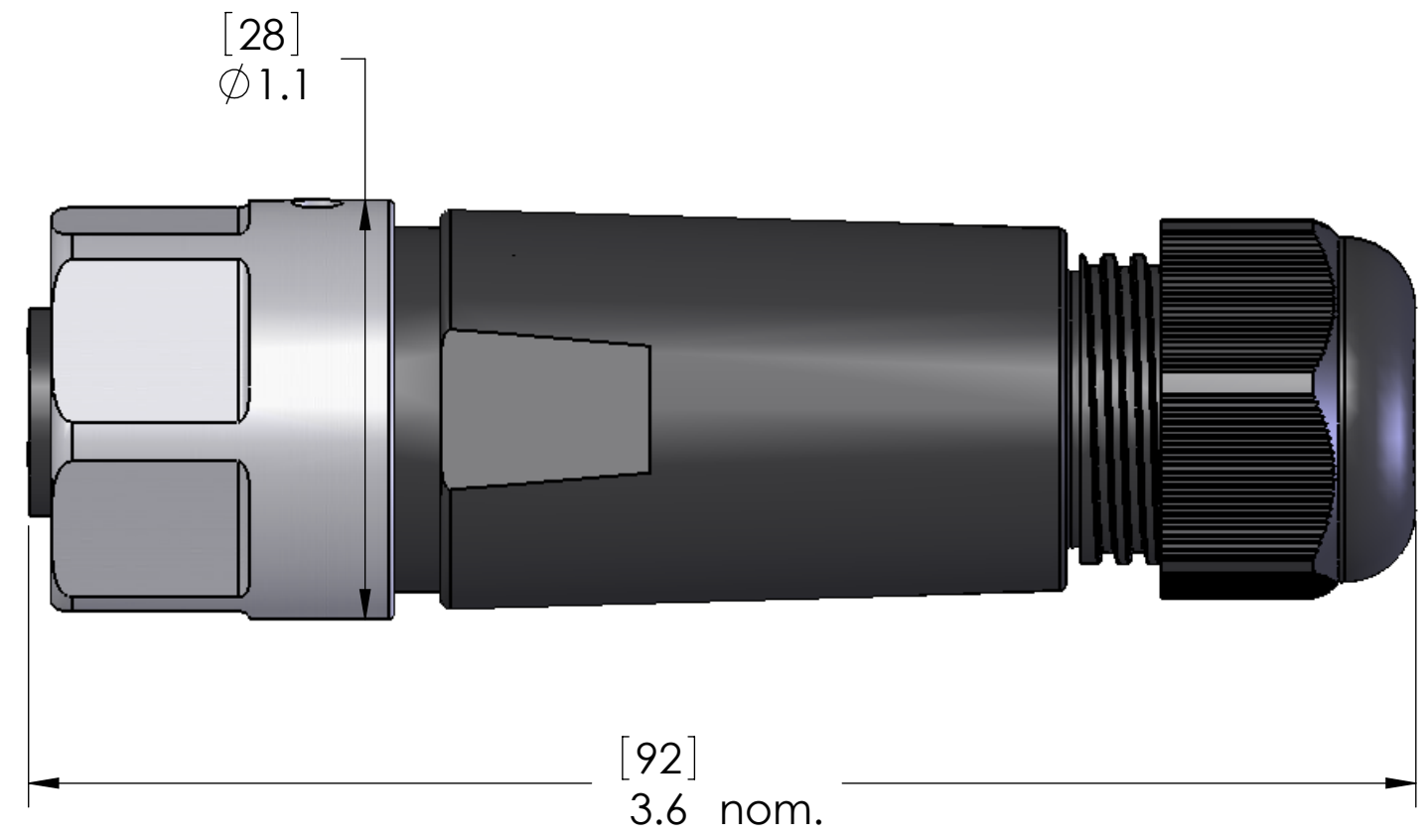
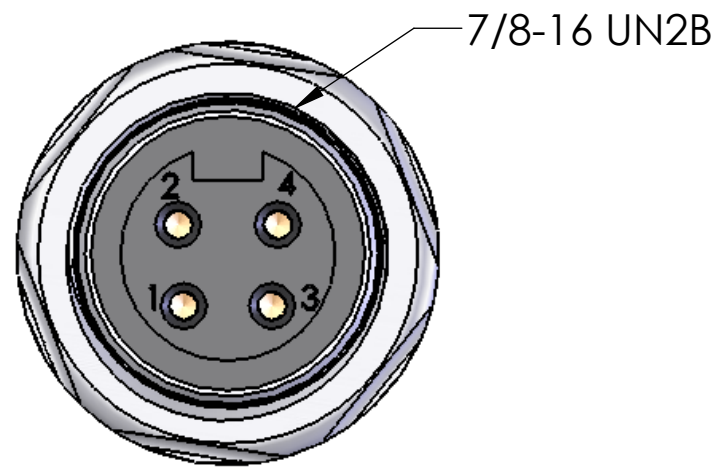


REVISIONS			
REV.	DESCRIPTION	DATE	APPROVED
A	REDRAWN IN SW	8/15/2008	



CABLE DIAMETER RANGE: 5 - 13mm
 WIRE AWG RANGE: 14 - 22AWG

MATERIALS:	
BODY:	BLACK POLYAMIDE
INSERT:	BLACK PVC
COUPLING:	STAINLESS STEEL
CONTACTS:	GOLD PLATED COPPER ALLOY
SEAL:	NBR
SPECIFICATIONS:	
AMPS:	15A MAX
VOLTS:	600V MAX

14AWG - 15A max
 16AWG - 10A max
 18AWG - 8A max
 20AWG - 4A max
 22AWG - 4A max

PROPRIETARY AND CONFIDENTIAL
 THE INFORMATION CONTAINED IN THIS DRAWING IS THE SOLE PROPERTY OF MENCOM CORPORATION. ANY REPRODUCTION IN PART OR AS A WHOLE WITHOUT THE WRITTEN PERMISSION OF MENCOM CORPORATION IS PROHIBITED.

UNLESS OTHERWISE SPECIFIED:		NAME		MENCOM CORPORATION	
DIMENSIONS ARE IN INCHES AND [MM]		DRAWN	BEM	TITLE:	
		CHECKED			
		ENG APPR.			
		MFG APPR.			
		Q.A.			
		COMMENTS:			
MATERIAL				SIZE	DWG. NO.
FINISH				B	FFIN-4FP-FW-SS
DO NOT SCALE DRAWING				SCALE: 2:1	WEIGHT:
				REV A	
				SHEET 1 OF 1	