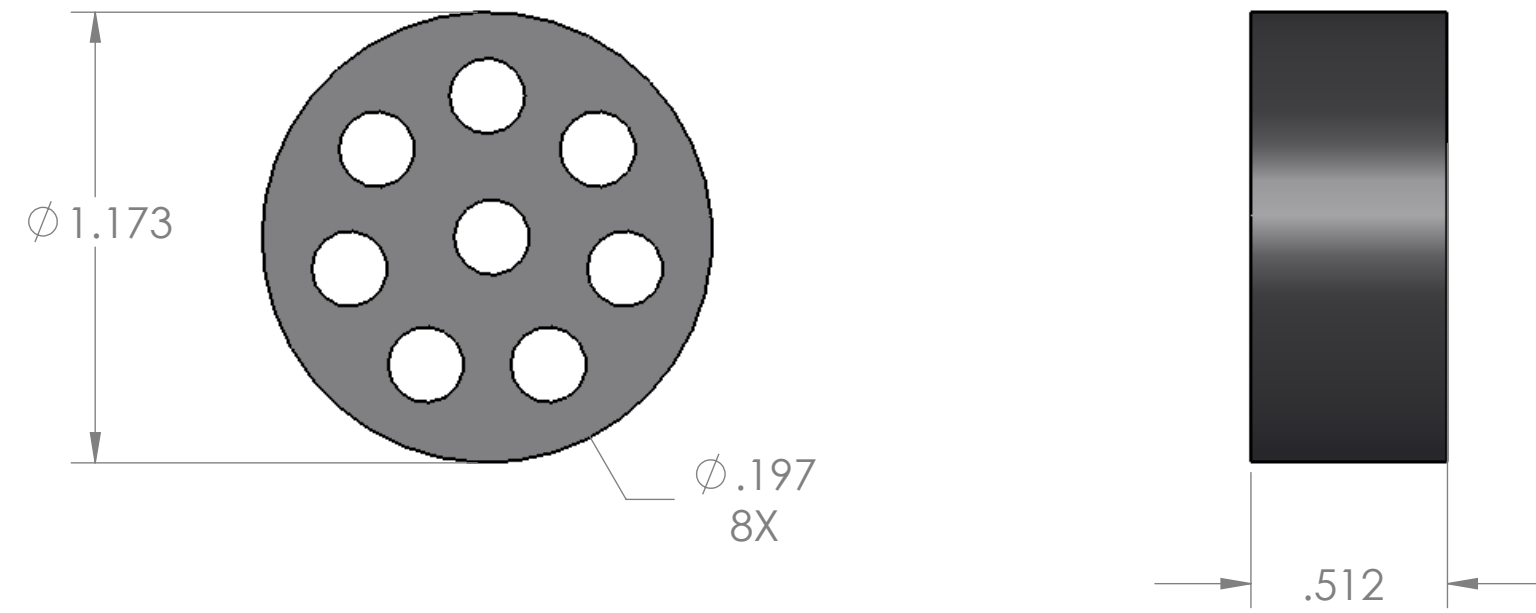


REVISIONS			
REV.	DESCRIPTION	DATE	APPROVED
A	REDRAWN IN SW	2/28/2005	



CAN BE USED IN:	
MCG-29	
MCG-29R	
PCG-29	
PCG-29-B	
PCG-29R	
PCG-29R-B	
PCG-1.0	
PCG-1.0-B	
PCG-1.0R	
PCG-1.0R-B	
PCG-M32	
PCG-M32-B	

**MATERIAL:** TPE

TO OBTAIN IP65 SEAL IN ONE OF THE LISTED CABLE GLANDS, THE O.D. OF THE CABLE MUST BE WITHIN .02" OF THE HOLE DIAMETERS

**PROPRIETARY AND CONFIDENTIAL**  
 THE INFORMATION CONTAINED IN THIS DRAWING IS THE SOLE PROPERTY OF MENCOM CORPORATION. ANY REPRODUCTION IN PART OR AS A WHOLE WITHOUT THE WRITTEN PERMISSION OF MENCOM CORPORATION IS PROHIBITED.

UNLESS OTHERWISE SPECIFIED:		NAME		MENCOM CORPORATION	
DIMENSIONS ARE IN INCHES		DRAWN	BEM	TITLE:	
TOLERANCES:		CHECKED			
FRACTIONAL $\pm 1/64$		ENG APPR.			
ANGULAR: MACH $\pm 5^\circ$ BEND $\pm 5^\circ$		MFG APPR.			
TWO PLACE DECIMAL $\pm .01$		Q.A.			
THREE PLACE DECIMAL $\pm .004$		COMMENTS:			
MATERIAL				SIZE	DWG. NO.
FINISH				<b>B</b>	PG29-8X5
DO NOT SCALE DRAWING				SCALE: 4:1	WEIGHT:
				REV	
				<b>A</b>	
				SHEET 1 OF 1	