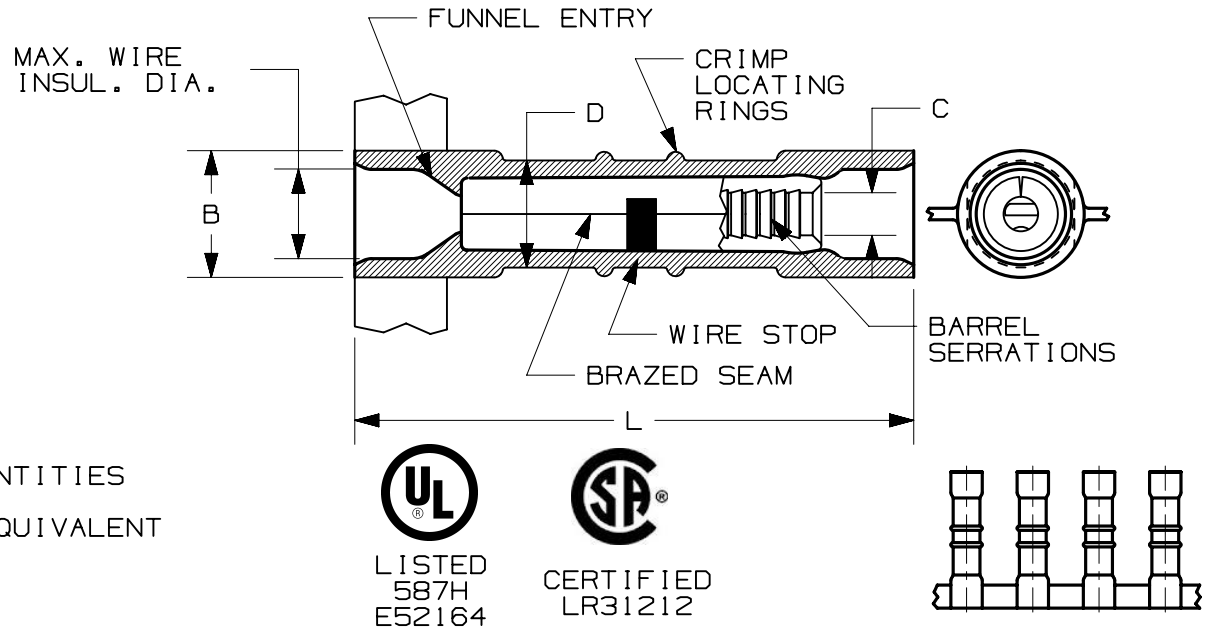


THIS COPY IS PROVIDED ON A RESTRICTED BASIS AND IS NOT TO BE USED IN ANY WAY DETRIMENTAL TO THE INTERESTS OF PANDUIT CORP.

PANDUIT PART #	WIRE RANGE AWG [mm ²]	COLOR	MATERIAL	MAX. WIRE INSUL. DIA.	MIN. INSUL.	DIMENSIONS in. [mm]				CA-800/EZ & CA9 SERIES CRIMP DIE
						L ± .03 [0,8]	B ± .01 [0,3]	C ± .004 [0,1]	D ± .004 [0,1]	
BSN18	#22-18 [0,5-1,0]	RED	STANDARD NYLON	.15 [3,8]	N/A	.95 [24,1]	.22 [5,5]	.05 [1,3]	.18 [4,7]	CD-800-1, CD9-1A
BSN14	#18-14 [1,0-2,5]	BLUE		.17 [4,3]		.95 [24,1]	.24 [6,0]	.07 [1,9]	.21 [5,4]	CD-800-2, CD9-2A
BSN10	#12-10 [4,0-6,0]	YELLOW		.23 [5,8]		.95 [24,1]	.32 [8,1]	.12 [3,1]	.29 [7,4]	CD-800-17, CD9-17B
BSP18	#22-18 [0,5-1,0]	RED	PREMIUM GRADE NYLON	.15 [3,8]	.11 [2,8]	.96 [24,4]	.22 [5,5]	.05 [1,3]	.18 [4,7]	CD-800-1, CD9-1A
BSP14	#18-14 [1,0-2,5]	BLUE		.17 [4,3]	.13 [3,3]	.96 [24,4]	.24 [6,0]	.07 [1,9]	.21 [5,4]	CD-800-2, CD9-2A

NOTES:

- USED FOR:
 - SOLID OR STRANDED COPPER WIRE
 - MAX. OPERATING TEMPERATURE:
 - 257°F [125°C] - BSN SERIES
 - 221°F [105°C] - BSP SERIES
 - 600 V. MAX VOLTAGE RATING
- INSTALLATION TOOLS:
 - CRIMP PRESS: CP-861, CP-871
 - APPLICATOR: CA-800/EZ, CA9
- WIRE STRIP LENGTH: 5/16" ^{+1/32} [7,9^{+0,8}]
- MATERIAL:
 - STAMPING: COPPER
 - HOUSING: NYLON
- SEE www.panduit.com FOR PACKAGE QUANTITIES INDICATED BY PART NUMBER SUFFIX
- DIMENSIONS IN BRACKETS ARE METRIC EQUIVALENT



B

B

A

A

21/10100DA/12

REV	DATE	BY	CHK	APR	DESCRIPTION	ECN
07	10.04.12	JBN	LCA	VMB	ADDED METRIC EQUIVALENT. REVISED NOTES. UPDATED TO CURRENT STANDARDS.	A41451

TITLE BUTT SPLICE NYLON INSULATED & PREMIUM GRADE NYLON CUSTOMER DRAWING	
ITEM REVISION NAME N41451BA/07	PANDUIT TM
DATASET FILE NAME N41451BA_DC/07A	
UNLESS OTHERWISE SPECIFIED, DIMENSIONAL TOLERANCES ARE: IN [mm] .x ± .1 [2.54] .xxx ± .005 [.13] .xx ± .01 [.25] ANGLES ± 5°	
DRAWING NUMBER: A41451	
DRAWN BY KRC	DATE -
CHK -	SCALE N.T.S.
THIRD ANGLE PROJECTION	
SHEET 1 OF 1	
SIZE A	