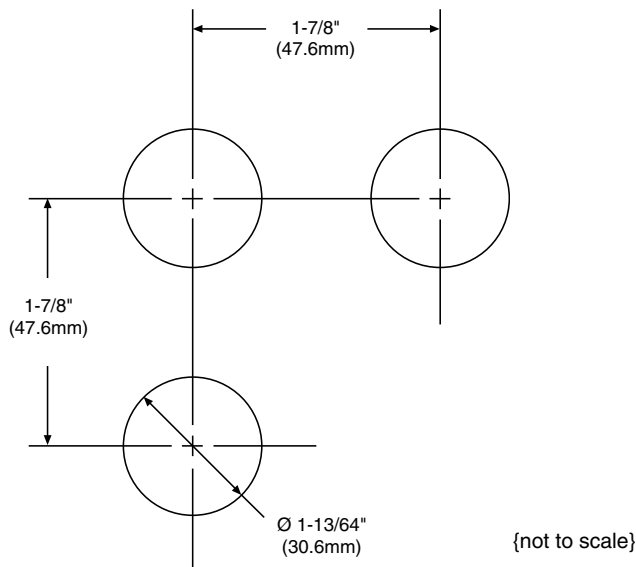
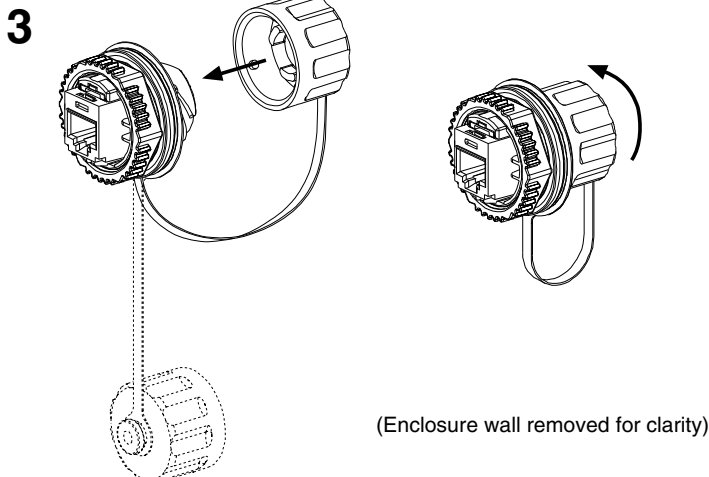
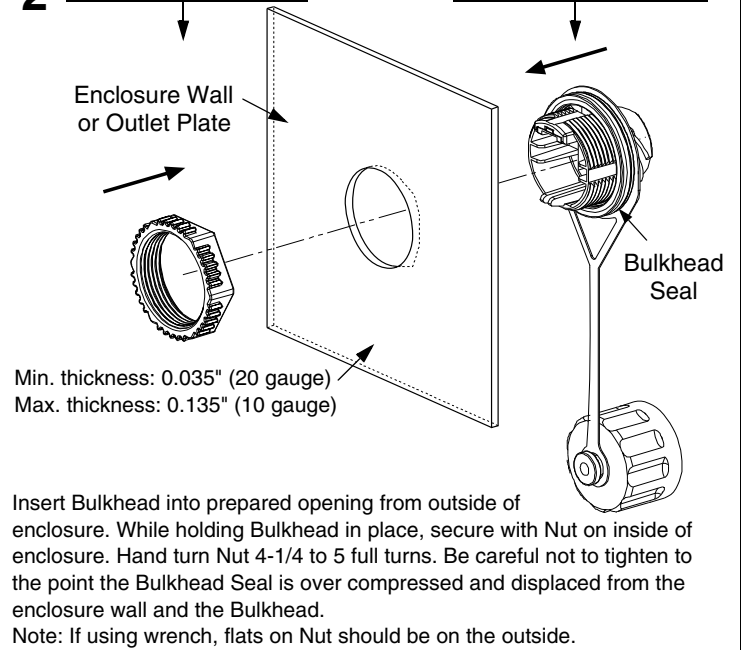


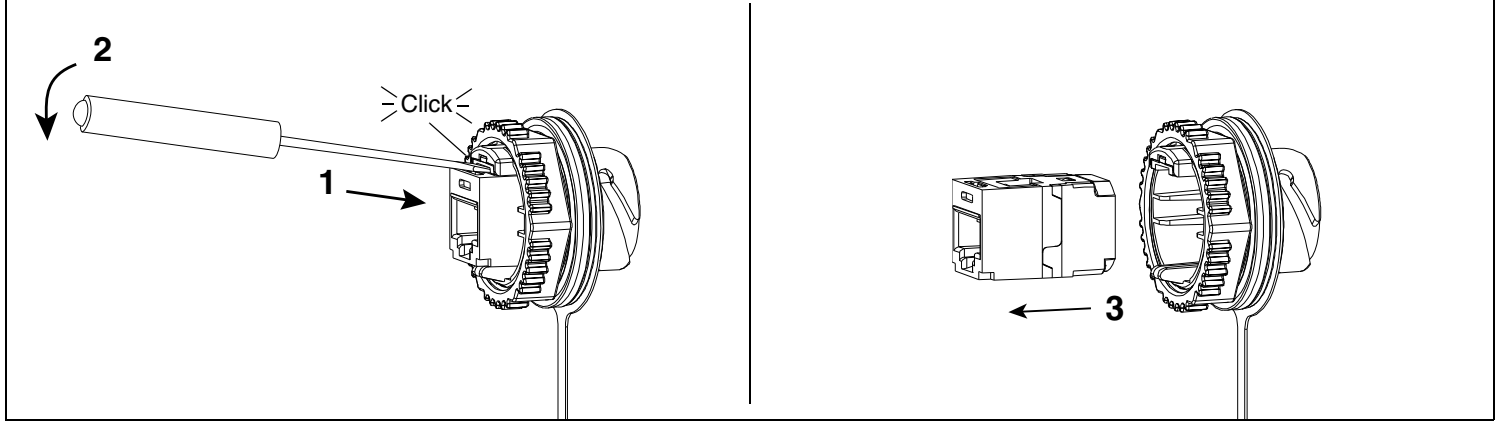
### 1 Bulkhead Opening Requirements



### 2 Inside of Enclosure      Outside of Enclosure

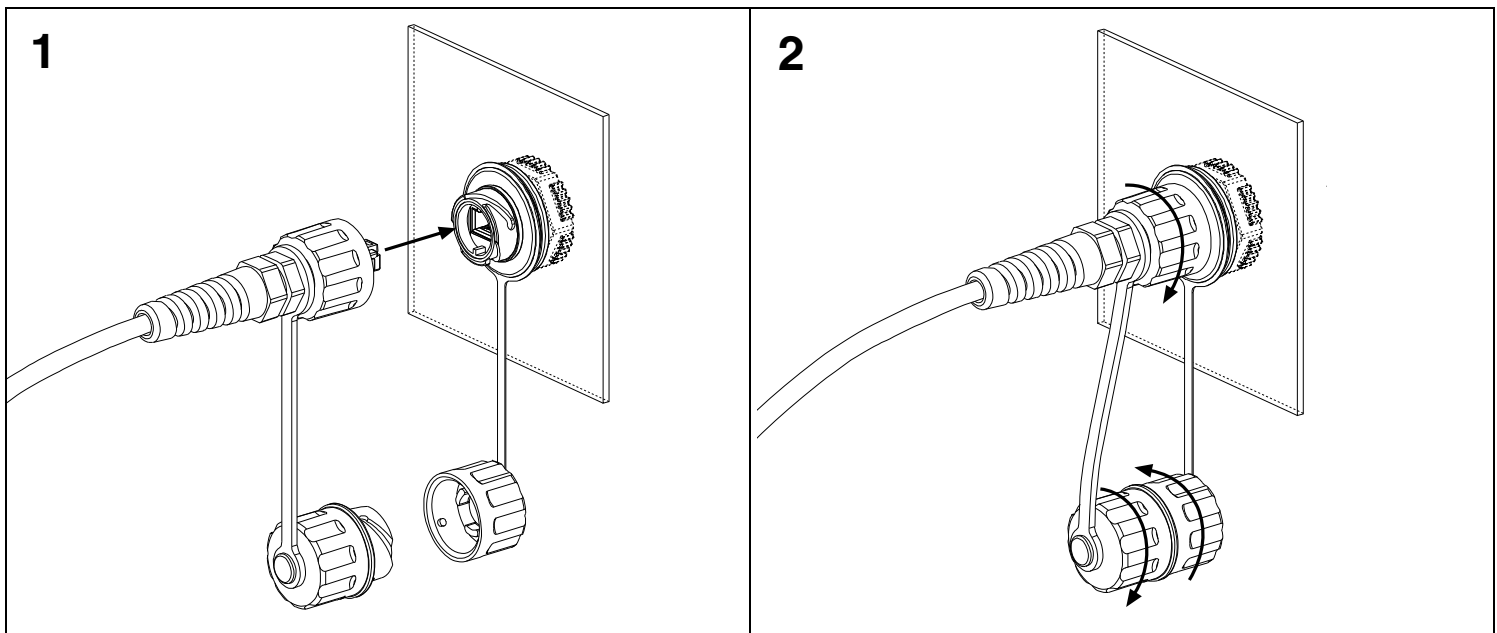
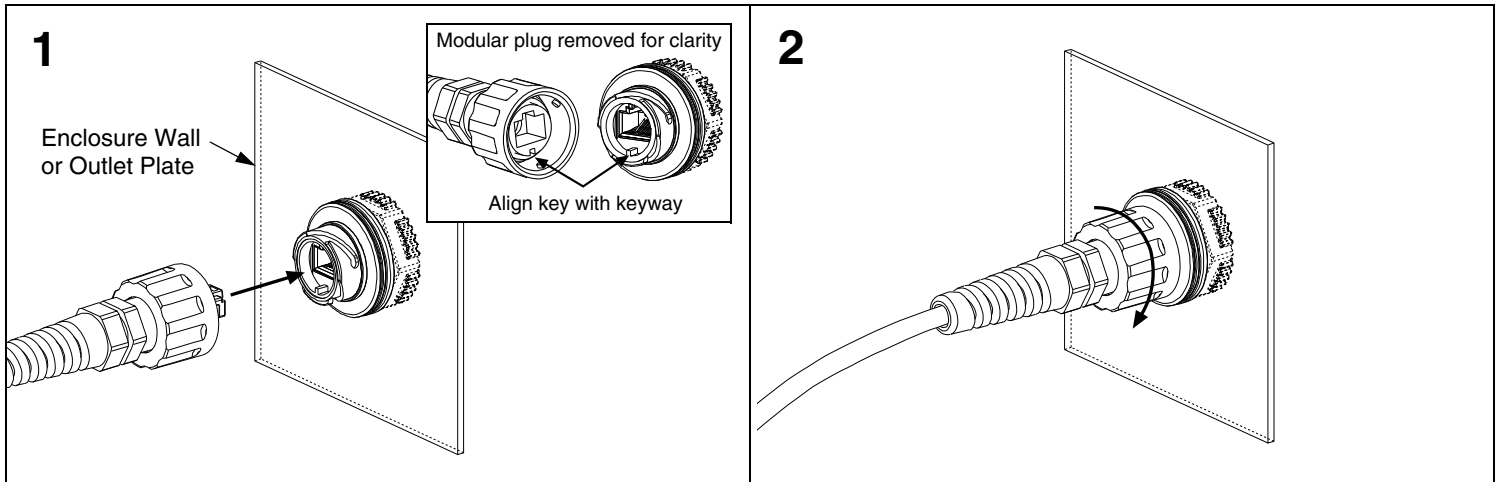


# 1 Coupler Removal Instructions



## Installation for use with IndustrialNet Modular Plug

Note: Bulkhead combination must be used on a flat surface of a NEMA 4X Enclosure to maintain rating.



For Instructions in Local Languages  
and Technical Support:  
[www.panduit.com/resources/install\\_maintain.asp](http://www.panduit.com/resources/install_maintain.asp)

**PANDUIT**  
[www.panduit.com](http://www.panduit.com)

E-mail:  
[techsupport@panduit.com](mailto:techsupport@panduit.com)  
Phone:  
866-405-6654