

THIS COPY IS PROVIDED ON A RESTRICTED BASIS AND IS NOT TO BE USED IN ANY WAY DETRIMENTAL TO THE INTERESTS OF PANDUIT CORP.

PANDUIT TOOL NO.	INSTALLS * THE FOLLOWING STAINLESS STEEL CABLE TIE CROSS-SECTION **	WEIGHT/PC	
		OZ	GRAMS
GS4MT-E	STD LH & H	15.52	440

NOTES, UNLESS OTHERWISE SPECIFIED:

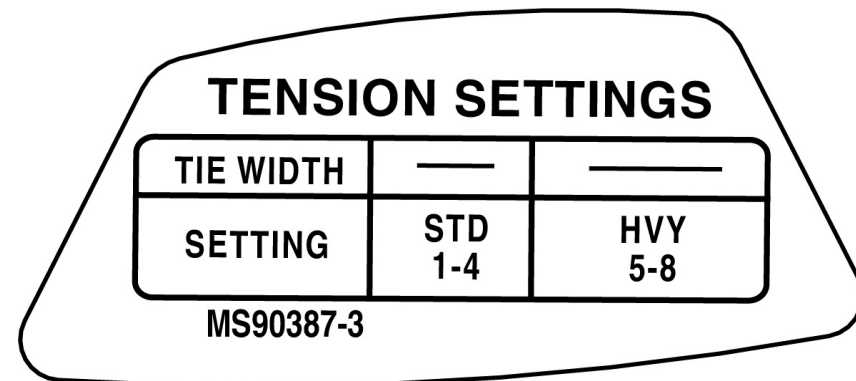
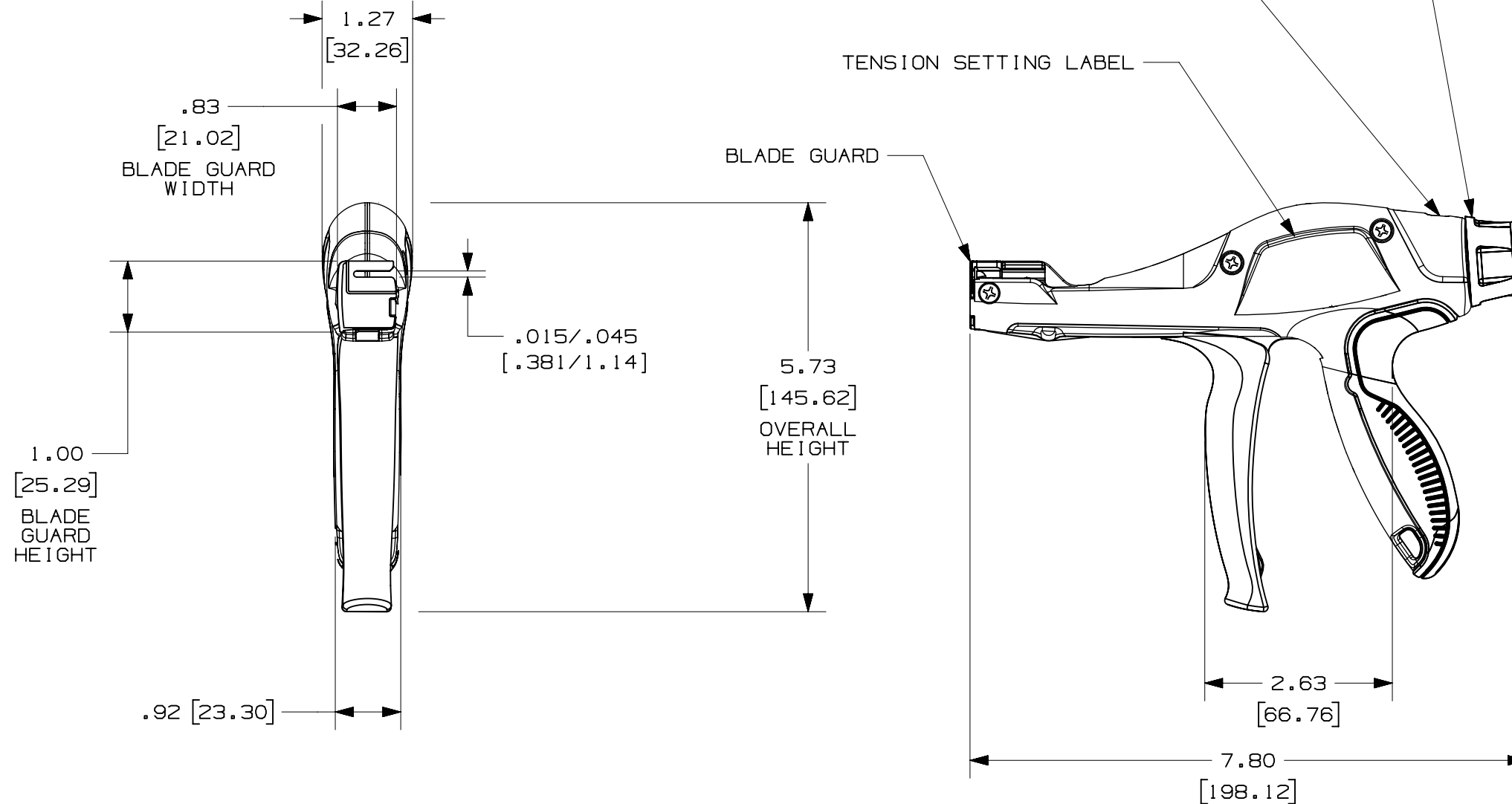
RoHS COMPLIANT.

\* THIS TOOL TIGHTENS PANDUIT STAINLESS STEEL CABLE TIES AND CUTS OFF EXCESS PORTION WHEN PRESET TENSION IS ATTAINED.

△ EACH TOOL IS CALIBRATED TO CONFORM TO INTERNAL PANDUIT REQUIREMENTS.

\*\* CABLE TIE CROSS-SECTION CODE:  
 STD = STANDARD  
 LH = LIGHT HEAVY  
 H = HEAVY

DIMENSIONS IN BRACKETS ARE METRIC.



REV	DATE	BY	CHK	APR	DESCRIPTION	ECN
03	4-27-22	JBN	MRJS	ALP	A. ADDED NOTE	120169
02	8-28-18	JEH	ABJ	JADE	UPDATED TENSION LABEL WITH MIL SPEC MS90387-3	037489
01	11-2-16	JEH	ABJ	JADE	RELEASED AT REV 01	4853

TITLE		CD, GS4MT-E	
Customer/Military Drawing			
ITEM REVISION NAME	R27580AA/03	<b>PANDUIT</b>	
DATASET FILE NAME	R27580AA_DS_TM27580B01/03A		
UNLESS OTHERWISE SPECIFIED, DIMENSIONAL TOLERANCES ARE: IN [mm]		MATERIAL:	
.x ± .1 [2.54]	.xxx ± .005 [.127]	-	
.xx ± .01 [.25]	ANGLES ± 5°	DRAWING NUMBER:	
THIRD ANGLE PROJECTION		TM27580B01	
DRAWN BY	DATE	CHK	SCALE
JEH	1-26-15	ABJ	1:2
SHT 1 OF 1			SIZE
			B