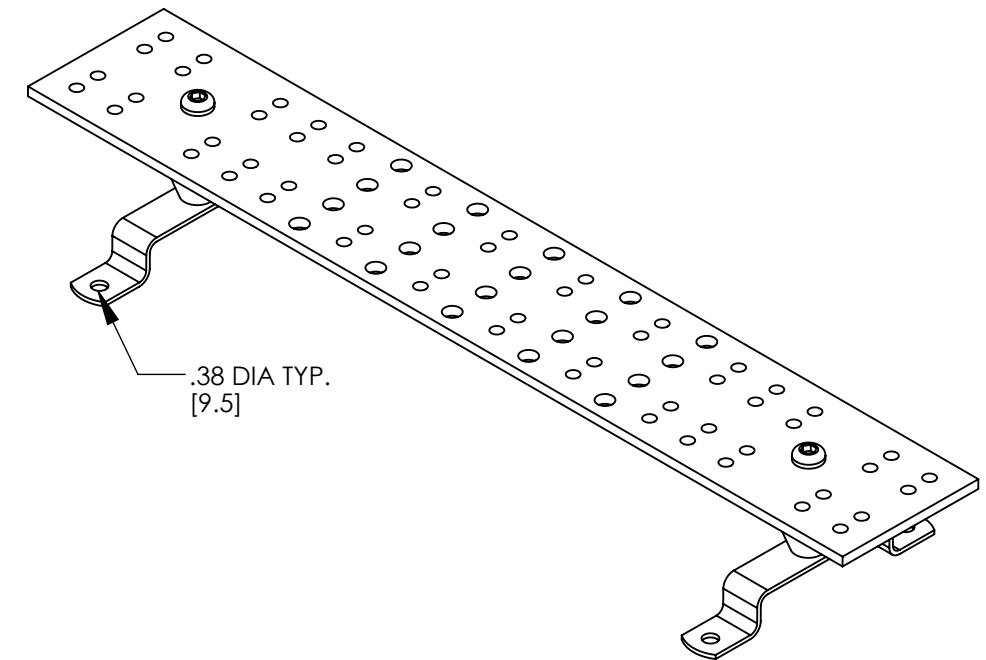
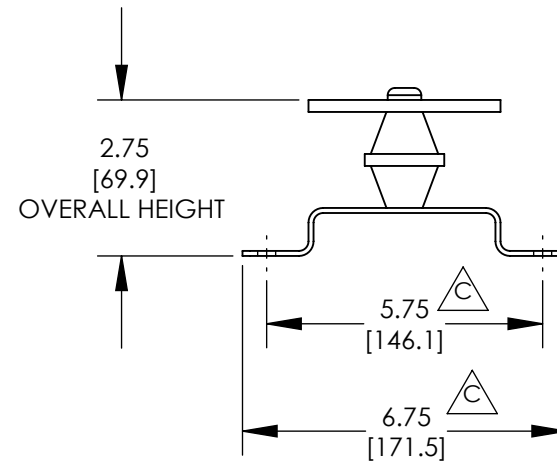
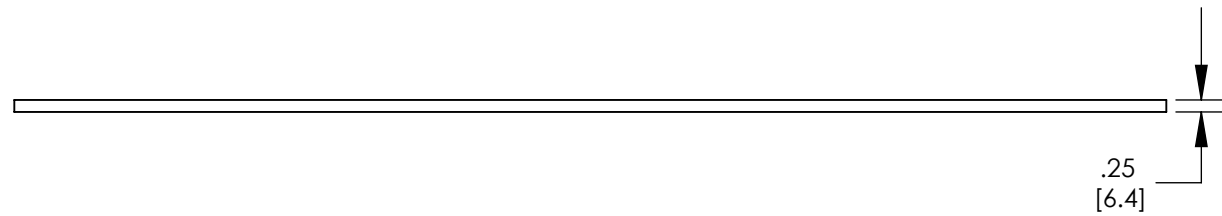
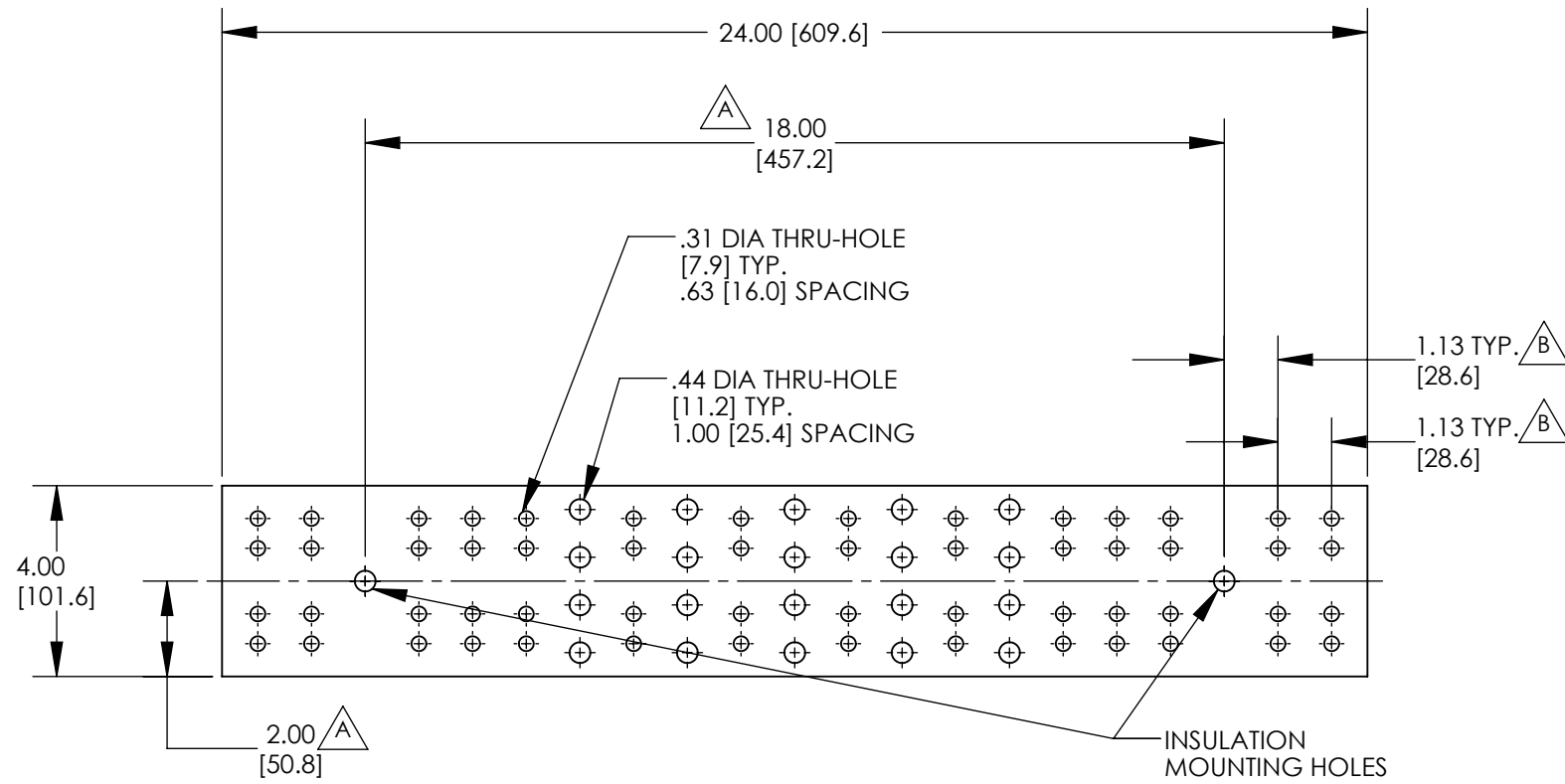


THIS COPY IS PROVIDED ON A RESTRICTED BASIS AND IS NOT TO BE USED IN ANY WAY DETRIMENTAL TO THE INTERESTS OF PANDUIT CORP.



ASSEMBLED AS SHOWN

NOTES:

1. KIT COMES FULLY ASSEMBLED
2. KIT INCLUDES BUSBAR, MOUNTING BRACKETS, INSULATORS, AND MOUNTING HARDWARE.
3. MEETS BICSI/ANSI/TIA-607-D
4. DIMENSIONS IN PARENTHESIS ARE MILLIMETERS.



REV	DATE	BY	CHK	APR	DESCRIPTION	ECN
04	10/22	JHNU	JHNU	JADE	C. ADDED MOUNTING BRACKET DIMENSIONS B. ADDED HOLE SPACING DIMENSIONS	126787
03	8/22	JHNU	JHNU	ALP	A. ADDED MOUNTING HOLE DISTANCE DIMENSIONS	125516
02	3/22	JHNU	JHNU	ALP	REVISED NOTE 3: MEETS BICSI/ANSI/TIA-607-D WAS MEETS BICSI/J-STD-607-A REVISED TITLE BLOCK	119913
01	12/10	JHNU	JHNU	FLD	REVISED AGENCY LOGO	N41768BA-C41768
00	1/09	JESH	JESH	JAC	DRAWING RELEASED	

TITLE				TMGB BCSI GROUNDING BUSBAR (GB4B1028TPI) CUSTOMER DRAWING	
ITEM REVISION NAME		N41768BA/04		PANDUIT	
DATASET FILE NAME		C41768 r04.SLDDRW			
UNLESS OTHERWISE SPECIFIED, DIMENSIONAL TOLERANCES ARE: IN [mm]				MATERIAL	
.X ±		.XXX ±		DRAWING NUMBER C41768	
.XX ±		ANGLES ±			
THIRD ANGLE PROJECTION		SCALE		SHEET 1 OF 1	
DRAWN BY	DATE	CHK	SCALE	SIZE	
JESH	1/09	JESH	NONE	B	