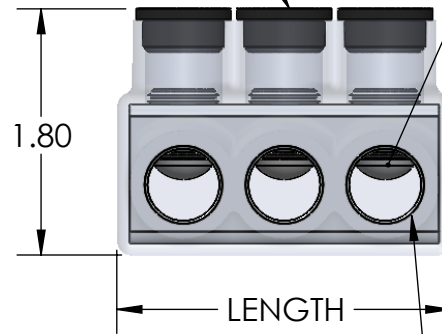


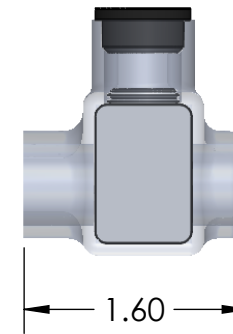
SET SCREW
PLUG SP3/0

5/16 INTERNAL HEX
PRESSURE SCREW



1.80

LENGTH



1.60

WIRE ENTRY PORT
WIRE RANGE: 3/0KCMIL - #6 AWG
PRE-FILLED W/ OXIDE INHIBITOR

IPL3/0-3C SHOWN

PART NUMBER	NO. OF PORTS	LENGTH
IPL3/0-3C	3	2.63
IPL3/0-4C	4	3.41
IPL3/0-5C	5	4.19
IPL3/0-6C	6	4.97
IPL3/0-8C	8	6.53
IPL3/0-10C	10	8.09
IPL3/0-12C	12	9.65
IPL3/0-14C	14	11.21

NOTES:

- CONNECTOR MANUFACTURED FROM 6061-T6 ALUMINUM ALLOY.
- UL LISTED PER UL486A/B SPECIFICATIONS FOR 600V.
- DUAL RATED FOR 90°C COPPER AND/OR ALUMINUM CONDUCTOR.
- COLD TEMPERATURE RATED TO -45°C.
- HIGH DIELECTRIC STRENGTH INSULATION IS ABRASION AND CHEMICAL RESISTANT.

CONTACT NSi FOR SALES @ 800.321.5847

		POLARIS SALES . CO . INC	
<small>PROPRIETARY AND CONFIDENTIAL</small>		<small>11625 PROSPEROUS DRIVE ODESSA, FL 33556</small>	
<small>THE INFORMATION CONTAINED IN THIS DRAWING IS THE SOLE PROPERTY OF POLARIS SALES CO. INC. ANY REPRODUCTION IN PART OR AS A WHOLE WITHOUT THE WRITTEN PERMISSION OF POLARIS SALES CO. INC. IS PROHIBITED.</small>		TITLE: CLEAR INSULATED 3/0 CONNECTOR	
<small>NAME</small>		<small>DATE</small>	
<small>DRAWN BY</small> T.MITCHELL		<small>DATE</small> 11/2021	
<small>MATERIAL:</small> N/A		<small>DWG. NO.</small> IPL3/0C	
<small>SCALE:</small> N/A		<small>SHEET:</small> 1 OF 1	