

VALVE PIN #	COLOR
1	BRN
2	BLU
GND	GRN/YEL

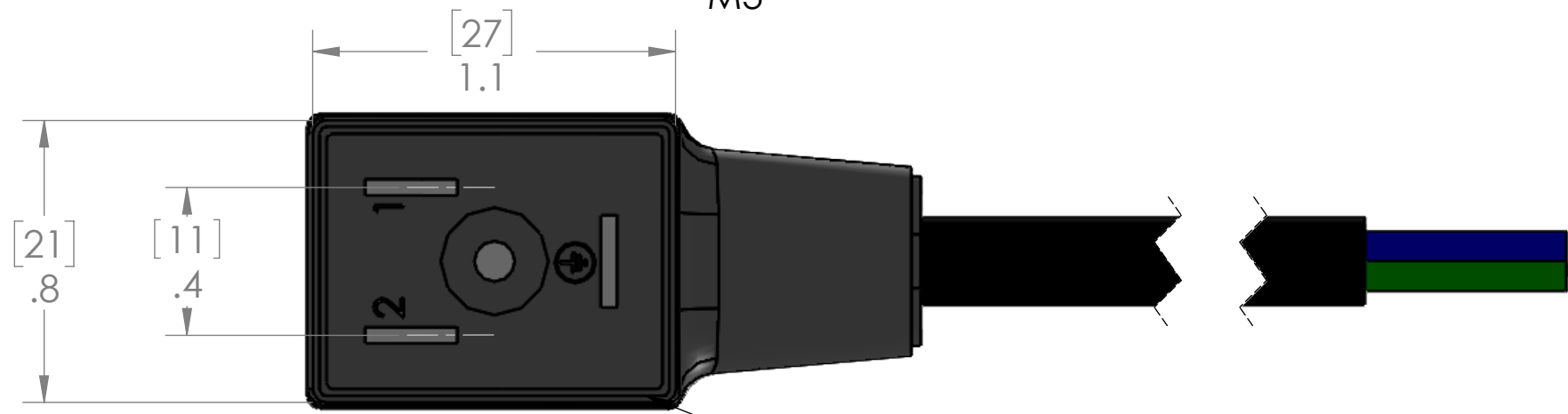
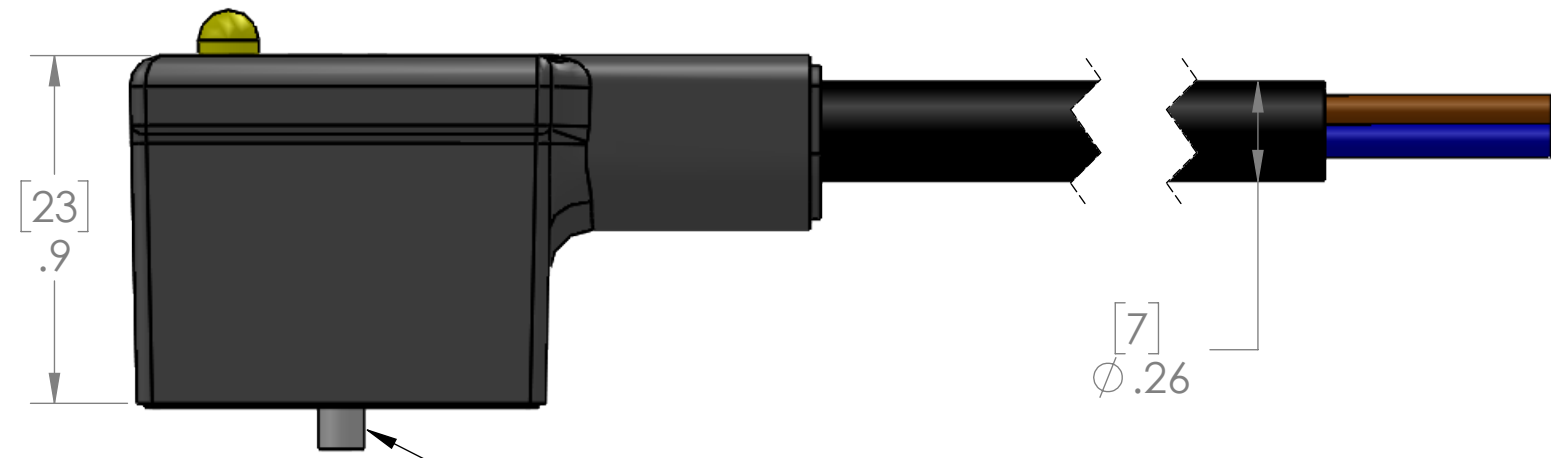
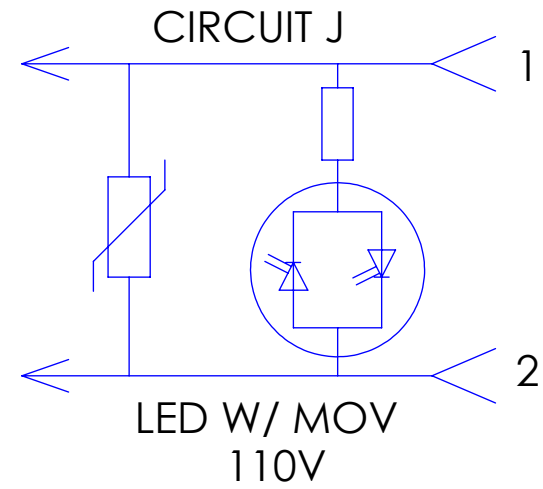


TABLE A		
P/N	L	STD?
VDJ-120-00	39" [1M]	NO
VDJ-220-00	79" [2M]	YES
VDJ-320-00	118" [3M]	NO
VDJ-420-00	157" [4M]	NO
VDJ-520-00	197" [5M]	YES
VDJ-620-00	236" [6M]	NO
VDJ-A20-00	393" [10M]	YES

PARTS LISTED AS NOT BEING STANDARD
MAY REQUIRE MINIMUM ORDERS

MATERIALS:	
CABLE:	18/3 BLACK PVC JACKET
BODY:	TPE
CONTACTS:	SILVER PLATED COPPER ALLOY
SCREW:	ZINC PLATED STEEL
TEMP:	-25°C TO 90°C
SEAL:	IP65

PROPRIETARY AND CONFIDENTIAL
THE INFORMATION CONTAINED IN THIS DRAWING IS THE SOLE PROPERTY OF MENCOM CORPORATION. ANY REPRODUCTION IN PART OR AS A WHOLE WITHOUT THE WRITTEN PERMISSION OF MENCOM CORPORATION IS PROHIBITED.

VOLTS	110V
AMPS	10A
TEMP:	90°C

UNLESS OTHERWISE SPECIFIED:	DRAWN BY	ADM
DIMENSIONS ARE IN INCHES AND [MM]	DRAWN DATE	04/29/2022
	CHECKED BY	
	CHECK DATE	
	COMMENTS:	
MATERIAL		
FINISH		
DO NOT SCALE DRAWING		

MENCOM CORPORATION		
TITLE:		
I/S B 110V MOV LED 2+E		
SIZE	DWG. NO.	REV
B	VDJ-ZZ20-00	C
SCALE: 2:1	WEIGHT:	SHEET 1 OF 1