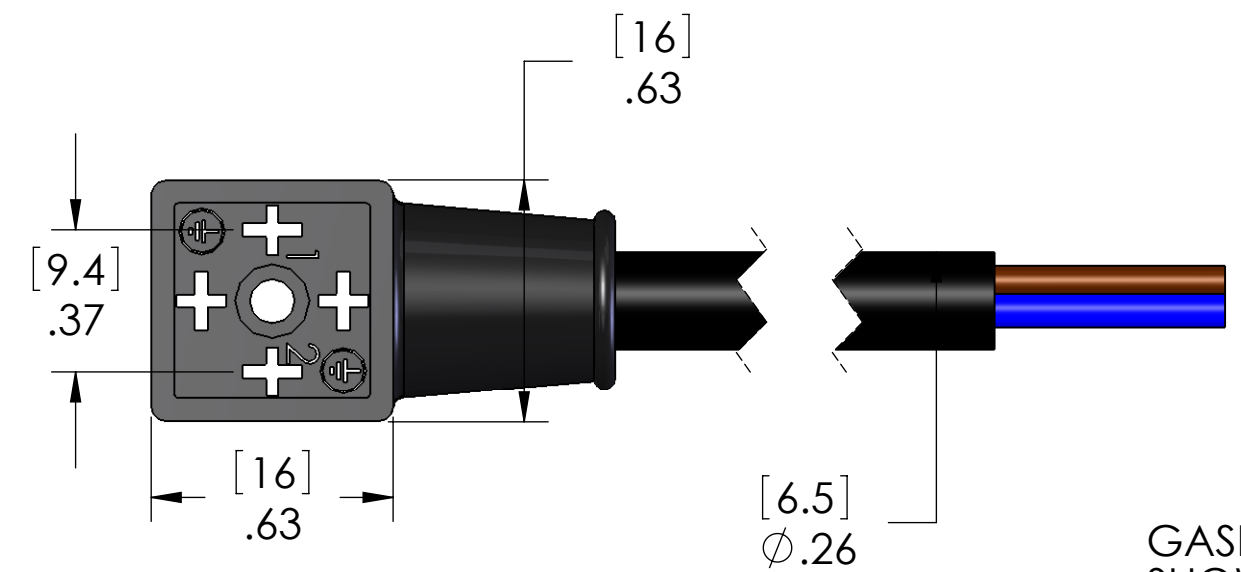
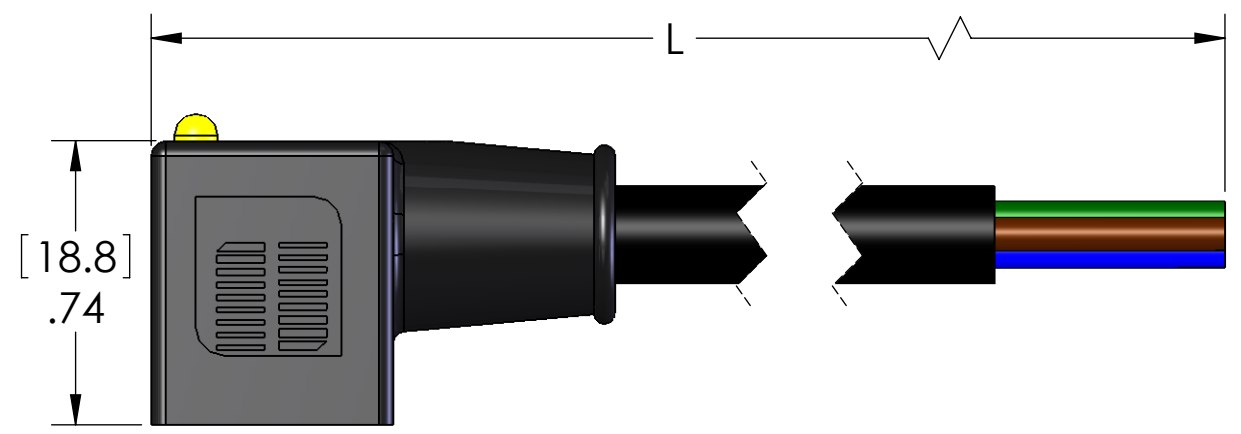


REVISIONS			
REV.	DESCRIPTION	DATE	APPROVED
A	REDRAWN IN SW	2/11/2001	



GASKET AND SCREW NOT SHOWN FOR CLARITY

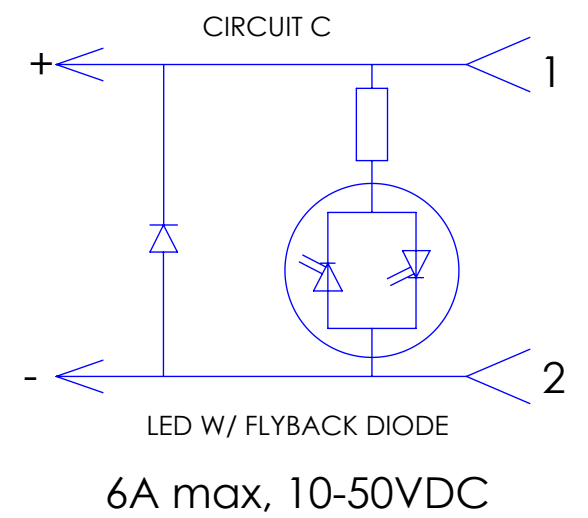


TABLE A	
P/N	L
VEC-220-00	79" [2m]
VEC-320-00	118" [3m]
VEC-520-00	197" [5m]
VEC-A20-00	393" [10m]

COLOR:	BLACK
BODY:	POLYAMIDE
CABLE:	20/3 BLACK PVC JACKET
CONTACT:	COPPER ALLOY SILVER PLATED
GASKET:	THERMOPLASTIC RUBBER
SCREW:	ZINC PLATED STEEL
TEMP:	-40°C TO 105°C
IP 65	

DIN	
1	BRW
2	BLU
3	GN/YEL

PROPRIETARY AND CONFIDENTIAL
THE INFORMATION CONTAINED IN THIS DRAWING IS THE SOLE PROPERTY OF MENCOM CORPORATION. ANY REPRODUCTION IN PART OR AS A WHOLE WITHOUT THE WRITTEN PERMISSION OF MENCOM CORPORATION IS PROHIBITED.

UNLESS OTHERWISE SPECIFIED: DIMENSIONS ARE IN INCHES AND [MM]	NAME DRAWN CAM
MATERIAL	CHECKED
FINISH	ENG APPR.
	MFG APPR.
	Q.A.
	COMMENTS:
DO NOT SCALE DRAWING	

MENCOM CORPORATION		
TITLE: I/S FORM C CABLE		
SIZE B	DWG. NO. VEC-ZZ20-00	REV A
SCALE: 2:1	WEIGHT:	SHEET 1 OF 1