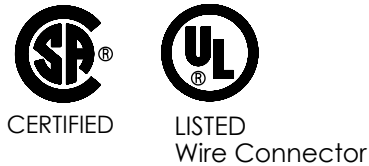
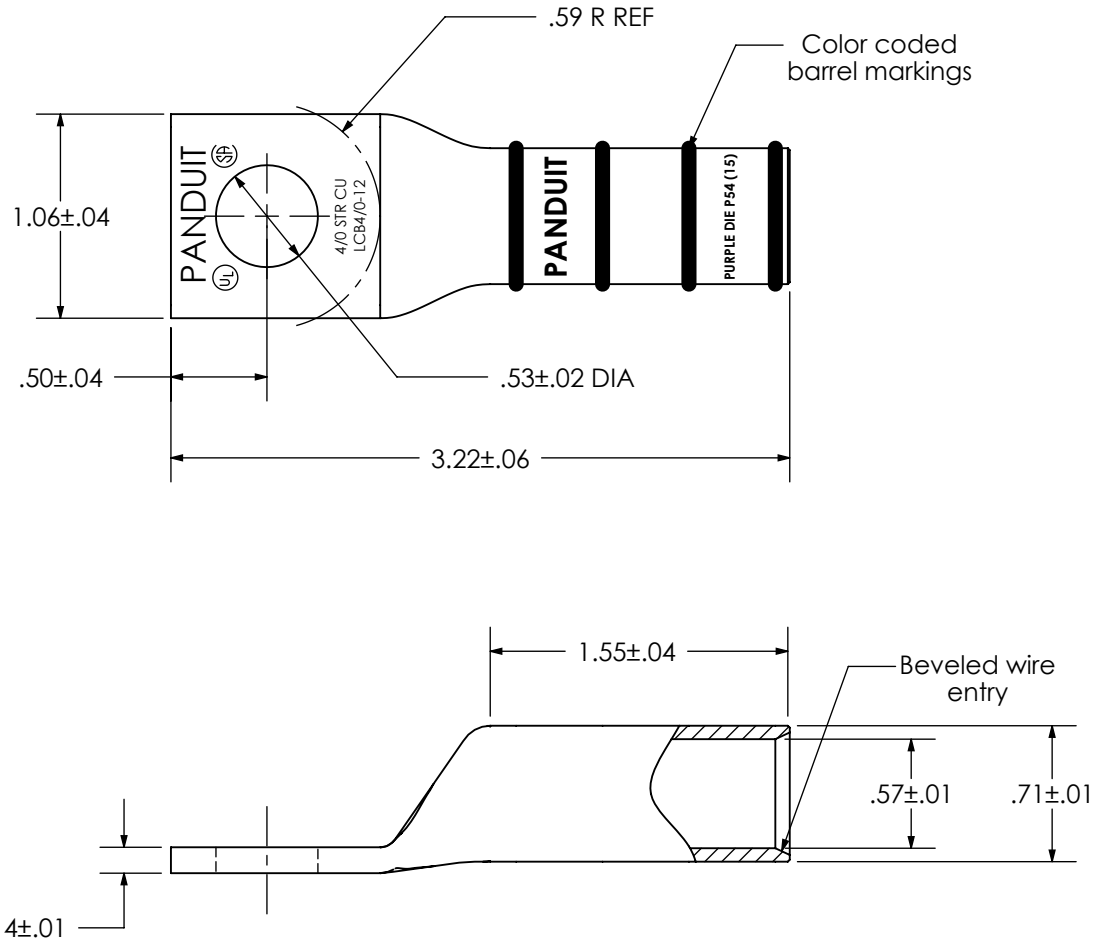


THIS COPY IS PROVIDED ON A RESTRICTED BASIS AND IS NOT TO BE USED IN ANY WAY DETRIMENTAL TO THE INTERESTS OF PANDUIT CORP.

Material	High Conductivity Seamless Copper Tube
Plating	Electro-Tin
Wire Size	4/0 AWG
Wire Type	Stranded Copper; Class B: Compact, Compressed or Concentric, Class C: Concentric
Wire Strip Length	1-5/8 in.
Stud Size	1/2 in.
UL Listed Wire Connector	Yes, for applications up to 35kv. Consult cable manufacturer for voltage stress relief instructions with applications greater than 2000 volts.
UL Temperature Rating	90° C
C.S.A Certified Wire Connector	Yes
Panduit Color Code on Barrel	PURPLE
Panduit Die Index No. on Barrel	P54
Alternate Industry Die Index No. ( ) on Barrel	(15)



REV	DATE	BY	CHK	DESCRIPTION	ECN	-R	SUP
01	5/12	JHNU	JHNU	REMOVED NAVY NUMBER FROM TONGUE	N10882OH-LCB4/0-12-CUST	RGB	RGB
00	7/02	SAB	DRL	RELEASED	10327	SAB	DRL

**PANDUIT CORP. TINLEY PARK, ILLINOIS**

LCB4/0-12-X  
Copper Lug - One-Hole, Long Barrel

SCALE N/A DRAWING NO / CAD FILE LCB4\_0-12-CUST