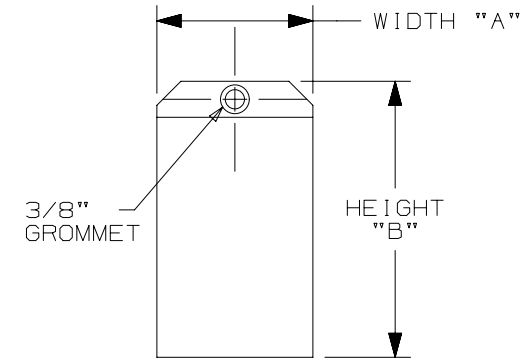


THIS COPY IS PROVIDED ON A RESTRICTED BASIS AND IS NOT TO BE USED IN ANY WAY DETRIMENTAL TO THE INTERESTS OF PANDUIT CORP.

PART NUMBER	MATERIAL	WIDTH "A"	HEIGHT "B"	TAGS & TIES PER PKG.	LAMINATION SIDE	HEADER	HEADER COLOR	DESCRIPTION	LEGEND COLOR	
PST-1	SLCT VINYL	2.00 [ 50.8 ]	3.00 [ 76.2 ]	10	FRONT ONLY	BLANK	BLANK	BLANK	BLANK	
PST-2		3.25 [ 82.6 ]	5.75 [ 146.0 ]	5		DANGER	WHITE/RED & BLACK	TAG-A	BLACK/WHITE	
PST-3		3.00 [ 76.2 ]				FARE		TAG-D		
PST-3-D						DANGER		TAG-E		
PST-4	GMV5 AND SEZ-SNC VINYL	3.50 [ 88.9 ]	5.75 [ 146.0 ]	25	FRONT AND BACK	BLANK	BLANK	BLANK	BLANK	
PST-5		3.00 [ 76.2 ]			5	FRONT ONLY	BLANK	BLANK	DO NOT THROW SYMBOL (TAG-B)	BLACK/WHITE
PST-12							PERIGO	WHITE/RED & BLACK	TAG-C	BLACK/RED & WHITE STRIPE
PST-98-P										



NOTES:  
1. MILLIMETER ARE IN [ ].

TAG-A

TAG-B

TAG-C

TAG-D

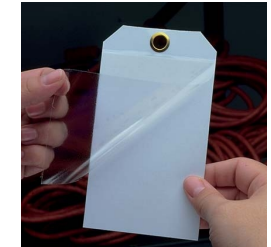
TAG-E



Front PST-3 Back



Front PST-12 Back



REV	DATE	BY	CHK	APR	DESCRIPTION	ECN
2	8/14/18	RVU	JW	JHAC	ADD PST-3-F TO TABLE. UPDATE TABLE.	GAECN04654
1	11/11/13	JHAC	KLN		ADDED PST-3-D AND PST-98-P TO TABLE.	GAECN01375
0	4/4/08	RVU			DRAWING RELEASE.	5382

TITLE <b>PST-∗ INDOOR RIGID VINYL SAFETY TAG CARRIER AND PHOTO TAGS</b>		
CUSTOMER DRAWING		
ITEM REVISION NAME 100318LX/02	DATASET FILE NAME 100318LX_DC_C10679/02C	
UNLESS OTHERWISE SPECIFIED, DIMENSIONAL TOLERANCES ARE: IN [ mm ] .x ± .075 [ 1.905 ] .xxx ± .020 [ 0.508 ] .xx ± .050 [ 1.27 ] ANGLES ± 5 °		MATERIAL: <b>SEE TABLE</b>
THIRD ANGLE PROJECTION		DRAWING NUMBER: C10679

REV	DATE	BY	CHK	APR	DESCRIPTION	ECN	DRAWN BY RVU	DATE 4/4/08	CHK JHAC	SCALE NTS	SHT 1 OF 1	SIZE A
-----	------	----	-----	-----	-------------	-----	-----------------	----------------	-------------	--------------	------------	-----------

D10100DA/20