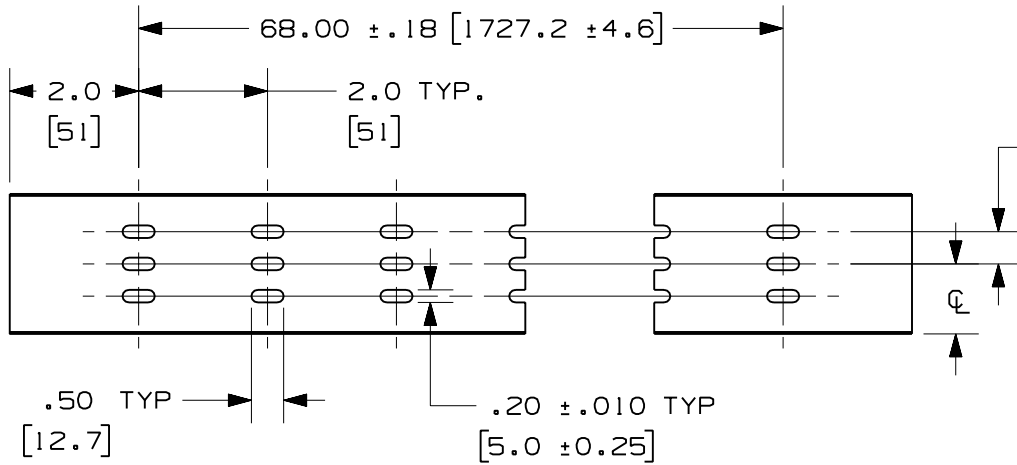
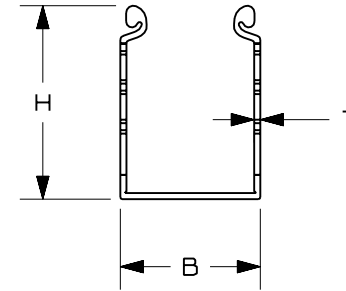
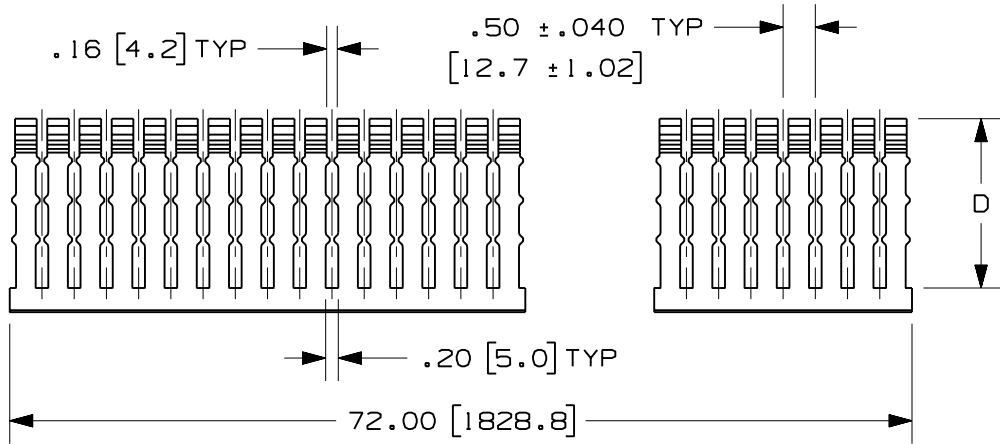


THIS COPY IS PROVIDED ON A RESTRICTED BASIS AND IS NOT TO BE USED IN ANY WAY DETRIMENTAL TO THE INTERESTS OF PANDUIT CORP.



NOTES:

1. "B" IS MEASURED AT BASE
2. STANDARD LENGTH: 6ft. (1.83m)
3. SEE CURRENT CATALOG FOR PART NUMBER DESIGNATIONS FOR TYPE, COLOR, AND LENGTH.
4. DUCT TYPE "HN" TO BE USED WITH TYPE "HC" COVER. (SEE DWG # 38258-05)
5. DIMENSIONS IN PARENTHESES ARE METRIC.
6. SEE DWG 38258-05 FOR SOLID WALL DUCT.

CAD FILENAME/LAYERS D39593AD_DC_Type_HN/00A

PANDUIT CORP. TINLEY PARK, ILLINOIS

WIRING DUCT - TYPE HN DUCT
CUSTOMER DRAWING

UNLESS OTHERWISE SPECIFIED,
DIMENSIONAL TOLERANCES ARE:
(.X) ±.06 (1.5) (.XXX) ±
(.XX) ±.03 (.8) ANGLES ± 5°

UNLESS OTHERWISE SPECIFIED,
ALL DIMENSIONS ARE GIVEN
IN INCHES, THIRD ANGLE PROJECTION.

DRAWN BY
JCST

MAT'L;

SCALE
NONE

R 11/14/07 JCST HIW DRAWING RELEASED TO PRODUCTION

39593-04 HIW HIW

DATE
11/14/07

PVC

DRAWING NO.
39593-04

DWG
A

REV DATE BY CHK DESCRIPTION

ECN - R CUST SUP

CHK'D
HIW

SHT. 1 OF 2

SIZE

THIS COPY IS PROVIDED ON A RESTRICTED BASIS AND IS NOT TO BE USED IN ANY WAY DETRIMENTAL TO THE INTERESTS OF PANDUIT CORP.

PROFILE DIMENSIONS			
NOMINAL DUCT SIZE (W X H)	B \pm .02 [.5]	H \pm .02 [.5]	T \pm .022 [.55]
1.5 X 2	1.75 [44.5]	1.92 [48.8]	.08 [2.0]
1.5 X 3	1.75 [44.5]	3.00 [76.2]	.10 [2.5]
2 X 2	2.17 [55.1]	1.92 [48.8]	.08 [2.0]
2 X 3	2.17 [55.1]	3.00 [76.2]	.10 [2.5]
2 X 4	2.17 [55.1]	4.00 [101.6]	.10 [2.5]
3 X 3	3.25 [82.8]	3.00 [76.2]	.10 [2.5]
3 X 4	3.25 [82.8]	4.00 [101.6]	.11 [2.8]
4 X 4	4.25 [108.0]	4.00 [101.6]	.11 [2.8]

SLOT DIMENSIONS	
NOMINAL DUCT HEIGHT	D
2	1.55 [39.4]
3	2.63 [66.8]
4	3.63 [92.2]

MOUNTING HOLE DIMENSIONS	
NOMINAL DUCT WIDTH	K
1.5	-----
2	.50 \pm .01 [12.7 \pm .25]
3	1.00 \pm .01 [25.4 \pm .25]
4	1.50 \pm .01 [38.1 \pm .25]

CAD FILENAME/LAYERS										
										D39593AD_DC_Type_HN/00A
										PANDUIT CORP. TINLEY PARK, ILLINOIS
										WIRING DUCT - TYPE HN DUCT CUSTOMER DRAWING
										UNLESS OTHERWISE SPECIFIED, DIMENSIONAL TOLERANCES ARE: (.X) \pm .06 (1.5) (.XXX) \pm .03 (.8) ANGLES \pm 5°
										UNLESS OTHERWISE SPECIFIED, ALL DIMENSIONS ARE GIVEN IN INCHES, THIRD ANGLE PROJECTION.
										DRAWN BY JCST MAT'L; PVC SCALE NONE
										DRAWING NO. 39593-04 DWG A
										SHT. 2 OF 2 SIZE
REV	DATE	BY	CHK	DESCRIPTION	ECN	R	CUST	SUP	CHK'D	
R	11/14/07	JCST	HIW	SEE SHT 1 OF 2	39593-04		HIW	HIW	HIW	