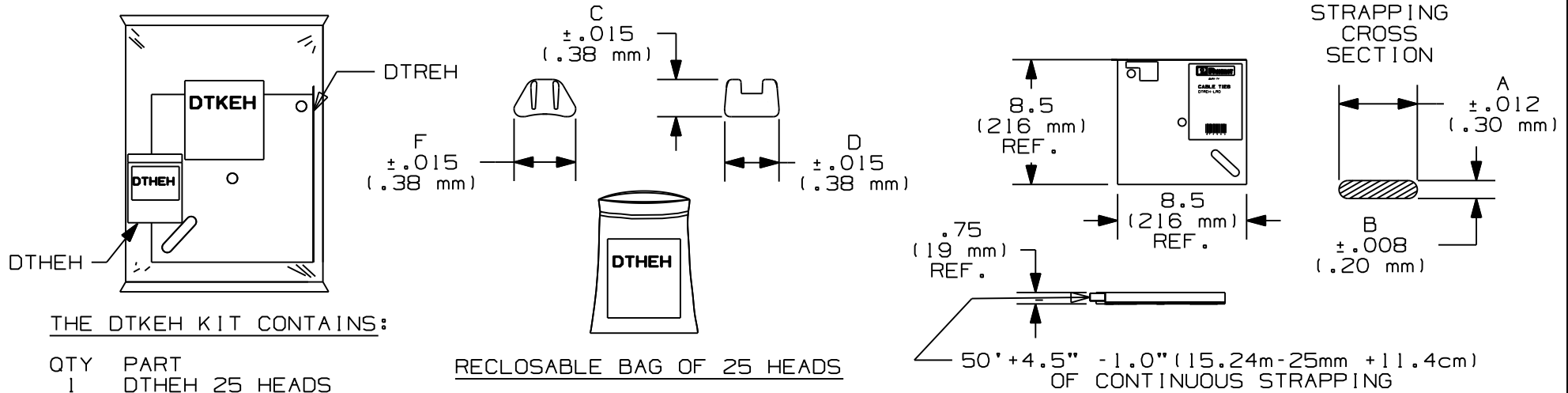


THIS COPY IS PROVIDED ON A RESTRICTED BASIS AND IS NOT TO BE USED IN ANY WAY DETRIMENTAL TO THE INTERESTS OF PANDUIT CORP.



THE DTKEH KIT CONTAINS:

- QTY PART
 1 DTKEH 25 HEADS
 1 DTREH 50' REEL OF STRAPPING

RECLOSABLE BAG OF 25 HEADS

DTHEH

DTREH

PANDUIT* PART NO.	DESCRIPTION	BUNDLE DIA.		A in. (mm)	B in. (mm)	C in. (mm)	D in. (mm)	F in. (mm)	MINIMUM LOOP TENSILE 2"/MIN. lbs. (N)	APPROX. WEIGHT lbs/(kg) per PACKAGE
		MIN. in. (mm)	MAX. in. (mm)							
DTKEH	DURA-TY KIT 50' STRAPPING 25 HEADS	.020 (.51)	15'-9" (4.8)	.495 (12.57)	.059 (1.50)	.490 (12.45)	.718 (18.24)	.812 (20.62)	250 (1112)	1.2 (.544)
DTHEH	BAG OF 25 HEADS	-----	-----	-----	-----	.490 (12.45)	.718 (18.24)	.812 (20.62)	-----	.2 (.091)
DTREH	50' REEL OF STRAPPING	.020 (.51)	15'-9" (4.8)	.495 (12.57)	.059 (1.50)	-----	-----	-----	250 (1112)	1 (.454)

* SEE CURRENT PRICE SHEET FOR PART NUMBER SUFFIX DESIGNATION FOR PACKAGE SIZE

W10001BR/02 SS-27250 SH2

DURA-TY CABLE TIES MEET OR EXCEED THE REQUIREMENTS OF TR-TSY-000789, TELCORDIA TECHNOLOGIES.

DIMENSIONS IN PARENTHESES ARE IN METRIC UNITS

PANDUIT CORP. TINLEY PARK, ILLINOIS

DURA-TY EXTRUDED CABLE TIES (EXTRA HEAVY)

--	----	---		CHANGED DIMENSION 'A' TOLERANCE FROM ±.008 TO ±.012	----	--													
2	5/13/08	ERW		CHANGED DIMENSION 'A' FOR DTKEH & DTREH FROM .500 TO .495	SS-27250	2													
--	----	--		REVISED DIM 'C' METRIC CONVERSIONS	----	--													
--	----	--		REVISED DIM 'A' METRIC CONVERSIONS	----	--													
1	8/31/07	JABO	TGS	CHANGED PACKAGE VIEW TO MATCH PKG-387 DWG	SS-27250	1	TGS												
REV	DATE	BY	CHK	DESCRIPTION	ECN	R	CUST	SUP											

UNLESS OTHERWISE SPECIFIED, DIMENSIONAL TOLERANCES ARE:
 (.X) ± (.XXX) ±
 (.XX) ± ANGLES ±

UNLESS OTHERWISE SPECIFIED, ALL DIMENSIONS ARE GIVEN IN INCHES, THIRD ANGLE PROJECTION.

DRAWN BY JABO

MAT'L: STRAP & HEAD - BLACK ACETAL
 EACH HEAD HAS TWO, TYPE 302 STAINLESS STEEL BARBS

SCALE N/A
 DRAWING NO. SS-27250
 SHEET 2 OF 2
 DWG A SIZE

DATE 12/10/02

CHK'D TGS