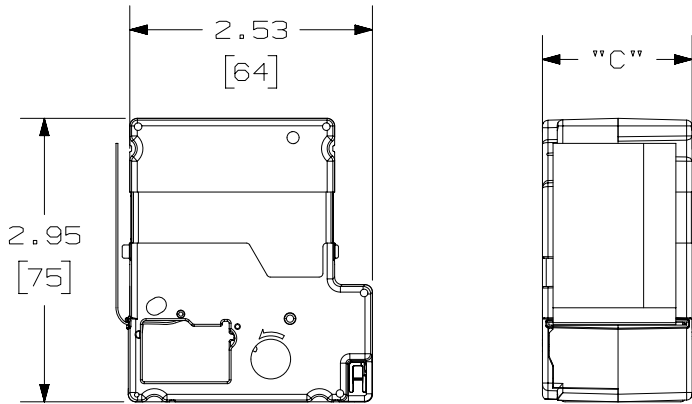
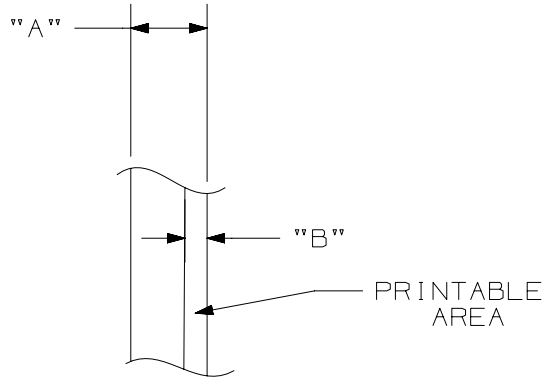
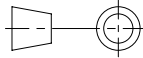


THIS COPY IS PROVIDED ON A RESTRICTED BASIS AND IS NOT TO BE USED IN ANY WAY DETRIMENTAL TO THE INTERESTS OF PANDUIT CORP.

CASSETTE PART NO.	TAPE WIDTH "A" +/- 0.05[+/-1.3]	PRINTABLE WIDTH "B" +/- 0.05[+/-1.3]	CASSETTE WIDTH "C"	ROLL LENGTH
S000X100VAM	0.945 [24.0]	.315 [8.0] REF	1.10 [27.9] REF	26' MIN
S000X150VAM	1.417 [36.0]	.512 [13.0] REF	1.56 [39.6] REF	8 METER MIN



PART NUMBER		MP printer Self-lam continuous tape				
TITLE		MP Self-Lam Continuous Tape				
		CUSTOMER DRAWING				
ITEM REVISION NAME		I00743XU/00				
DATASET FILE NAME		I00743XU_DC/00				
		THIRD ANGLE PROJECTION				
MATERIAL		GMV21		DRAWING NUMBER		
				I00743XU_DC		
00	04/27/20	JSUN	JSUN	RKB	INITIAL RELEASE	080316
REV	DATE	BY	CHK	APR	DESCRIPTION	ECN
DRAWN BY		DATE	CHK	SCALE	SHEET 1 OF 1	
JSUN		04/27/2020	JSUN	NONE	A	

A-SIZE CUSTOMER

2

1

2

1