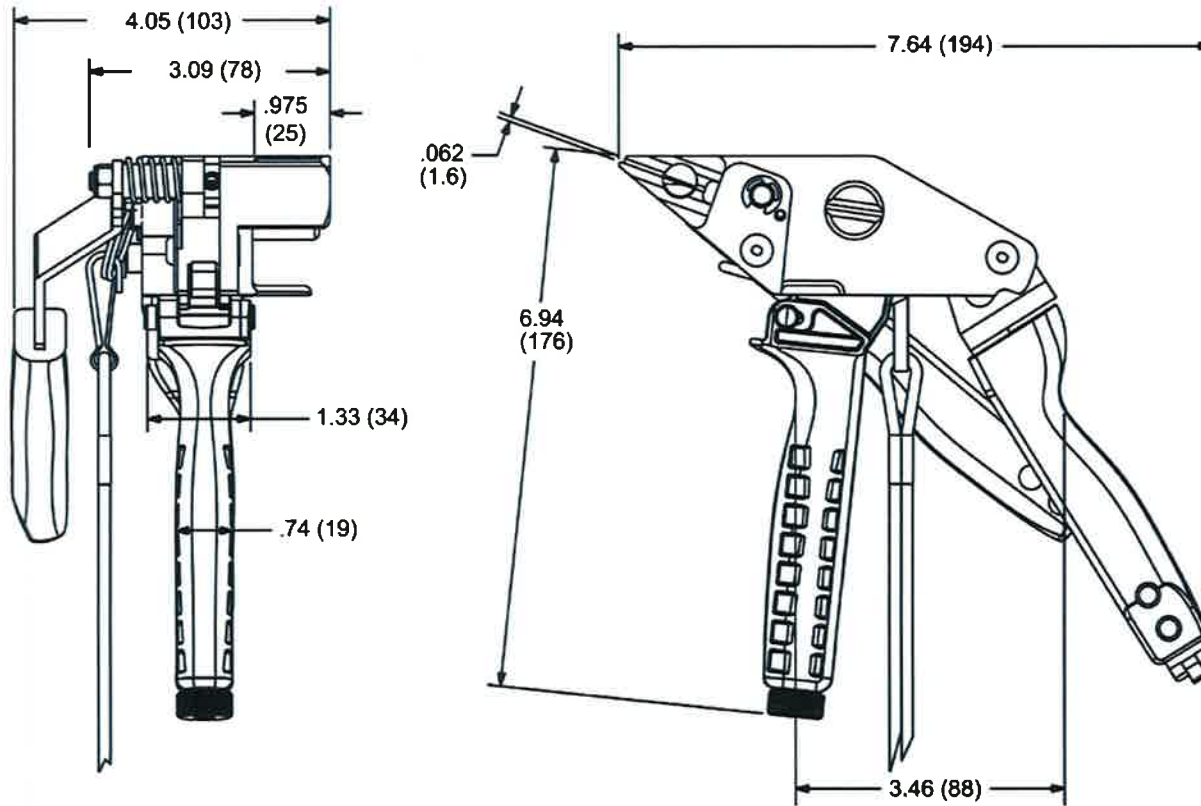


THIS COPY IS PROVIDED ON A RESTRICTED BASIS AND IS NOT TO BE USED IN ANY WAY DETRIMENTAL TO THE INTERESTS OF PANDUIT CORP.



**NOTES, UNLESS OTHERWISE SPECIFIED:**

Panduit Tool Number BT2HT is used to install coated and uncoated Pan-Steel MS Series strap and buckles in widths of 3/8" (9.5mm), 1/2" (12.7mm); and 5/8" (15.9mm).

**THIS TOOLS' FEATURES INCLUDE:**

- Single handle trigger for fast installation
- Cable strap side entry for immediate positioning of strap and tool
- Adjustable controlled or Installer controlled tension
- Cut-off capability with the cutter and cutter handle
- Easy removal of excess strap.
- Multi-position rear handle allows access to tight areas.
- Features to release & remove strap from tool before cutting.

**CABLE TIE CROSS-SECTION CODE:**

MS Series straps and buckles.

TOOL WEIGHT: 2.6 lbs. (41.6 oz.)

Dimensions shown in parenthesis are metric.

F:\wrkgrp\rvusers\ENGR DOCS\  
CUSTDWG/TB25755A01\_01 BT2HT.doc

**BT2HT CUSTOMER DRAWING**

CUSTOMER DRAWING

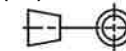
ITEM REVISION NAME:

**TB25755A01\_01**

**PANDUIT**

UNLESS OTHERWISE SPECIFIED,  
DIMENSIONAL TOLERANCES ARE:

(.x) ± --- (.xxx) ± ---  
(.xx) ± --- ANGLES ± ---



THIRD ANGLE  
PROJECTION

MATERIAL:

DRAWING NUMBER:  
TB25755A01

01	7-28-14	BLR	<i>[Signature]</i>	<i>[Signature]</i>	REDRAWN; NEW TEMPLATE, UPD BRANDING	4765
----	---------	-----	--------------------	--------------------	--	------

REV	DATE	BY	CHK	APR	DESCRIPTION	ECN
-----	------	----	-----	-----	-------------	-----

DRAWN BY: BLR	DATE: 7-28-14	CHK BJPU	SCALE NONE	SHT 1 OF 1	SIZE A
------------------	------------------	-------------	---------------	------------	-----------