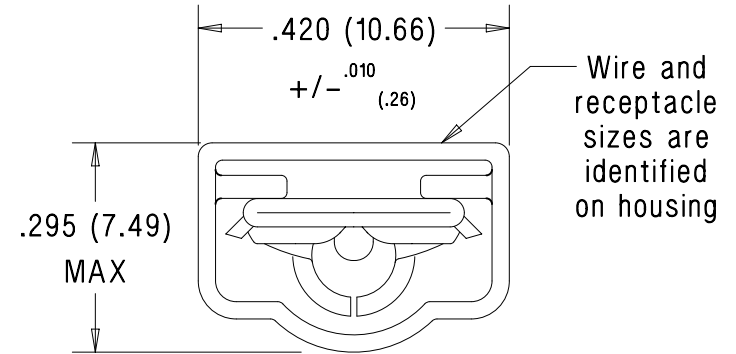
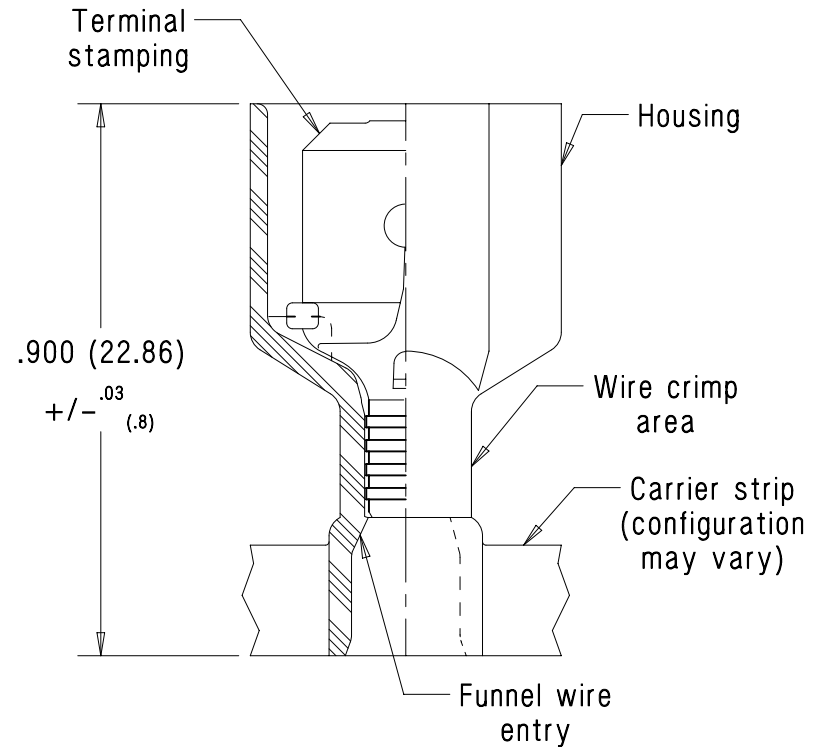


Part number	Wire range AWG	Color	Maximum insulation diameter	PRESSES & APPLICATORS CP-861, CP-860, CP-851, CP-862 CA-800 & CA9
DNF18-250FIM-2K	22-18 (0,5-1,0)	Red	.133 (3,38)	CRIMP DIES: CD-800-4, CA9-4B
DNF14-250FIM-2K	16-14 (1,5-2,5)	Blue	.158 (4,01)	CRIMP DIES: CD-800-5, CA9-5B



Notes:

- Used for:
  - 600 V maximum rating
  - 221°F (105°C) maximum temperature rating (CSA)
  - 257°F (125°C) maximum temperature rating (UL)
  - Stranded copper wire only
- Wire strip length:  $9/32^{+1/32}_{-0}$  (7.1<sup>+8</sup><sub>-0</sub>)
- Material:
  - Stamping - .016 thick nickel plated brass
  - Housing - Nylon
- Package quantity:
  - 2K = 2000 pieces on continuously molded carrier strip
- Dimensions in brackets are in millimeters or mm<sup>2</sup>



A41104\_09

09	05/06	DAW	DAW	REDREW MISSING REV.08 CAD DRAWING	TR00130		
08	12/03	KLFU	JAC	UPDATED WIRE RANGE ON DNF18 FROM 1.5 TO 1,0 CLARIFIED TOOLING CHART	11363	TRO	JAC
07	7/03	KLFU	JAC	ADDED INTERNAL SERRATIONS PART FILE NAME WAS N41104AA_PCD_06	11253	TRO	JAC
06	7/99	ED	SKB	ADDED CP-862-CA9	07848	TRO	JAC
REV	DATE	BY	CHK	DESCRIPTION	ECN	PM	CUST



TINLEY PARK, ILLINOIS

Disco™ Termo™ fully insulated male disconnects  
.250 X .032 Tab size

DRAWN BY DSM	CHK'D LM	SCALE NONE	DRAWING NO./CAD FILENAME A41104A
-----------------	-------------	---------------	-------------------------------------