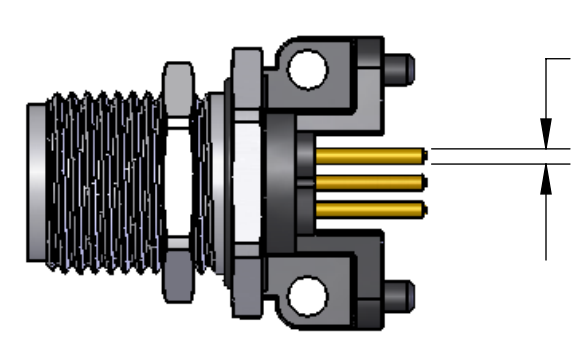
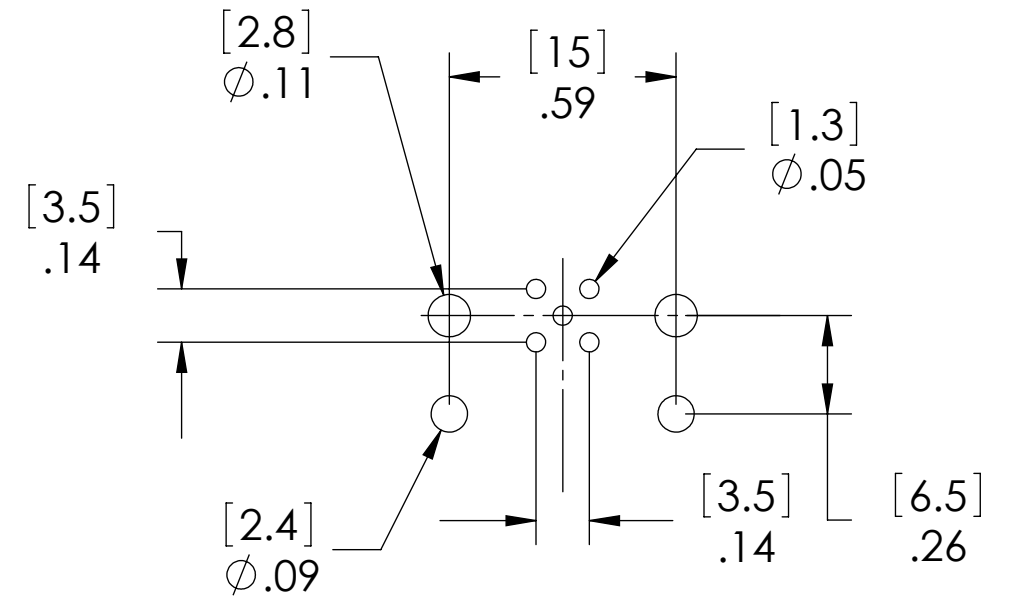
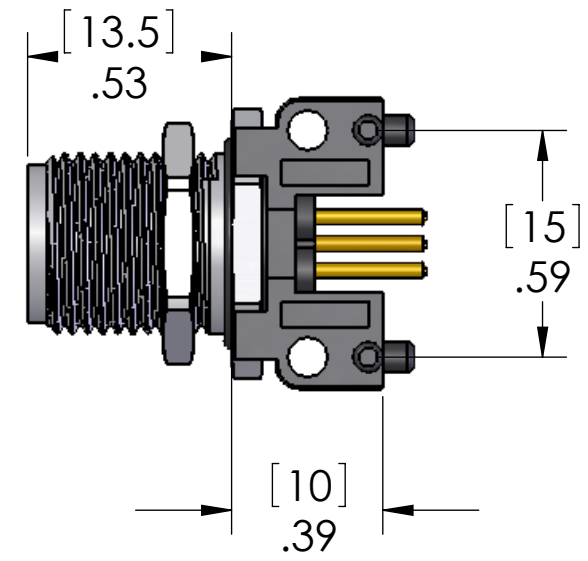
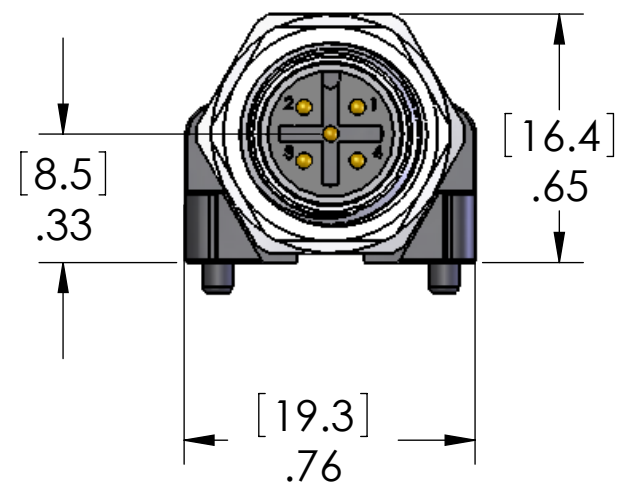
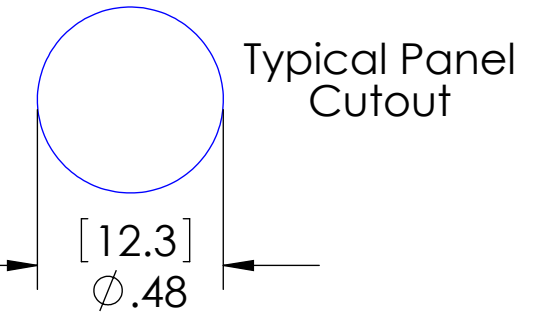
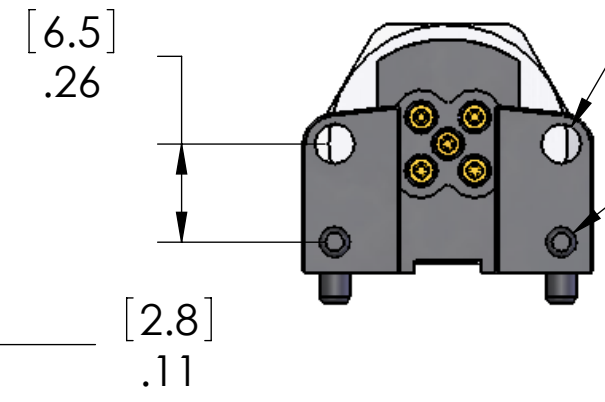
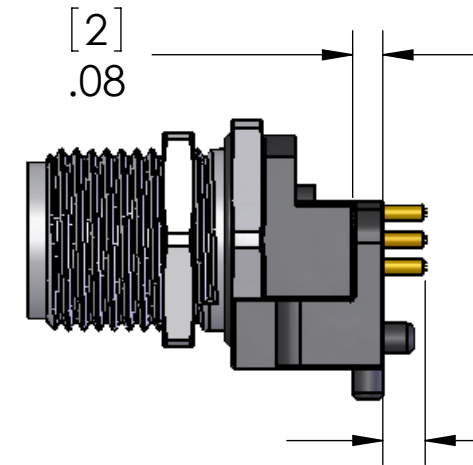


REVISIONS			
REV.	DESCRIPTION	DATE	APPROVED
A	REDRAWN IN SW	8/27/2007	



Recommended MAX Panel Thickness: 0.12" [3mm]  
 Recommended PCB thickness: 0.6" [1.6mm]



MATERIALS:	
BODY:	POLYAMIDE
METAL HDWR:	NICKEL PLATED BRASS
CONTACTS:	GOLD PLATED COPPER ALLOY
O-RING:	BUNA-N
RATINGS:	
VOLTAGE:	250V
AMPERAGE:	4A

**PROPRIETARY AND CONFIDENTIAL**  
 THE INFORMATION CONTAINED IN THIS DRAWING IS THE SOLE PROPERTY OF MENCOM CORPORATION. ANY REPRODUCTION IN PART OR AS A WHOLE WITHOUT THE WRITTEN PERMISSION OF MENCOM CORPORATION IS PROHIBITED.

UNLESS OTHERWISE SPECIFIED:	
DIMENSIONS ARE IN INCHES AND [MM]	
MATERIAL	
FINISH	
DO NOT SCALE DRAWING	

NAME		MENCOM CORPORATION	
DRAWN	BEM	TITLE:	
CHECKED		SIZE <b>B</b> DWG. NO. MDC-5MR-PCB	
ENG APPR.		REV <b>A</b>	
MFG APPR.		SCALE: 2:1 WEIGHT: SHEET 1 OF 1	
Q.A.			
COMMENTS:			