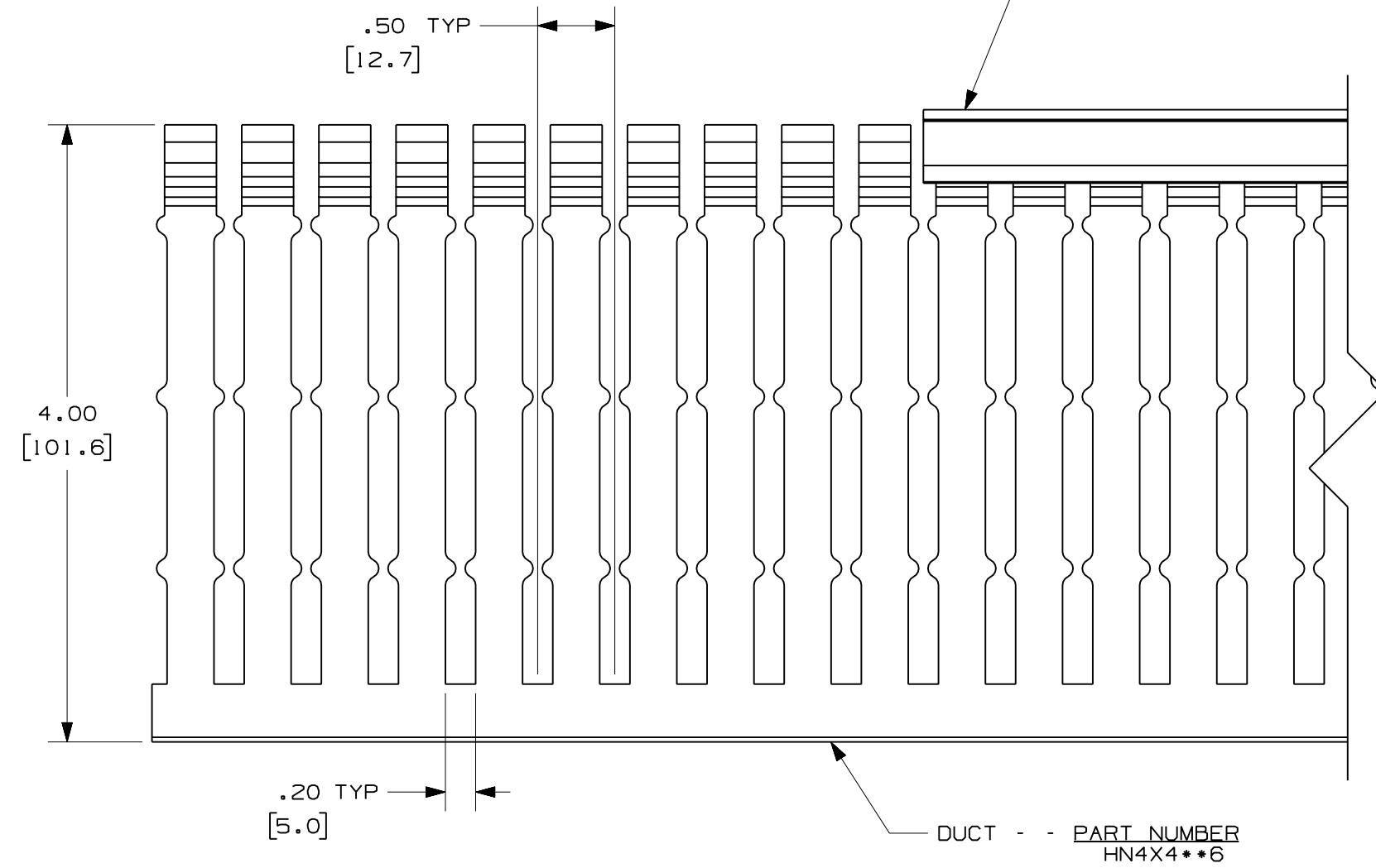
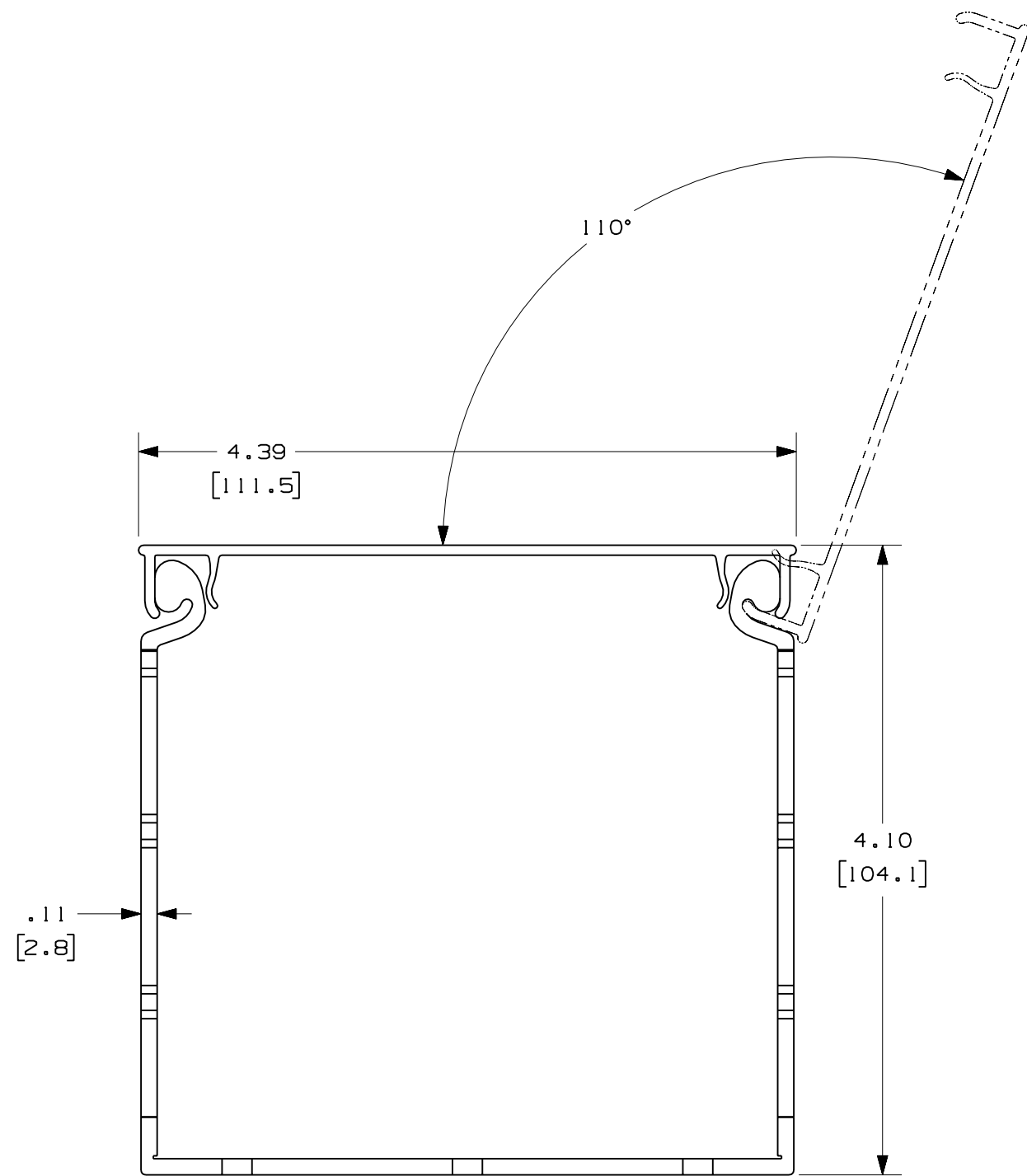
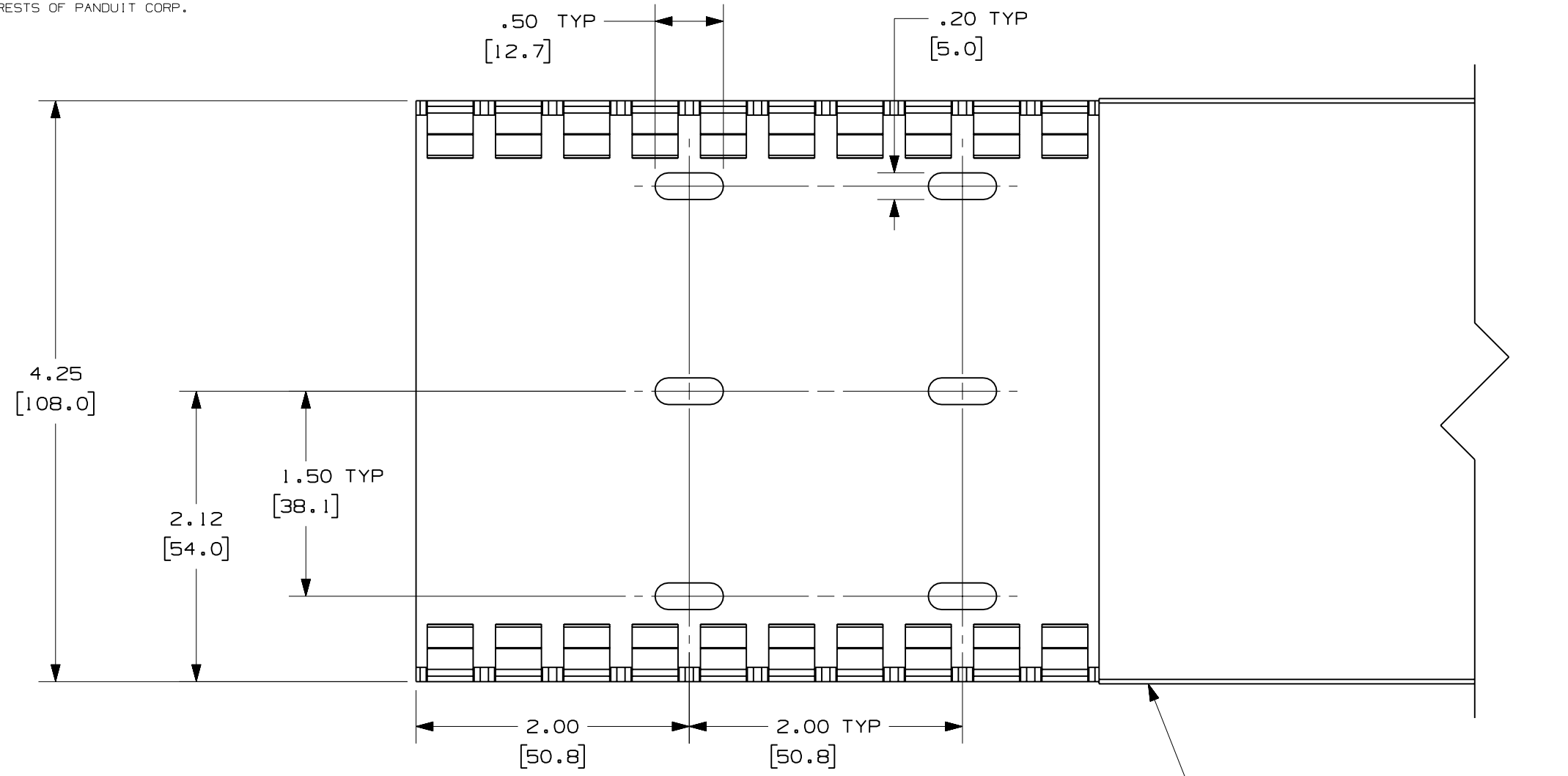


THIS COPY IS PROVIDED ON A RESTRICTED BASIS AND IS NOT TO BE USED IN ANY WAY DETRIMENTAL TO THE INTERESTS OF PANDUIT CORP.



- NOTES:
 1. ALL DIMENSIONS ARE REFERENCE ONLY.
 2. DIMENSIONS IN PARENTHESES ARE METRIC.
 3. THE ** INDICATES COLOR.
 4. DUCT AND COVER ARE AVAILABLE IN 6 FT (1828.8) LENGTHS.

				CAD FILENAME/LAYERS				DI1000VB_DC/00A	
				<h1 style="text-align: center;">PANDUIT</h1> CORP TINLEY PARK, ILLINOIS WIRING DUCT - TYPE HN DUCT WITH COVER 4X4 MARKETING DRAWING					
				DRAWN BY		MATERIAL		SCALE	
				JCST		PVC		FULL	
				DATE		DRAWING NO.		DWG	
				11-19-07		36897-1244		C	
				CHK'D		SIZE			
				MKBE					
REV	DATE	BY	CHK	DESCRIPTION					
R	11-19-07	JCST	MKBE	DRAWING RELEASED					