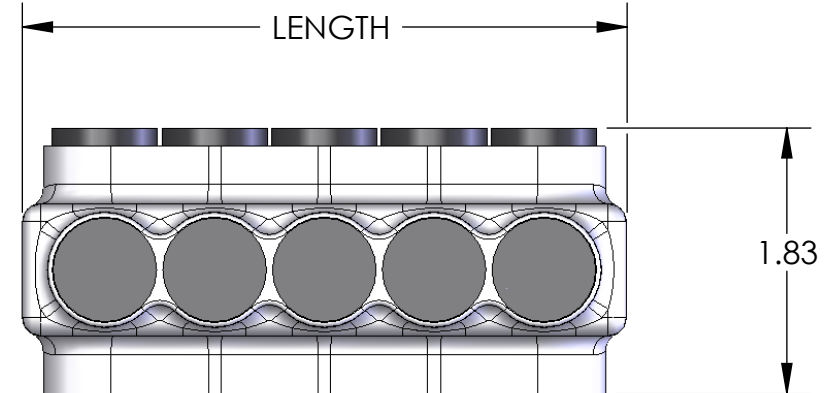
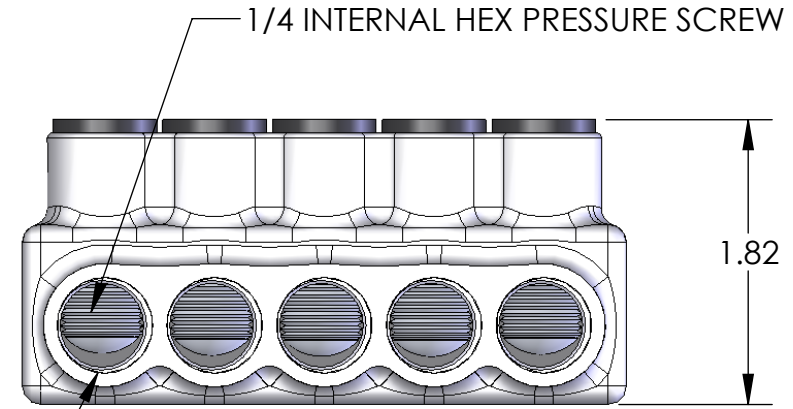
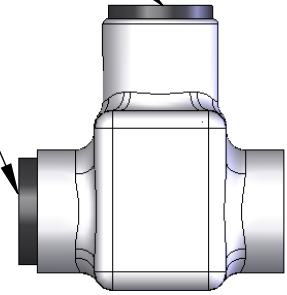


REMOVABLE CAP TO TIGHTEN SCREW (REPLACE WHEN COMPLETE)



IPLD3/0-5 SHOWN

REMOVABLE CAP FOR DUAL ENTRY (INSERT IN OTHER SIDE)



1/4 INTERNAL HEX PRESSURE SCREW

PART NUMBER	NO. OF PORTS	LENGTH
IPLD3/0-3	3	2.68
IPLD3/0-4	4	3.46
IPLD3/0-5	5	4.24
IPLD3/0-6	6	5.02
IPLD3/0-8	8	6.58
IPLD3/0-10	10	8.14
IPLD3/0-12	12	9.70

WIRE ENTRY POINT
WIRE RANGE: 3/0 - #6AWG
PRE-FILLED W/ OXIDE INHIBITOR

- NOTES:
- CONNECTOR MANUFACTURED FROM 6061-T6 ALUMINUM ALLOY.
 - UL LISTED PER UL486A/B SPECIFICATIONS FOR 600V.
 - DUAL RATED FOR 90°C COPPER AND/OR ALUMINUM CONDUCTOR.
 - COLD TEMPERATURE RATED TO -45°C.
 - HIGH DIELECTRIC STRENGTH INSULATION IS ABRASION AND CHEMICAL RESISTANT
 - UV RATED

		POLARIS SALES CO. INC	
<small>PROPRIETARY AND CONFIDENTIAL</small>		<small>11625 PROSPEROUS DRIVE ODESSA, FL 33556</small>	
<small>THE INFORMATION CONTAINED IN THIS DRAWING IS THE SOLE PROPERTY OF POLARIS SALES CO. INC. ANY REPRODUCTION IN PART OR AS A WHOLE WITHOUT THE WRITTEN PERMISSION OF POLARIS SALES CO. INC. IS PROHIBITED.</small>		TITLE: INSULATED DUAL ENTRY 3/0 CONNECTOR	
<small>NAME</small>		<small>DATE</small>	
<small>DRAWN BY</small> L. HILL		<small>8-6-09</small>	
<small>MATERIAL:</small> N/A		<small>SCALE:</small> N/A	
<small>DWG. NO.</small>		IPLD3/0-SERIES	
<small>SHEET:</small> 1 OF 1			