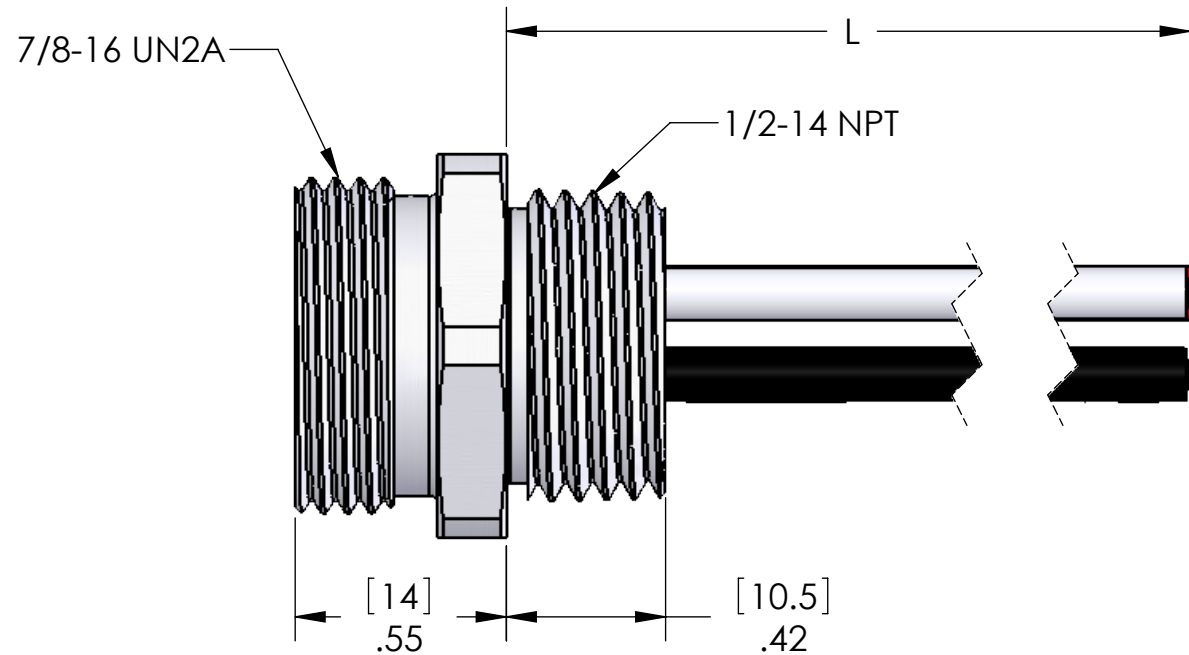
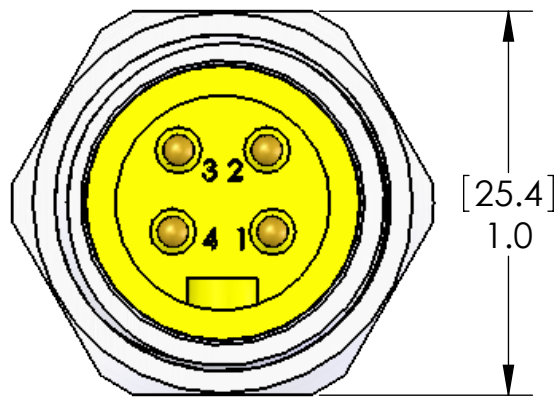


PIN #	COLOR
1	BLACK
2	WHITE
3	RED
4	GREEN / YELLOW



JAM-NUT AND O-RING ARE INCLUDED FOR LENGTHS OF 0.5M AND LONGER

TABLE A	
P/N	L
MINH-4MR-1	12" [0.3m]
MINH-4MR-0.5M	20" [0.5m]
MINH-4MR-0.6M	24" [0.6m]
MINH-4MR-1M	40" [1m]
MINH-4MR-2M	79" [2m]
MINH-4MR-3M	118" [3m]
MINH-4MR-5M	197" [5m]

OTHER LENGTHS AVAILABLE
PLEASE CONSULT FACTORY

MATERIALS	
BODY:	CLEAR ANODIZED ALUMINUM
CONTACTS:	GOLD PLATED COPPER ALLOY
INSERT:	YELLOW PVC
WIRE:	14AWG UL1015
JAM-NUT:	ZINC PLATED STEEL
O-RING:	NBR

APPROVALS	
U.S.	UL LISTED
CANADA	C-UL LISTED

PROPRIETARY AND CONFIDENTIAL
THE INFORMATION CONTAINED IN THIS DRAWING IS THE SOLE PROPERTY OF MENCOM CORPORATION. ANY REPRODUCTION IN PART OR AS A WHOLE WITHOUT THE WRITTEN PERMISSION OF MENCOM CORPORATION IS PROHIBITED.

VOLTS	600V
AMPS	15A
TEMP:	105°C

UNLESS OTHERWISE SPECIFIED:	DRAWN BY	ADM
DIMENSIONS ARE IN INCHES AND [MM]	DRAWN DATE	09/22/2016
	CHECKED BY	
	CHECK DATE	
	COMMENTS:	
MATERIAL		
FINISH		
DO NOT SCALE DRAWING		

MENCOM CORPORATION		
TITLE:		
SIZE	DWG. NO.	REV
B	MINH-4MR-ZZ	A
SCALE: 2:1	WEIGHT:	SHEET 1 OF 1