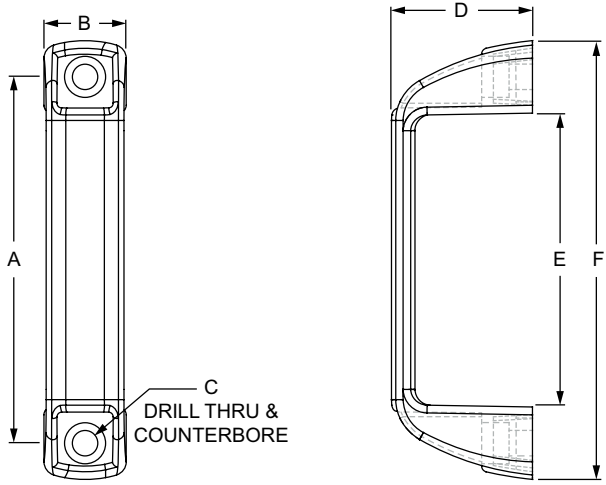


# 80/20 Panels & Doors

## Plastic Door Handle

- Used indoor or outdoor
- Mounts directly to T-slot profile or plastic panel



Part No.	Series	Material	Finish	Process	Color	A	B	C	D	E	F	Weight		
2062	10	Glass-Filled Nylon	Textured	Molded	Black	3.681"	.827"	1/4	1.417"	2.953"	4.409"	.048 lb		
2882	10				Red	3.681"	.827"	1/4	1.417"	2.953"	4.409"	.060 lb		
2061	15				Black	4.606"	1.024"	5/16	1.614"	3.779"	5.472"	.079 lb		
2881	15				Red	4.606"	1.024"	5/16	1.614"	3.779"	5.472"	.093 lb		
2060	15				Black	7.047"	1.102"	5/16	1.969"	6.181"	8.189"	.178 lb		
2880	15				Red	7.047"	1.102"	5/16	1.969"	6.181"	8.189"	.168 lb		
25-2062	25 30				Black	93.50mm	21.00mm	M6	36.00mm	75.00mm	112.00mm	112.00mm	112.00mm	.0213 kg
25-2882	25 30				Red	93.50mm	21.00mm	M6	36.00mm	75.00mm	112.00mm	112.00mm	112.00mm	.0273 kg
40-2061	40				Black	117.00mm	26.00mm	M8	41.00mm	96.00mm	139.00mm	139.00mm	139.00mm	.0262 kg
40-2881	40				Red	117.00mm	26.00mm	M8	41.00mm	96.00mm	139.00mm	139.00mm	139.00mm	.0426 kg
40-2060	40				Black	179.00mm	28.00mm	M8	50.00mm	157.00mm	208.00mm	208.00mm	208.00mm	.0812 kg
40-2880	40				Red	179.00mm	28.00mm	M8	50.00mm	157.00mm	208.00mm	208.00mm	208.00mm	.0749 kg

### Suggested Hardware (Mount to T-Slot)

Part No.	Series	Qty.	Bolt	T-Nut
3491	10	2	1/4-20 x 1/2" SHCS	Economy
3454	15	2	5/16-18 x 5/8" SHCS	Economy
75-3521	25 30	2	M6 x 12mm SHCS	Economy
75-3634	40	2	M8 x 18mm SHCS	Economy

### Suggested Hardware (Mount to Panel ≤ .250" / 6mm)

Part No.	Series	Qty.	Bolt	T-Nut
3315	10	2	1/4-20 x 7/8" SHCS & Washer	Hex Nut
3473	15	2	5/16-18 x 1" SHCS & Washer	Hex Nut
75-3470	25 30	2	M6 x 16mm SHCS & Washer	Hex Nut
75-3475	40	2	M8 x 20mm SHCS & Washer	Hex Nut

