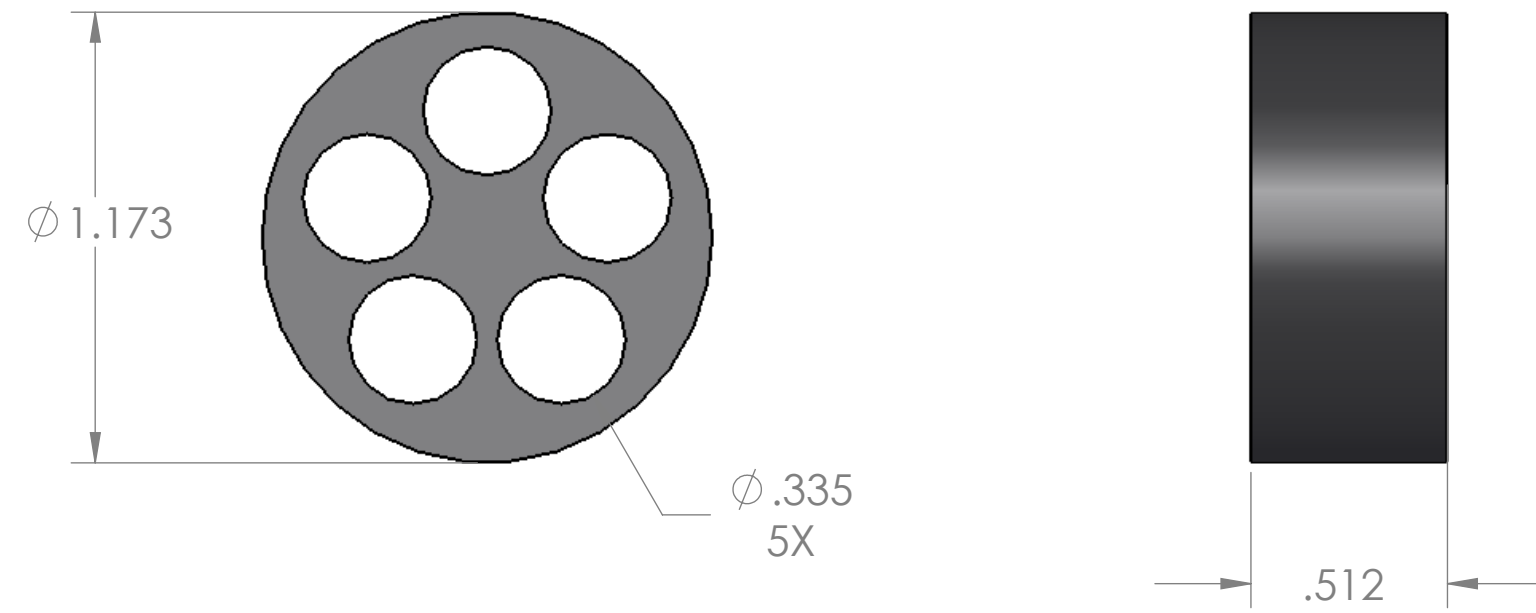


REVISIONS			
REV.	DESCRIPTION	DATE	APPROVED
A	REDRAWN IN SW	2/28/2005	



<b>CAN BE USED IN:</b>
MCG-29
MCG-29R
PCG-29
PCG-29-B
PCG-29R
PCG-29R-B
PCG-1.0
PCG-1.0-B
PCG-1.0R
PCG-1.0R-B
PCG-M32
PCG-M32-B

**MATERIAL:** TPE

TO OBTAIN IP65 SEAL IN ONE OF THE LISTED CABLE GLANDS, THE O.D. OF THE CABLE MUST BE WITHIN .02" OF THE HOLE DIAMETERS

**PROPRIETARY AND CONFIDENTIAL**  
 THE INFORMATION CONTAINED IN THIS DRAWING IS THE SOLE PROPERTY OF MENCOM CORPORATION. ANY REPRODUCTION IN PART OR AS A WHOLE WITHOUT THE WRITTEN PERMISSION OF MENCOM CORPORATION IS PROHIBITED.

UNLESS OTHERWISE SPECIFIED:		NAME	MENCOM CORPORATION	
DIMENSIONS ARE IN INCHES		DRAWN	BEM	
TOLERANCES:		CHECKED	TITLE:	
FRACTIONAL ± 1/64		ENG APPR.		
ANGULAR: MACH ± 5° BEND ± 5°		MFG APPR.		
TWO PLACE DECIMAL ± .01		Q.A.		
THREE PLACE DECIMAL ± .004		COMMENTS:		
MATERIAL			SIZE	DWG. NO.
FINISH			<b>B</b>	PG29-5X8.5
			SCALE: 4:1	WEIGHT:
	DO NOT SCALE DRAWING			REV
				<b>A</b>
				SHEET 1 OF 1