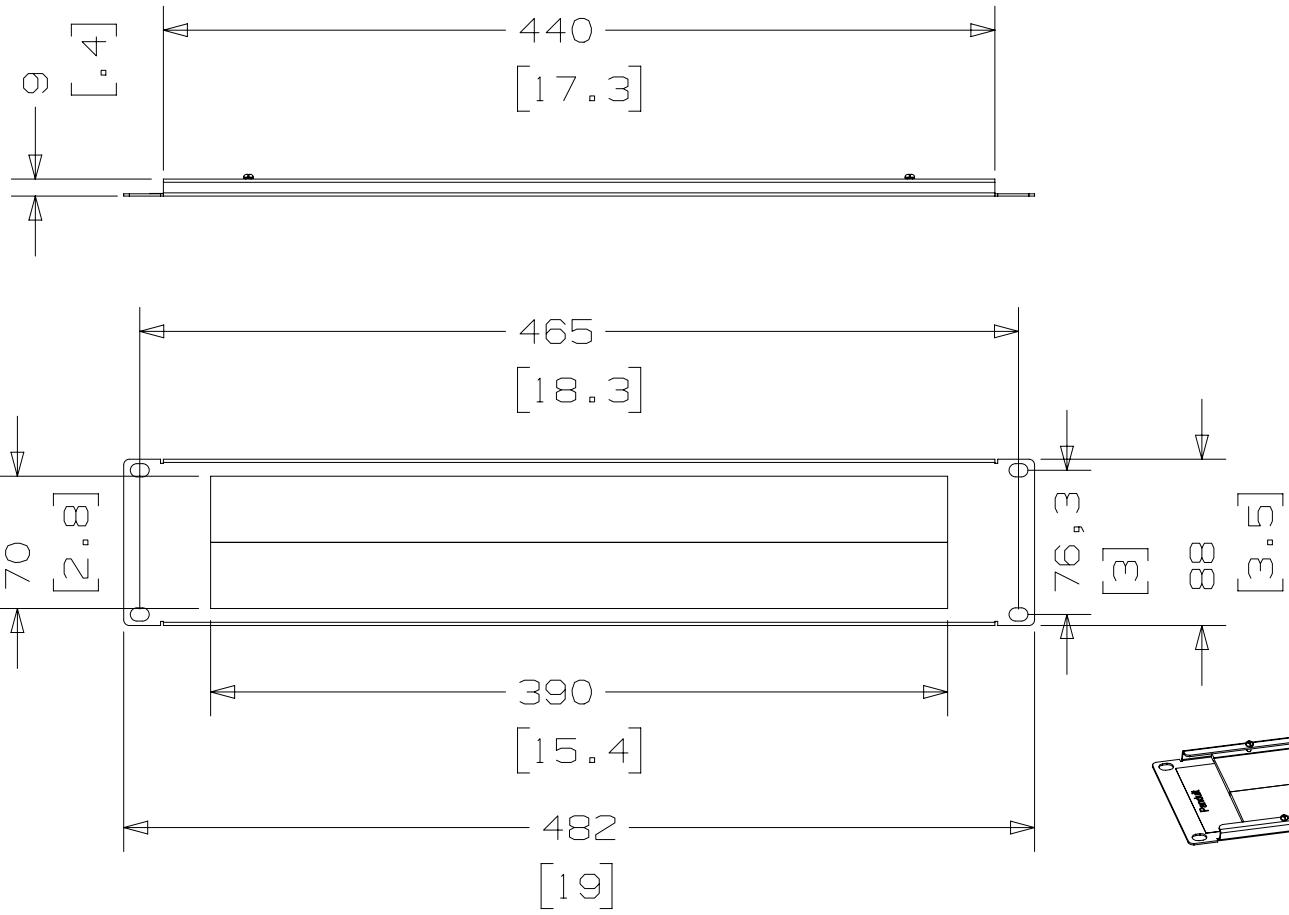
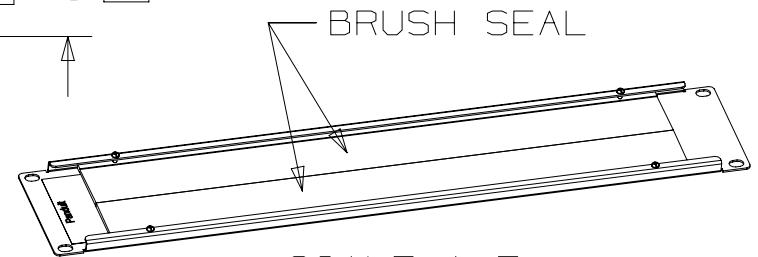


THIS COPY IS PROVIDED ON A RESTRICTED BASIS AND IS NOT TO BE USED IN ANY WAY DETRIMENTAL TO THE INTERESTS OF PANDUIT CORP.



- NOTES:
- VISIT OUR ON-LINE CATALOG AT WWW.PANDUIT.COM FOR A LIST OF CURRENT PARTS APPLICABLE FOR USE WITH THIS PRODUCT.
 - PRIMARY DIMENSIONS ARE MILLIMETERS (IN).
 - PARTS SUPPLIED:
 - (1) - BLANKING PANEL WITH BRUSH SEAL
 - (4) - M6 X1X12MM PHILLIPS HEAD SCREW
 - (4) - M6 X1MM CAGE NUT
 - (4) - #12-24 X 1/2" SCREW
 - COLOR:BLACK
 - THE BRUSHES ARE UL94-V0 RATED

PANDUIT P/N	WEIGHT
BR2B	0.5 Kg/EACH 1.1 LBS/EACH



SCALE 1:5
BACK SIDE VIEW

REV	DATE	BY	CHK	APR	DESCRIPTION	ECN
01A	04/10/18	LLK	EWSA		DRAWING REVISED	00132EAB/01
00A	01/30/18	LLK	MWH		RELEASED TO PRODUCTION	00132EAB/00

TITLE		19" 2 RU Brush Seal Blank Panel with Front to Back Cable Passthrough	
ITEM REVISION NAME		CUSTOMER DRAWING	
DATASET FILE NAME		00132EAB_DC/01A	
MATERIAL:		N/A	
DRAWING NUMBER:		00132EAB-DC	
DRAWN BY		DATE	THIRD ANGLE PROJECTION
CHN-LLK	2018 Jan 30	MWH	SCALE 1:4
SHT 1 OF 1		SIZE A	

D10100DA/16