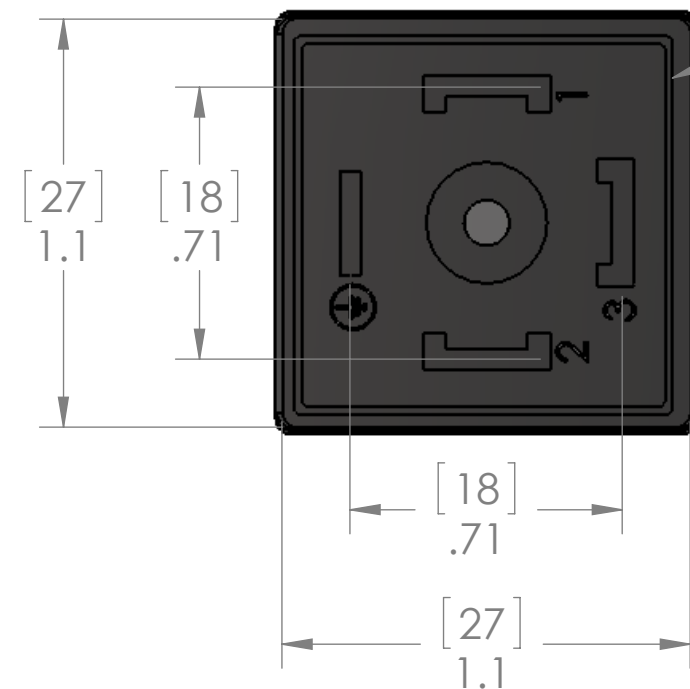


PIN #	COLOR
1	BROWN
2	GRAY
3	BLACK
GND	GREEN/YELLOW

REVISIONS		
REV.	DESCRIPTION	DATE
A	REDRAWN IN SW	4/22/2008
B	CHANGED OVERMOLD	2/20/2014



GASKET MOLDED ONTO CONNECTOR FACE

[7]  
Ø .26

CIRCUIT N

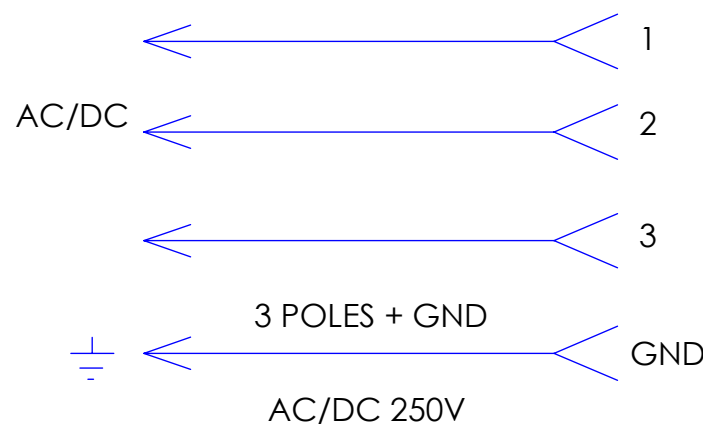


TABLE A	
P/N	L
VAN-190-00	1M
VAN-290-00	2M
VAN-390-00	3M
VAN-490-00	4M
VAN-590-00	5M
VAN-690-00	6M
VAN-A90-00	10M

MATERIALS	
BODY:	BLACK POLYAMIDE
CONTACTS:	SILVER PLATED COPPER ALLOY
CABLE:	BLACK 18/4 OIL RESISTANT
GASKET:	THERMOPLASTIC
SCREW:	ZINC PLATED STEEL

**PROPRIETARY AND CONFIDENTIAL**  
THE INFORMATION CONTAINED IN THIS DRAWING IS THE SOLE PROPERTY OF MENCOM CORPORATION. ANY REPRODUCTION IN PART OR AS A WHOLE WITHOUT THE WRITTEN PERMISSION OF MENCOM CORPORATION IS PROHIBITED.

VOLTS	
AMPS	10A
SPECIFICATIONS	

UNLESS OTHERWISE SPECIFIED: DIMENSIONS ARE IN INCHES & [MM]	DRAWN	NAME
	CHECKED	CAM
	ENG APPR.	
	MFG APPR.	
	Q.A.	
MATERIAL		MENCOM CORPORATION
FINISH		
DO NOT SCALE DRAWING		TITLE: DIN A W/O ELECT 3+E GND OPP CBL
		SIZE DWG. NO. REV <b>B</b> VAN-ZZ90-00 <b>B</b>
		SCALE: 2:1 WEIGHT: SHEET 1 OF 1