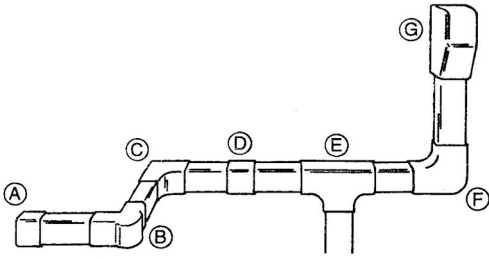


# PANDUIT PAN-WAY SURFACE RACEWAY TIA/EIA COMPLIANT FITTINGS

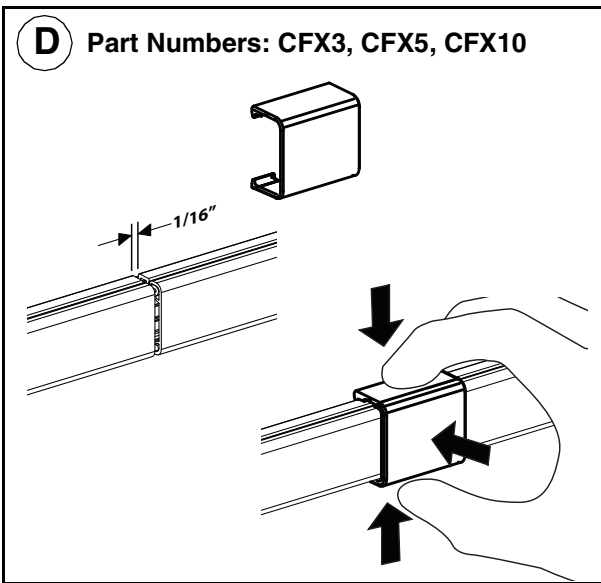
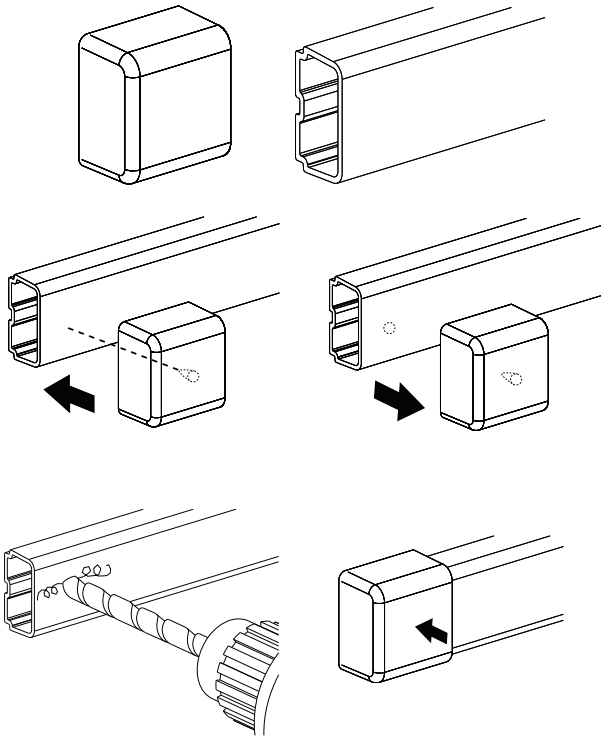
© Panduit Corp. 2022

INSTALLATION INSTRUCTIONS

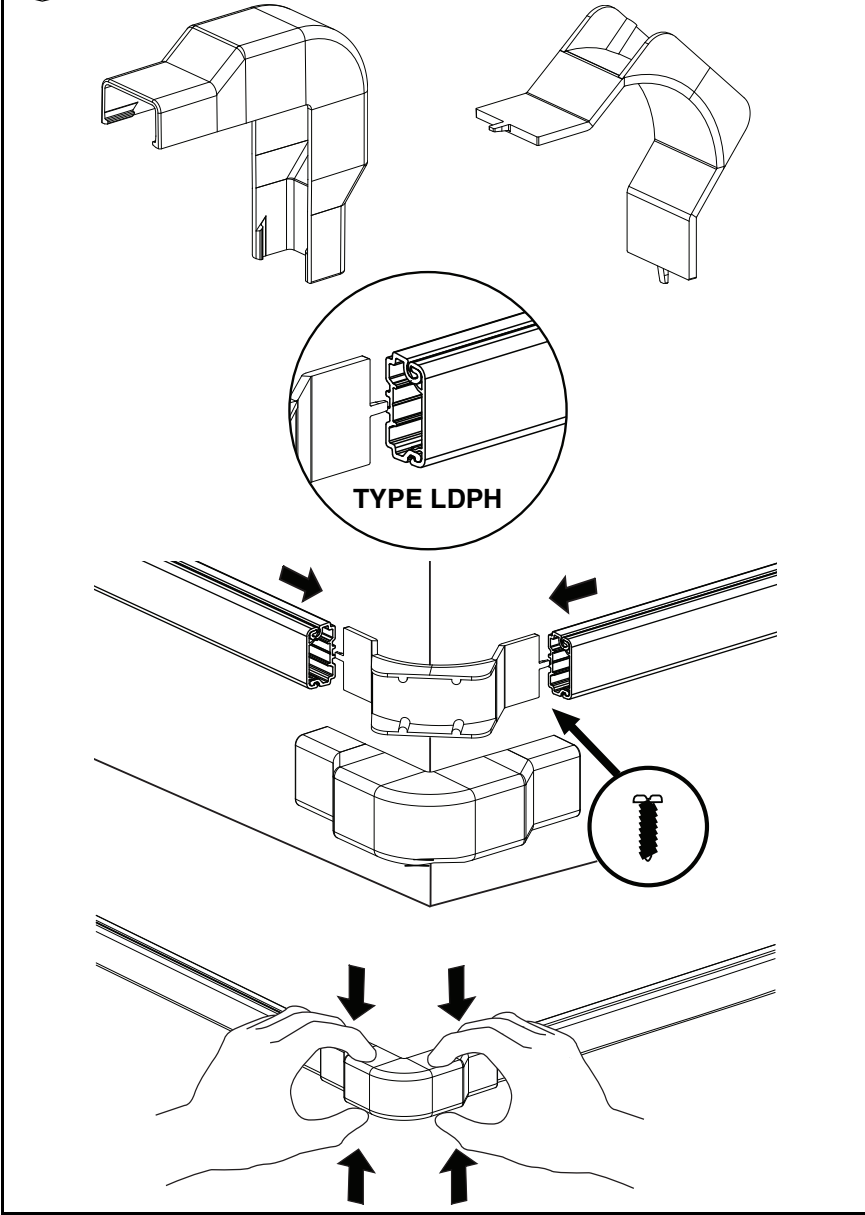
PN26\_rev02



**A** Part Numbers: ECFX3, ECFX5, ECFX10



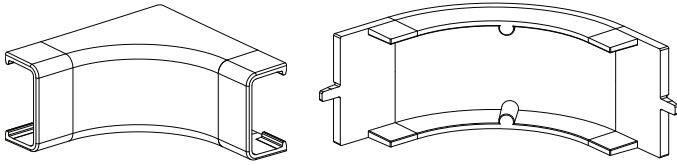
**B** Part Numbers: OCFX3, OCFX5, OCFX10



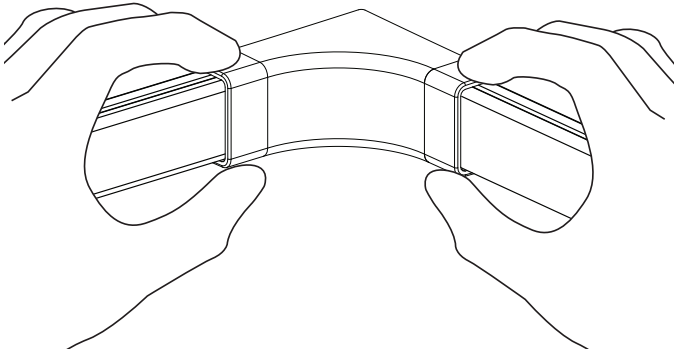
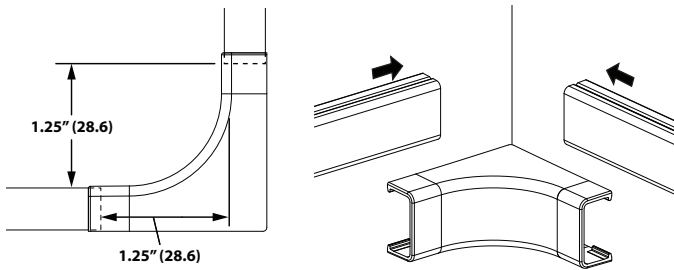
**A B D**  
Low voltage or power applications up to 600V

For Technical Support: [www.panduit.com](http://www.panduit.com)

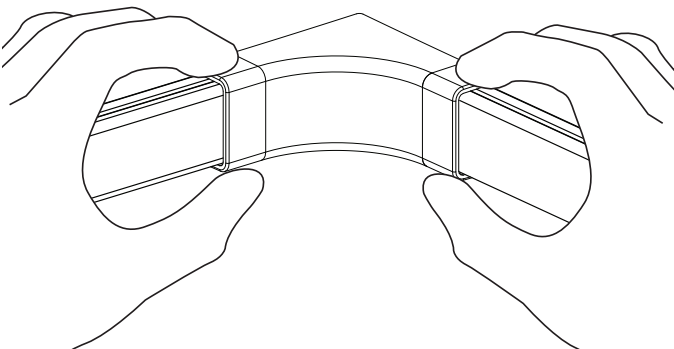
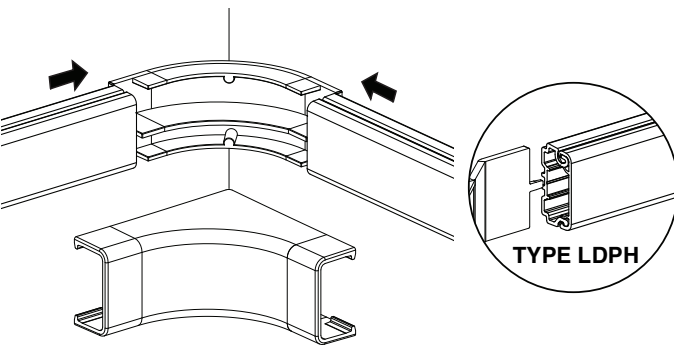
**C** Part Numbers: ICFC3, ICFC5, ICFC10  
Part Numbers: ICFX3, ICFX5, ICFX10



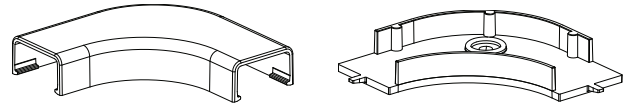
Low voltage applications (cover only)



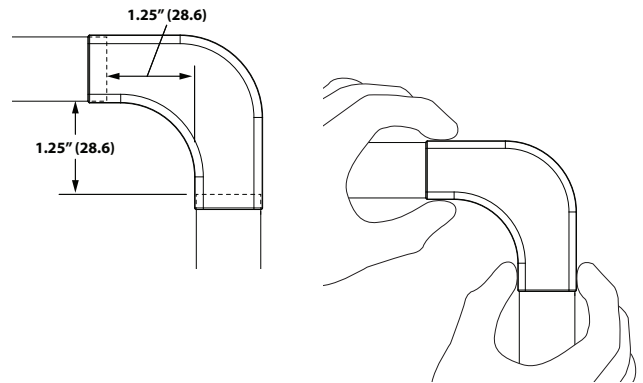
Low voltage or power applications up to 600V



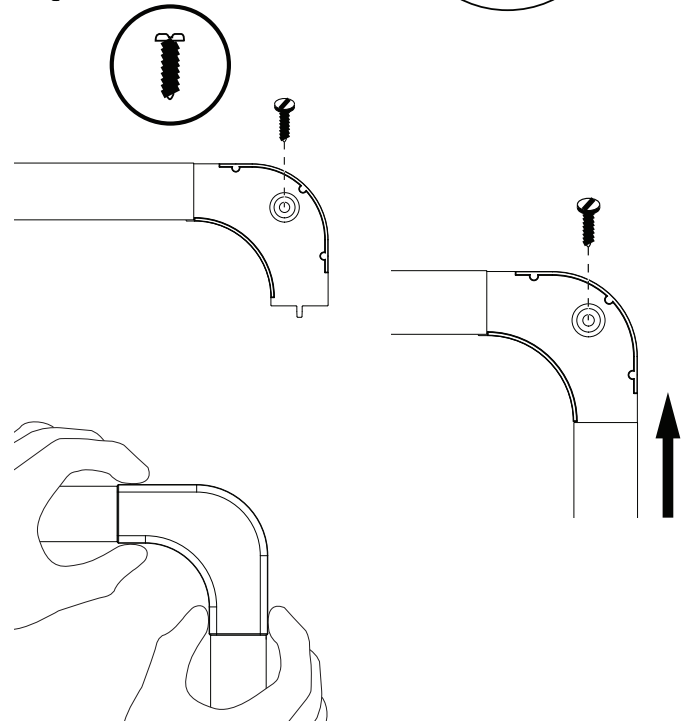
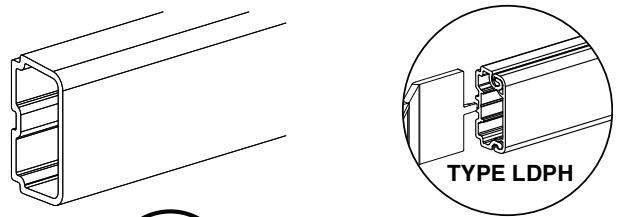
**F** Part Numbers: RAFC3, RAFC5, RAFC10  
Part Numbers: RAFX3, RAFX5, RAFX10



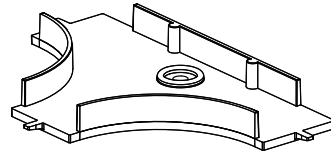
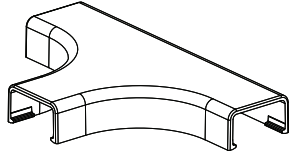
Low voltage applications (cover only)



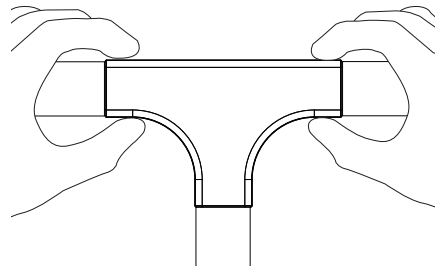
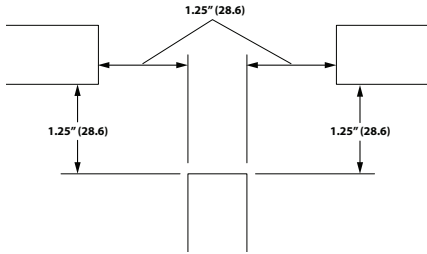
Low voltage applications (cover only)



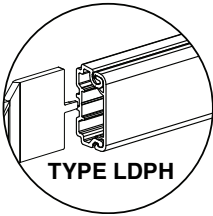
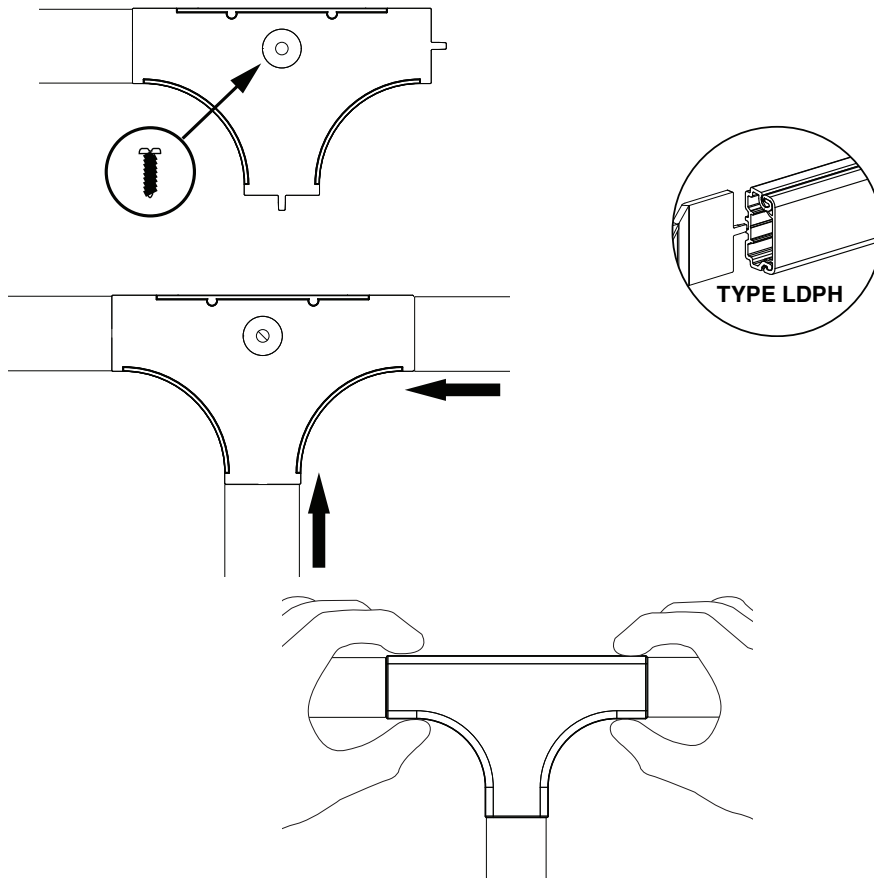
**E** Part Numbers: TFC3, TFC5, TFC10  
Part Numbers: TFX3



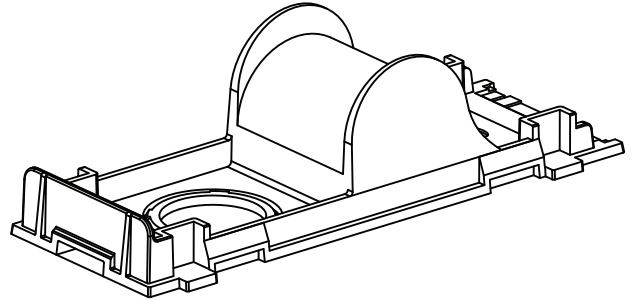
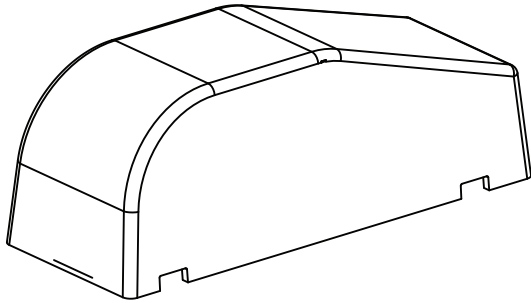
Low voltage applications (cover only)



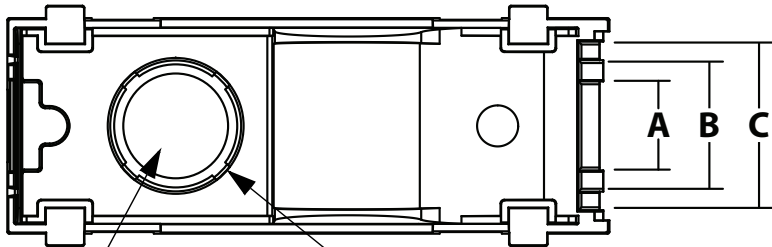
Low voltage or power applications up to 600V



**G** Part Number: RAEFX

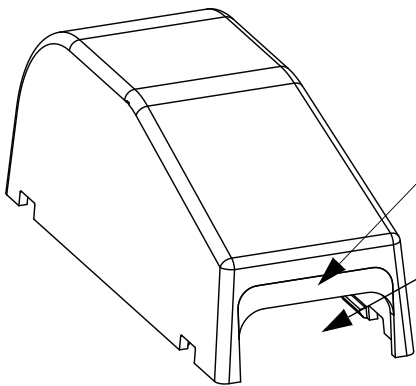


Low voltage or power applications up to 600V



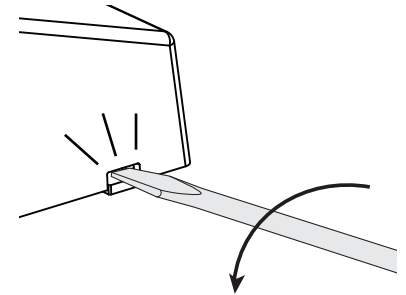
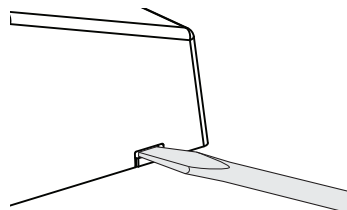
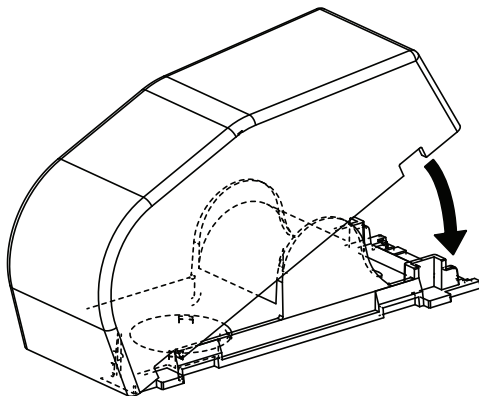
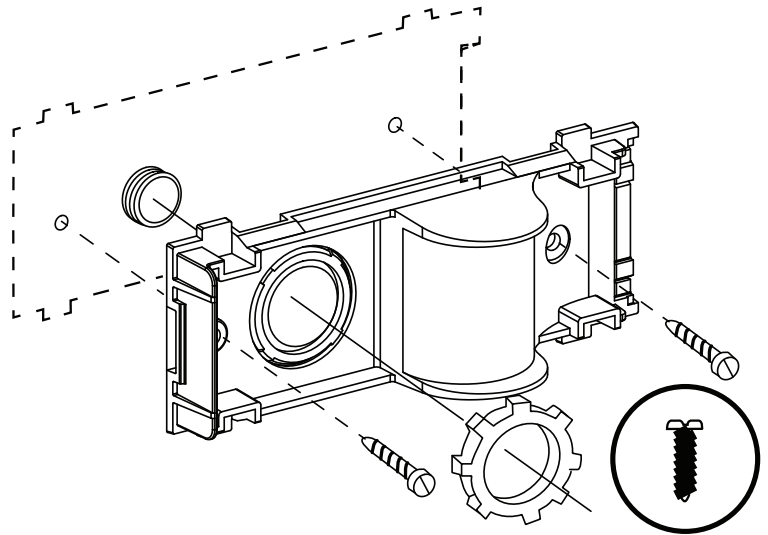
1/2" conduit opening      3/4" conduit breakout

Raceway Breakout	Used with PAN-WAY™ Raceway
A	LD3, LDPH3
B	LD5, LDPH5
C	LD10, LDPH10



Breakout for:  
LD10, LDPH10

Opening for:  
LD3, LD5,  
LDPH3,  
LDPH5



For Instructions in Local Languages  
and Technical Support:  
[www.panduit.com](http://www.panduit.com)

**PANDUIT**  
[www.panduit.com](http://www.panduit.com)

E-mail:  
[techsupport@panduit.com](mailto:techsupport@panduit.com)  
Phone:  
866-405-6654