

PIN #	WIRING	PIN #
1	-----	1
2	-----	2
3	-----	3
4	-----	4

REVISIONS			
REV.	DESCRIPTION	DATE	APPROVED
A	REDRAWN IN SW	5/14/2009	

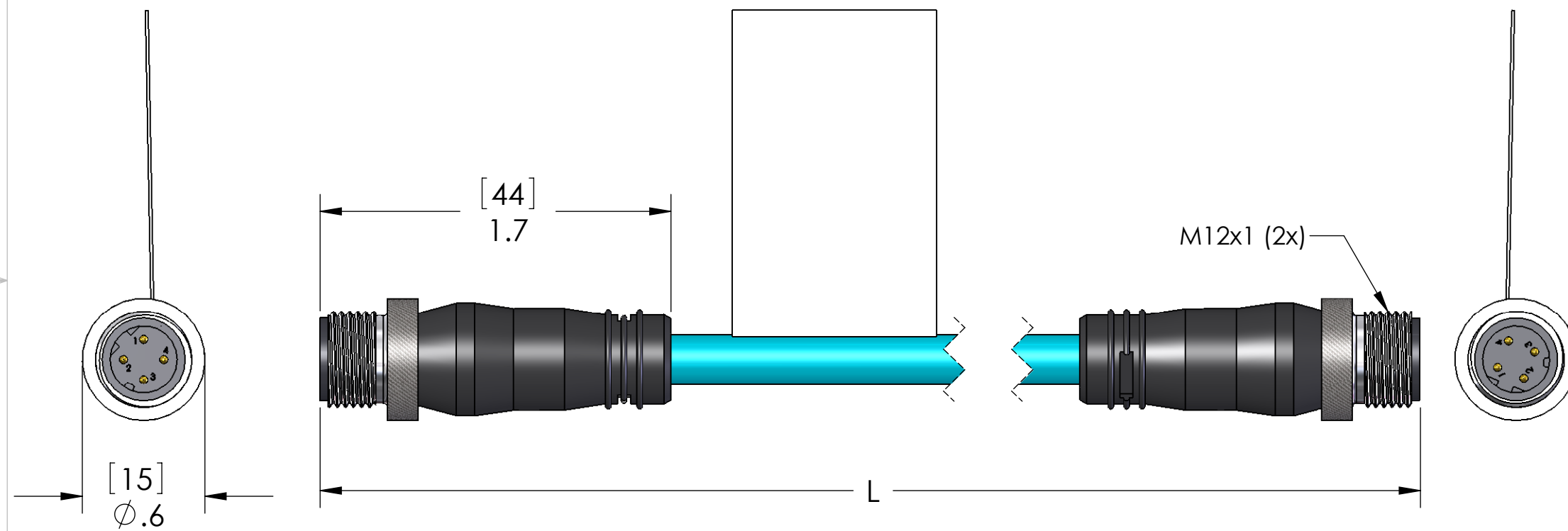


TABLE A	
P/N	L
MDE45P-4MMP-0.5M	19" [0.5m]
MDE45P-4MMP-1M	40" [1m]
MDE45P-4MMP-1.5M	59" [1.5m]
MDE45P-4MMP-2M	79" [2m]
MDE45P-4MMP-3M	118" [3m]
MDE45P-4MMP-4M	157" [4m]
MDE45P-4MMP-5M	197" [5m]
MDE45P-4MMP-6M	236" [6m]
MDE45P-4MMP-8M	315" [8m]
MDE45P-4MMP-10M	393" [10m]
MDE45P-4MMP-15M	590" [15m]
MDE45P-4MMP-20M	786" [20m]

MATERIALS:	
CABLE:	24/4 CAT 5e CABLE WITH PUR JKT
OVERMOLD:	BLACK PUR
COUPLINGS:	NICKEL PLATED BRASS
CONTACTS:	GOLD PLATED COPPER ALLOY
INSERTS:	POLYAMIDE

**PROPRIETARY AND CONFIDENTIAL**  
 THE INFORMATION CONTAINED IN THIS DRAWING IS THE SOLE PROPERTY OF MENCOM CORPORATION. ANY REPRODUCTION IN PART OR AS A WHOLE WITHOUT THE WRITTEN PERMISSION OF MENCOM CORPORATION IS PROHIBITED.

VOLTS	300V
AMPS	3A
TEMP:	80°C

UNLESS OTHERWISE SPECIFIED:  
 DIMENSIONS ARE IN INCHES AND [MM]  
 MATERIAL  
 FINISH  
 DO NOT SCALE DRAWING

NAME	
DRAWN	BEM
CHECKED	
ENG APPR.	
MFG APPR.	
Q.A.	
COMMENTS:	

MENCOM CORPORATION		
TITLE:		
SIZE	DWG. NO.	REV
<b>B</b>	MDE45P-4MMP-ZZ	<b>A</b>
SCALE: 3:2	WEIGHT:	SHEET 1 OF 1