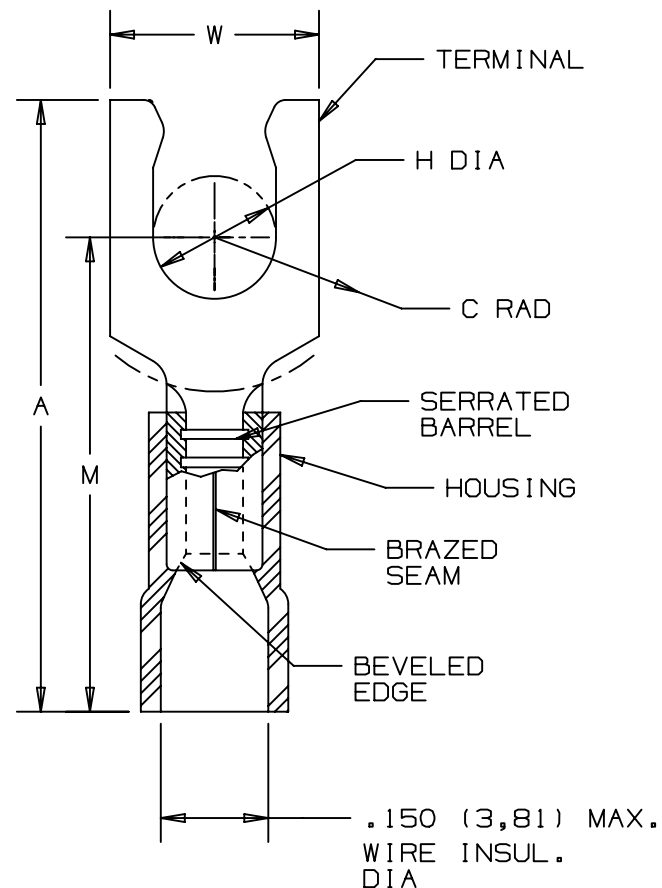


THIS COPY IS PROVIDED ON A RESTRICTED BASIS AND IS NOT TO BE USED IN ANY WAY DETRIMENTAL TO THE INTERESTS OF PANDUIT CORP.

PANDUIT PART NUMBER	STUD SIZE	DIMENSIONS - in.					TOOLS
		A ± .03 (22.9)	W ± .01 (6.9)	C ± .02 (5.6)	M ± .03 (17.3)	H ± .01 (3.6)	
PV18-6LF	#6	.90 (22.9)	.27 (6.9)	.22 (5.6)	.68 (17.3)	.14 (3.6)	CT-100A CT-600A (CT-500CH) CT-600A (CT-550CH) CT-1550 CT-1551
PV18-6LFW	#6	.90 (22.9)	.29 (7.4)	.22 (5.6)	.68 (17.3)	.14 (3.6)	
PV18-8LF	#8	.97 (24.6)	.29 (7.4)	.25 (6.4)	.73 (18.5)	.16 (4.1)	
PV18-10LF	#10	.97 (24.6)	.33 (8.4)	.25 (6.4)	.73 (18.5)	.19 (4.8)	
PV18-10LFN	#10	.97 (24.6)	.29 (7.4)	.25 (6.4)	.73 (18.5)	.19 (4.8)	



NOTES:

- cULus LISTED FOR:
 - A. 600V MAX VOLTAGE RATING (1000V. MAX. IN SIGNS, FIXTURES & LUMINARIES)
 - B. 221° F (105° C) MAX TEMP RATING
 - C. #22-18 AWG STRANDED COPPER WIRE

2. SEE WWW.PANDUIT.COM FOR PACKAGE QUANTITIES

- MATERIAL:
 - A. STAMPING - .032" (.81) THK, COPPER TIN PLATED
 - B. HOUSING - VINYL, RED

4. DIMENSIONS IN BRACKETS ARE IN MILLIMETERS

5. WIRE STRIP LENGTH: 5/16 + 1/32 (7.9 + .8) - 0



TITLE		#22-18 BARREL FUNNELED VINYL INSULATED LOCKING FORK, .150 [3.81] MAX. WIRE INSULATION DIAMETER	
CUSTOMER DRAWING			
ITEM REVISION NAME		N41288BA/12	
DATASET FILE NAME		N41288BA/12	
UNLESS OTHERWISE SPECIFIED, DIMENSIONAL TOLERANCES ARE: IN [mm]		MATERIAL:	
.X ±		.XXX ±	
.XX ±		ANGLES ±	
DRAWING NUMBER:		SEE NOTES	
DRAWN BY		A41288	
DATE	CHK	SCALE	SIZE
MS	LA	NONE	A

REV	DATE	BY	CHK	APR	DESCRIPTION	ECN
12	07/14	MBY	JHNU	RGB	REVISED NOTES, MOVED TOOLS TO TABLE, REVISED CERTIFICATION, UPDATED BORDER	N41288BA-A41288

D10100DA/16