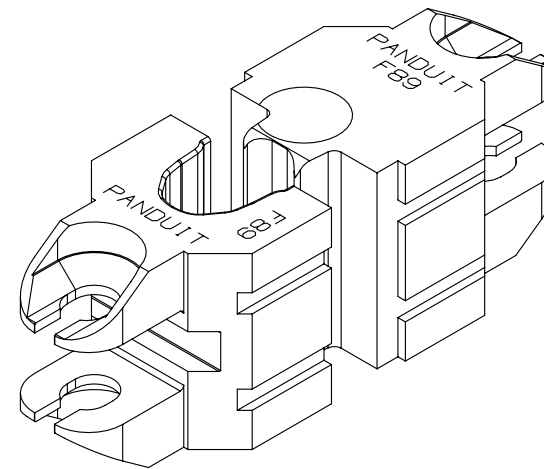
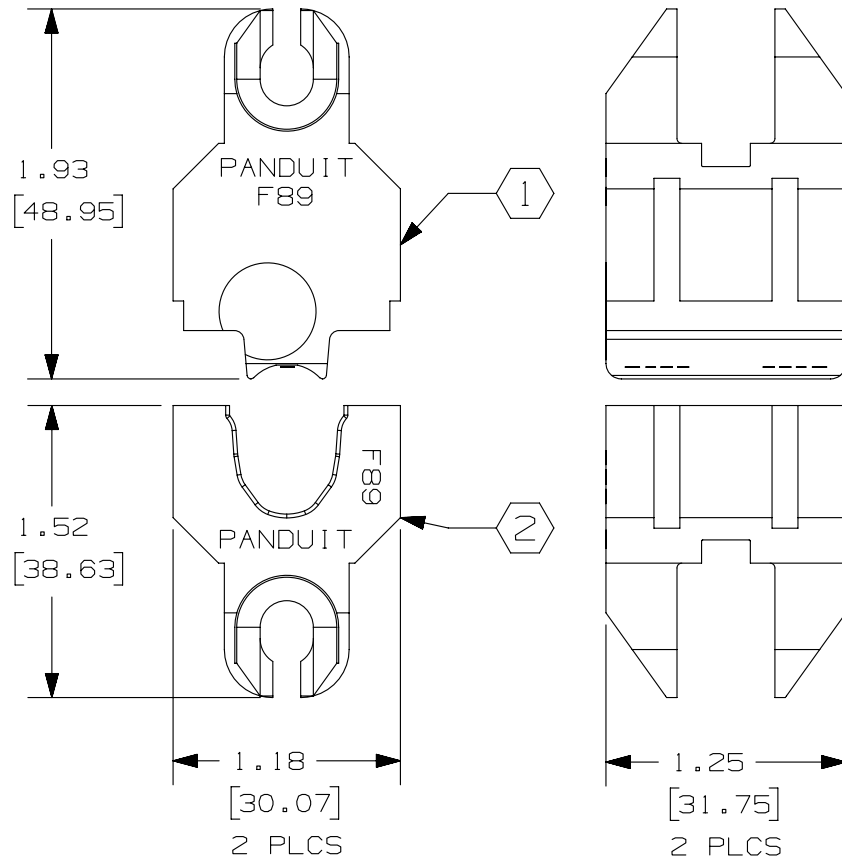


THIS COPY IS PROVIDED ON A RESTRICTED BASIS AND IS NOT TO BE USED IN ANY WAY DETRIMENTAL TO THE INTERESTS OF PANDUIT CORP.

ID	PART NUMBER	DESCRIPTION
1	CD-2001-F89	DIE, CRIMP - TP27014B01
2		DIE, F - TP27015B01

NOTES, UNLESS OTHERWISE SPECIFIED:

1. DIMENSIONS IN BRACKETS ARE IN METRIC.
2. RECOMMENDED TOOL: CT-3001
3. COMPATIBLE TOOL: CT-2001
4. WIRE SIZE: 2/0
5. CRIMPS: F89 FERRULES - ALL SIZES



REV	DATE	BY	CHK	APR	DESCRIPTION	ECN
03	02/20/13	SILD		ALP	⚠️ ADDED MORE DETAIL INFORMATION TO NOTE	4545
02	01/15/13	SILD		ALP	RELEASED	4545

TITLE		CD-2001-F89 CUSTOMER DRAWING		
CONTROL DRAWING				
ITEM REVISION NAME		R27007AA/03		
DATASET FILE NAME		R27007_DS_TP27007A01/03A		
UNLESS OTHERWISE SPECIFIED, DIMENSIONAL TOLERANCES ARE: IN [mm]		<b>PANDUIT</b> <sup>TM</sup> MATERIAL: 4140 STEEL / RC 32-35		
.x ± .1 [ 2.54 ]      .xxx ± .005 [ .127 ] .xx ± .01 [ .25 ]      ANGLES ± 5 °		DRAWING NUMBER: TP27007A01		
THIRD ANGLE PROJECTION		DRAWN BY	DATE	CHK
SILD	01/15/13	ALP	SCALE	1:1
SHT 1 OF 1		SIZE A		