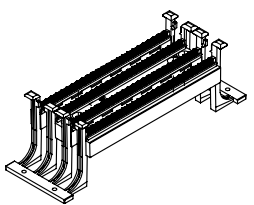


THIS COPY IS PROVIDED ON A RESTRICTED BASIS AND IS NOT TO BE USED IN ANY WAY DETRIMENTAL TO THE INTERESTS OF PANDUIT CORP.

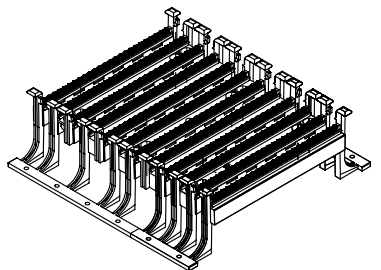
PART NO.	COMPONENT QUANTITY PER FIELD TERMINATED KITS (SEE NOTE 3)						WEIGHT LBS
	BASES		CONNECTING BLOCKS		LABEL HOLDERS	LABELS	
	P110BW100	P110BW300	P110CB4	P110CB5	P110LH	DSL110	
P110KB1004Y	1	-	20	4	2	2	.9
P110KB1005Y	1	-	-	20	2	2	.9
P110KB3004Y	-	1	60	12	6	6	2.3
P110KB3005Y	-	1	-	60	6	6	2.3

NOTES:

- IT IS COMMON PRACTICE TO COMPLETELY FILL EACH 25-PAIR WIRE STRIP WITH CONNECTING BLOCKS. EACH KIT CONTAINS THE ADEQUATE NUMBER OF CONNECTING BLOCKS TO DO SO. EXAMPLE: P110KB1004 INCLUDES FIVE 4-PAIR AND ONE 5-PAIR CONNECTING BLOCKS PER 25-PAIR WIRE STRIP FOR A TOTAL OF TWENTY 4-PAIR AND FOUR 5-PAIR CONNECTING BLOCKS, AS WELL AS TWO LABEL HOLDERS AND TWO WHITE DESIGNATION LABELS.
- WIRE SEPARATOR MARKED ACCORDING TO 25-PAIR TIP COLOR SCHEME.
- REFERENCE INDIVIDUAL CUSTOMER DRAWINGS FOR COMPONENT DETAILS.



LOCATED ON SHEET 2



LOCATED ON SHEET 3

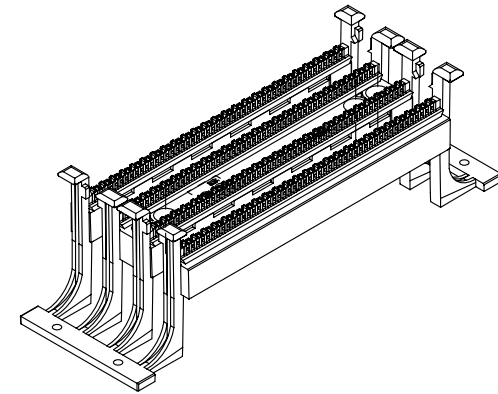
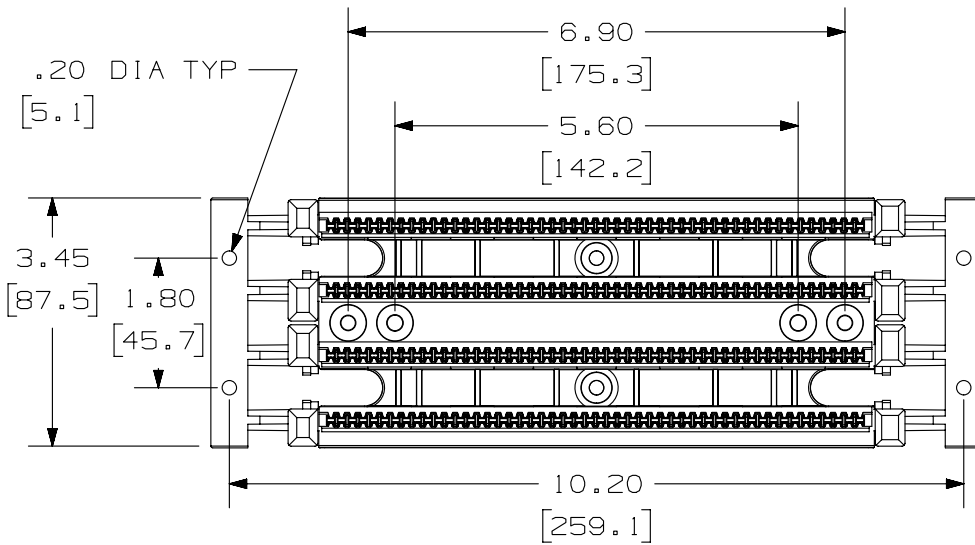


PART NUMBER		P110KB*00*Y	
TITLE			
FIELD TERMINATED 110 SYSTEM KITS WITH 4/5 PAIR		CONNECTING BLOCK	
CUSTOMER DRAWING			
ITEM REVISION NAME		M02479MH/00	
DATASET FILE NAME		M02479MH_DC321/00C	
UNLESS OTHERWISE SPECIFIED, DIMENSIONAL TOLERANCES ARE: IN [ mm ]		MATERIAL:	
.x ±	.xxx ± .010 [ .3 ]		
.xx ± .03 [ .8 ]	ANGLES ±		
DRAWING NUMBER:		02479-321	
DRAWN BY	DATE	CHK	SCALE
NER	3-28-06	WJC	NONE
REV		SHT 1 OF 3	
DATE		SIZE	
		A	

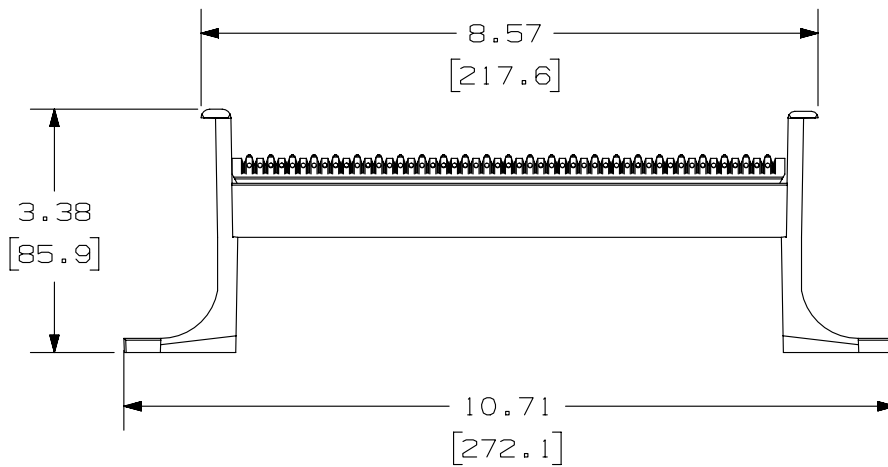
REV	DATE	BY	CHK	APR	DESCRIPTION	ECN
2	5-28-14	MDJR	REFR	MMR	A. UPDATED TITLE BLOCK AND ADDED ISO VIEWS ON ALL SHEETS. PREVIOUS REVISIONS HAVE BEEN REMOVED FOR CLARITY.	02479-321

D101000DA/14

THIS COPY IS PROVIDED ON A RESTRICTED BASIS AND IS NOT TO BE USED IN ANY WAY DETRIMENTAL TO THE INTERESTS OF PANDUIT CORP.



100 PAIR BASE SHOWN



PART NUMBER		P110KB*00*Y	
TITLE			
FIELD TERMINATED 110 SYSTEM KITS WITH 4/5 PAIR		CONNECTING BLOCK	
CUSTOMER DRAWING			
ITEM REVISION NAME		M02479MH/00	
DATASET FILE NAME		M02479MH_DC321/00C	
UNLESS OTHERWISE SPECIFIED, DIMENSIONAL TOLERANCES ARE: IN [ mm ]			
.x ±		.xxx ± .010 [ .3 ]	
.xx ± .03 [ .8 ]		ANGLES ±	
		THIRD ANGLE PROJECTION	
DRAWN BY		DATE	
NER		3-28-06	
CHK		SCALE	
WJC		NONE	
DRAWING NUMBER:		02479-321	
SHT 2 OF 3		A	

2	5-28-14	MDJR	REFR	MMR	SEE SHEET 1 OF 3 FOR CHANGES.	02479-321
REV	DATE	BY	CHK	APR	DESCRIPTION	ECN

D101000DA/14

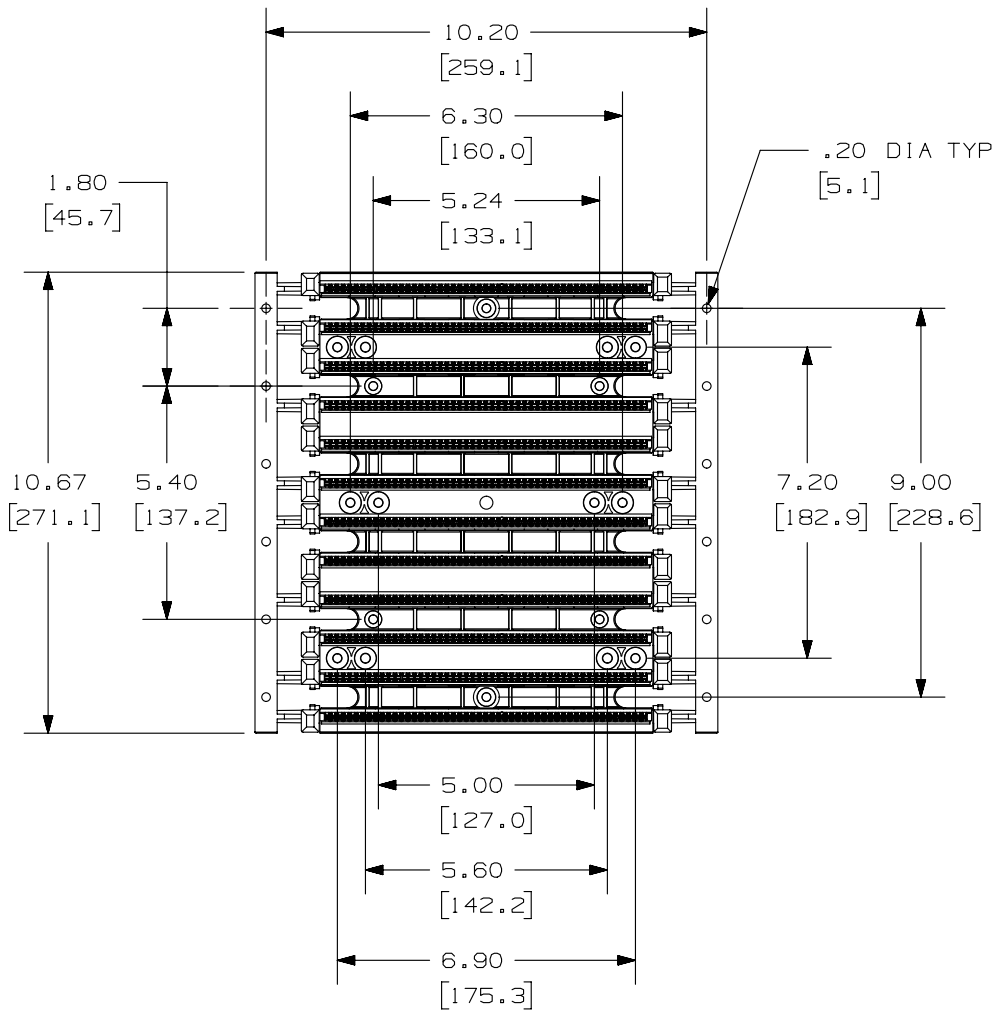
2

1

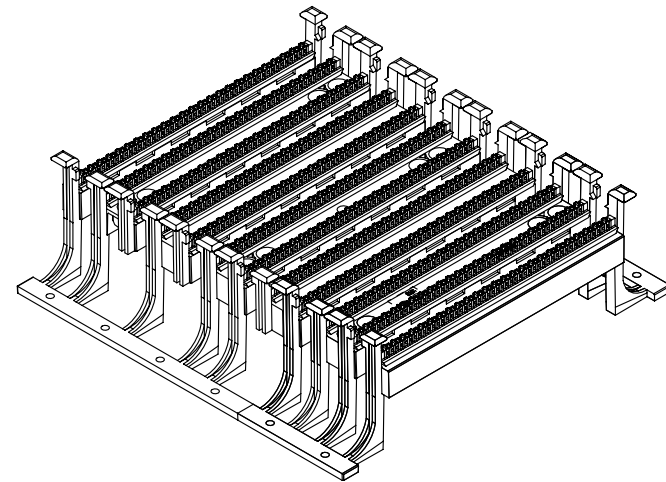
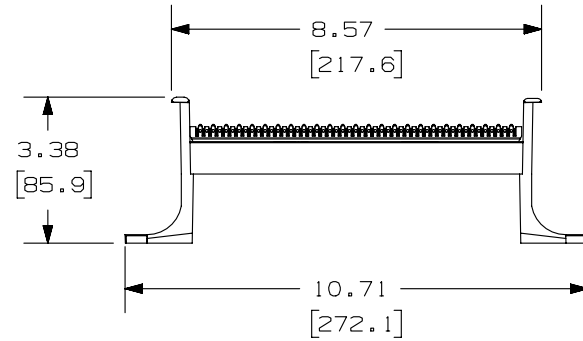
2

1

THIS COPY IS PROVIDED ON A RESTRICTED BASIS AND IS NOT TO BE USED IN ANY WAY DETRIMENTAL TO THE INTERESTS OF PANDUIT CORP.



300 PAIR BASE SHOWN



PART NUMBER		P110KB*00*Y	
TITLE			
FIELD TERMINATED 110 SYSTEM KITS WITH 4/5 PAIR		CONNECTING BLOCK	
CUSTOMER DRAWING			
ITEM REVISION NAME		M02479MH/00	
DATASET FILE NAME		M02479MH_DC321/00C	
UNLESS OTHERWISE SPECIFIED, DIMENSIONAL TOLERANCES ARE: IN (mm)		MATERIAL:	
.x ±		.xxx ± .010 [.3]	
.xx ± .03 [.8]		ANGLES ±	
DRAWN BY		THIRD ANGLE PROJECTION	
NER		SHT 3 OF 3	
DATE		SCALE	
3-28-06		NONE	
CHK		SIZE	
WJC		A	

2	5-28-14	MDJR	REFR	MMR	SEE SHEET 1 OF 3 FOR CHANGES.	02479-321
REV	DATE	BY	CHK	APR	DESCRIPTION	ECN

D10100DA/14