

45° Angled Mini-Com® TX6A™ and TX6™ PLUS Shielded Jack Modules

specifications

Category 6A/Class EA and Category 6/Class E, 8-position, Angled Shielded Jack Module shall terminate 4-pair, 22 – 26 AWG, 100 ohm shielded twisted pair cable and shall not require use of a punch down tool. Angled Shielded Jack Modules shall provide option for either up or down, or left or right, 45° angled cable entry into rear of jack module. Angled Shielded Jack Modules shall use a forward motion termination method to optimize performance by maintaining cable pair geometry while eliminating conductor untwist. The termination cap shall be color-coded to designate performance level and shall include a label coded for T568B wiring scheme.



technical information

Channel and component performance:	Exceeds channel requirements of ANSI/TIA-568.2-D and ISO 11801 standards for the respective Category or Class performance levels at the designated swept frequencies for that Category or Class. Exceeds component requirements of ANSI/TIA-568.2-D and ISO 11801 standards for the respective Category or Class performance levels at the designated swept frequencies for that Category or Class.
FCC and ANSI compliance:	Meets ANSI/TIA-1096-A contacts plated with 50 microinches of gold for superior performance
IEC compliance:	Meets IEC 60603-7 and IEC 60512-99-002
Operating temperature:	-10°C to 75°C (14°F to 167°F)
PoE and PoH compliance:	Meets IEEE 802.3af/802.3at and 802.3bt type 3 and type 4 for up to 100W
c(UL)us Listed:	UL 1863 (Use as communications circuit accessory); CSA standard C22.2 UL 2043 (Suitable for use in air-handling spaces)
RoHS compliance:	Compliant
Cable and conductor termination range:	Wire cap compatible with 22 – 26 AWG solid or stranded cable with conductor insulation diameters of 0.060" max and overall cable O.D. 0.200" to 0.330"
Depth reduction provided:	Allows up to 55% reduction in cable routing depth compared to straight exit wire cap when both allow proper cable bend radius for 0.275" (6.99mm) diameter cable (0.500" with angled caps vs. 1.100" with straight exit caps)

key features and benefits

Angled cable exit	Large diameter cables can be routed to jacks in tight spaces while maintaining proper bend radius, ensuring proper performance and enabling easy cable dressing in high density applications like patch panels
Reversible direction design	Each modular jack comes with a wire cap which can be inserted in either of two directions, so that only one jack type is needed to route cable in up or down directions, or left or right directions
100% performance tested	Confidence that each jack module will deliver the critical electrical performance requirements
Utilizes enhanced Giga-TX™ Technology	Optimizes performance by eliminating conductor untwist and reduces installation time and expense
Integral shield	Provides a 360° conductive path to ground shielded jack module with no additional assembly required
Snap in grounding	Shield provides seamless bonding of the jack module with Mini-Com All Metal Modular Patch Panels
Modular	Shielded jack modules snap in and out of all Mini-Com Faceplates, Metal Modular Patch Panels for easy moves, adds, and changes
Individually serialized	Marked with quality control number for future traceability
High density	Able to support 48 ports in 1RU density
Termination tool	TGSJT termination tool ensures conductors are fully terminated by utilizing a smooth forward motion without impact on critical internal components for maximum reliability

applications

45° Angled Mini-Com TX6A and TX6 PLUS Shielded Jack Modules may be used wherever an angled cable exit from the modular jack is desired and in confined jack mounting spaces such as in modular furniture, raceway, and wall outlets with conduit. 45° Angled Shielded Jack Modules are especially beneficial for use with Category 6A cabling which is increasingly being deployed in office and furniture applications, since their angled routing better accommodates the larger bundle diameter and bigger bend radius of Category 6A cable.

45° Angled Shielded Jack Modules are also useful in high density rack cabling where they reduce horizontal cabling bulk by as much as 50% and more directly feed shielded cables into pathways for easier cable management.

45° Angled Mini-Com TX6A and TX6 PLUS Shielded Jack Modules*

Left/Right 45° Angled Jacks (Black)

TX6A: CJSLR6X88TGY

TX6 PLUS: CJSLR688TGY

Up/Down 45° Angled Jacks (Black)

TX6A: CJSUD6X88TGY

TX6 PLUS: CJSUD688TGY

45° Angled Wire Caps for Mini-Com Shielded Jack Modules

Left/Right 45° Angle Caps

TX6A: CJSLRCAPBU-X

TX6 PLUS: CJSLRCAPIW-X

TX5e™: CJSLRCAPRD-X

Up/Down 45° Angle Caps

TX6A: CJSUDCAPBU-X

TX6 PLUS: CJSUDCAPIW-X

TX5e: CJSUDCAPRD-X

Tools and Accessories

Angled Jack Module

termination tool: TGSJT

Wire snipping tool: CWST

Wire stripping tool: CJUST

Block out device: PSL-DCJB

*For other colors for Angled Shielded Jack Modules, please see www.panduit.com

45° Angled Mini-Com® TX6A™ and TX6™ PLUS Shielded Jack Modules

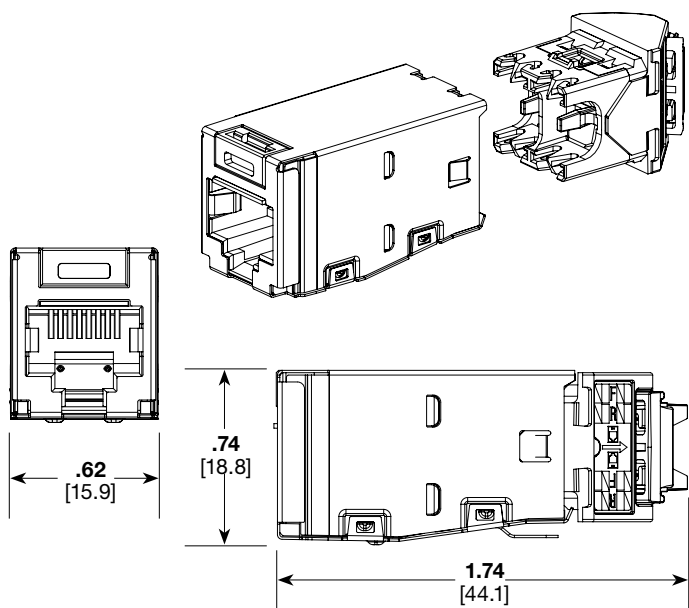
test results

Mechanical Test	Test Method	Measurement	Typical Test Results
Normal force	ANSI/TIA-1096-A	Load (grams)	>100
Vibration	IEC 512-6d	Circuit Resistance (mOhms)	<40
Shock	IEC 512-6c	Contact Disturbance (microseconds)	<5
Durability	IEC 512-9a	Circuit Resistance (mOhms)	<40
Mating/un-mating	IEC 512-13b	Mating Force (N)	<20
		Un-Mating Force (N)	<20
Termination cycles	IEC 352	Number of Cycles	>20
Mating cycles	IEC 60603-7	Number of Plug Insertions	>2500

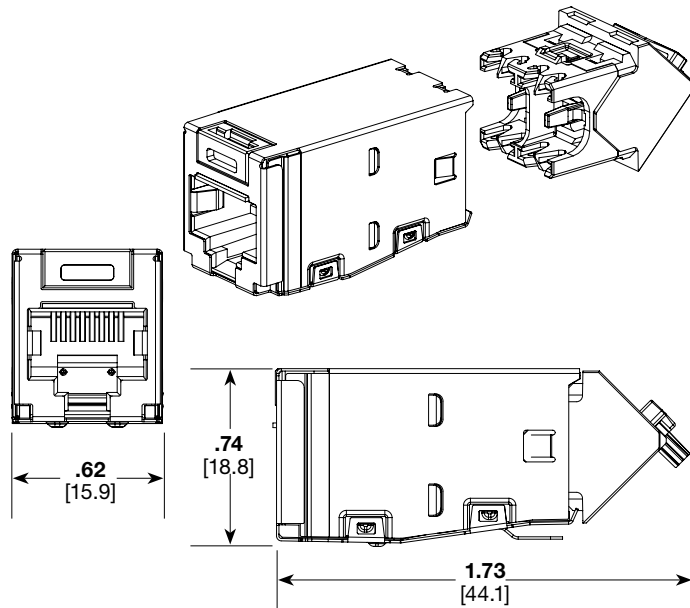
Electrical Test	Test Method	Measurement	Typical Test Results
Low level circuit resistance	IEC 512-2a	Resistance (mOhms)	<20
Dielectric withstand voltage	IEC 512-4a	1000 VAC, 1 minute	Passed
Insulation resistance	IEC 512-3a	Resistance (MOhms)	>500

Environmental Test	Test Method	Measurement	Typical Test Results
Temperature life	IEC 512-9b	Circuit Resistance (mOhms)	<40
Humidity	IEC 512-11c	Circuit Resistance (mOhms)	<40
Thermal shock	IEC 512-11d	Circuit Resistance (mOhms)	<40
Climatic sequence	IEC 512-11a	Circuit Resistance (mOhms)	<40
Flowing mixed gas corrosion	IEC 512-11g	Circuit Resistance (mOhms)	<40

Left/Right 45° Angled Shielded Jack Module



Up/Down 45° Angled Shielded Jack Module



Dimensions are in inches. [Dimensions in brackets are metric].

WORLDWIDE SUBSIDIARIES AND SALES OFFICES

PANDUIT US/CANADA
Phone: 800.777.3300

PANDUIT EUROPE LTD.
London, UK
Phone: 44.20.8601.7200

PANDUIT SINGAPORE PTE. LTD.
Republic of Singapore
Phone: 65.6305.7575

PANDUIT JAPAN
Tokyo, Japan
Phone: 81.3.6863.6000

PANDUIT LATIN AMERICA
Guadalajara, Mexico
Phone: 52.33.3777.6000

PANDUIT AUSTRALIA PTY. LTD.
Victoria, Australia
Phone: 61.3.9794.9020

For a copy of Panduit product warranties, log on to www.panduit.com/warranty

For more information

Visit us at www.panduit.com
Contact Customer Service by email: cs@panduit.com
or by phone: 800.777.3300

PANDUIT®

© 2022 Panduit Corp.
ALL RIGHTS RESERVED.
COSP456--WW-ENG
9/2022