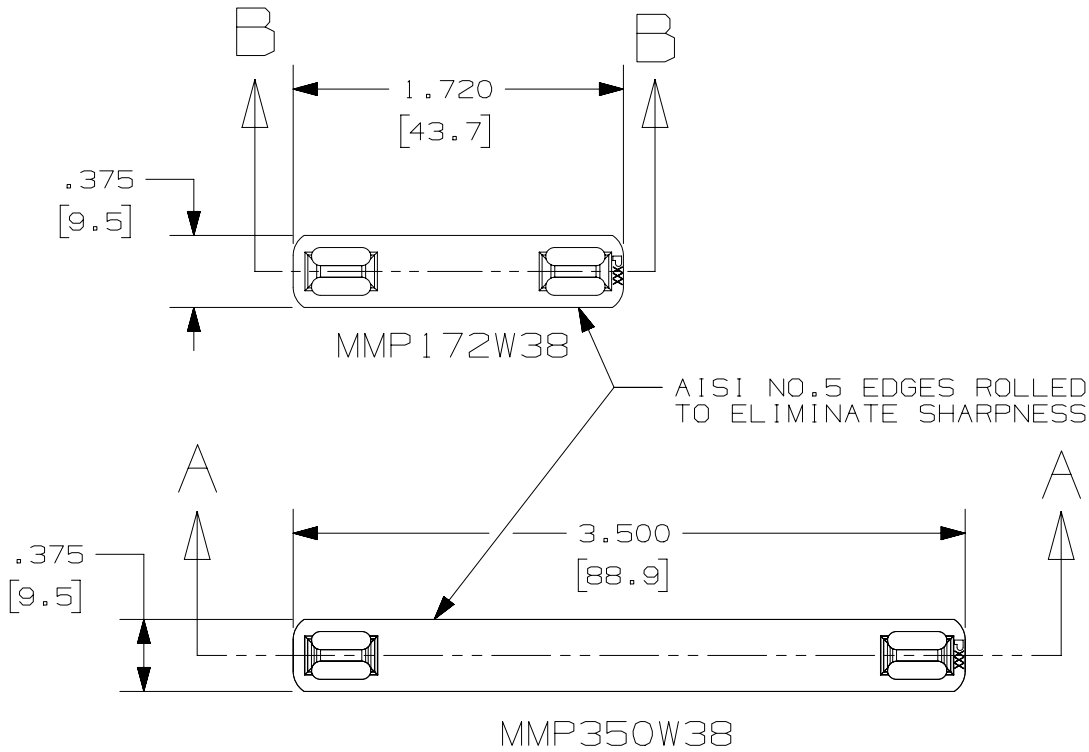


THIS COPY IS PROVIDED ON A RESTRICTED BASIS AND IS NOT TO BE USED IN ANY WAY DETRIMENTAL TO THE INTERESTS OF PANDUIT CORP.



| PART NUMBER     | MATERIAL | PACKAGING QTY. |
|-----------------|----------|----------------|
| MMP172W38-C     | 304 SS   | 100            |
| MMP172W38-C316  | 316 SS   | 100            |
| MMP172W38-M     | 304 SS   | 1000           |
| MMP172W38-M316  | 316 SS   | 1000           |
| MMP350W38-CQ    | 304 SS   | 125            |
| MMP350W38-CQ316 | 316 SS   | 125            |
| MMP350W38-M     | 304 SS   | 1000           |
| MMP350W38-M316  | 316 SS   | 1000           |

NOTES:

- DIMENSIONS IN ( ) ARE mm.
- CUSTOM PERMANENT MARKING AVAILABLE. CONSULT FACTORY.
- USE WITH STD. CROSS SECTION MLT'S.
- TOLERANCE (UNLESS OTHERWISE SPECIFIED):  
 .XXX = ±.020 (.5)  
 .XX = ±.03 (.8)

SECTION B - B  
SCALE 1 : 1

SECTION A - A  
SCALE 1 : 1

|                               |     |                            |     |
|-------------------------------|-----|----------------------------|-----|
| PRODUCT SPEC                  | N/A | PACKAGING SPEC             | N/A |
| PART NUMBER                   | MMP | WORK INSTRUCTION           | N/A |
| INSPECTION INSTRUCTION NUMBER | N/A | FMEA & CONTROL PLAN NUMBER | N/A |

|   |  |                        |  |
|---|--|------------------------|--|
| TITLE   |  | 3/8 WIDE MARKER PLATES |  |
| CUSTOMER DRAWING  |  |                        |  |
| ITEM REVISION NAME  |  | N10843BA/05            |  |
| DATASET FILE NAME   |  | N10843BA_DC/05D        |  |
| UNLESS OTHERWISE SPECIFIED, DIMENSIONAL TOLERANCES ARE: IN [ mm ] |  | MATERIAL:              |  |
| .x ± N/A<br>.xx ± N/A   |  | N/A                    |  |
| .xxx ± N/A<br>ANGLES ± N/A  |  | DRAWING NUMBER:        |  |
| THIRD ANGLE PROJECTION  |  | N10843BA_DC            |  |

| REV | DATE       | BY   | CHK  | APR  | DESCRIPTION  | ECN        |
|-----|------------|------|------|------|--|------------|
| 03  | 10/14/2020 | RVU  | JHAC | RCMC | ADDED MMP172W38-M and MMP172W38-M316 to the table. MMP172W38-M material is 304 SS. MMP172W38-M316 material is 316 SS. Both pkg quantity of 1000. | GAECN05785 |
| 02A | 5/4/18     | RVU  | JW   | JHAC | MMP350W38-CQ316 WAS MMP350W38-C316. MMP350W38-CQ WAS MMP350W38-C. Changed from Drawing format B to A. 125 was 100.                               | GAECN04599 |
| 01B | 8/08       | JMMR | SKB  |      | ADDED PART NO'S TO PART TABLE FOR BULK QTY 1000 MARKER PLATES.   | 0000       |
| 01A | 3/08       | JMMR | SKB  |      | GENERAL REVISION.  | 0000       |
| 00A | 9/07       | JMMR | SKB  |      | RELEASED.  | 0000       |

| REV  | DATE    | BY  | CHK  | APR        | DESCRIPTION | ECN |
|------|---------|-----|------|------------|-------------|-----|
| JMMR | 9/28/07 | SKB | FULL | SHT 1 OF 1 | A           |     |

D10100DA/20