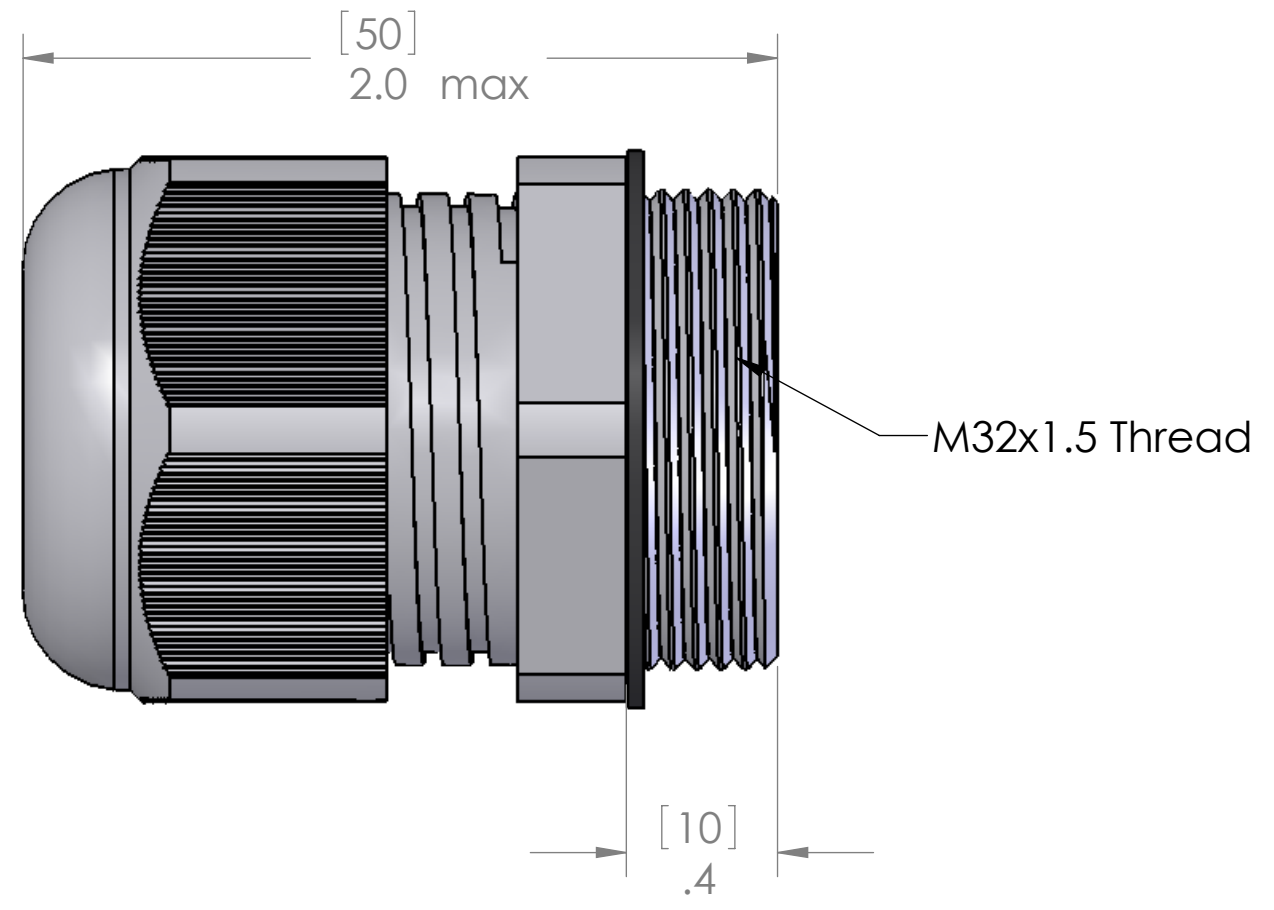
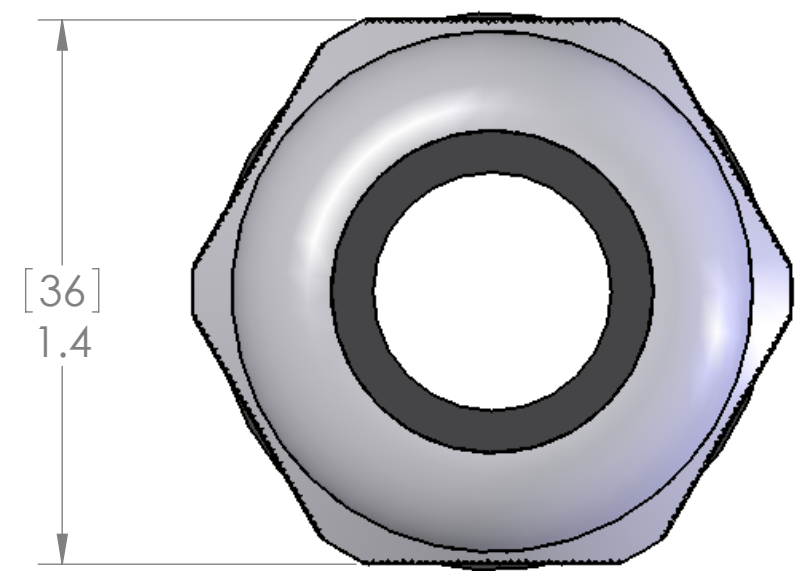


REVISIONS		
REV.	DESCRIPTION	DATE
A	REDRAWN IN SW	2/25/2005



LOCK NUT INCLUDED BUT NOT SHOWN

SEAL RATED TO: IP68

<b>MATERIALS</b>	
<b>BODY:</b>	GRAY OR BLACK POLYAMIDE
<b>GROMMET:</b>	CR/NBR / OUTER PART TPE / INNER PART

<b>SPECIFICATIONS:</b>	
<b>TIGHTENING TORQUE:</b>	7.5 Nm
<b>TEMPERATURE:</b>	-20°C - +100°C

<b>APPROVALS:</b>	
<b>US</b>	<b>UL RECOGNIZED</b>
<b>CANADA</b>	<b>C-UL RECOGNIZED</b>

PART NUMBER	COLOR	SEALING RANGE
<b>PCGU-M32</b>	<b>GRAY</b>	<b>12-21mm</b>
<b>PCGU-M32-B</b>	<b>BLACK</b>	<b>12-21mm</b>

**PROPRIETARY AND CONFIDENTIAL**  
THE INFORMATION CONTAINED IN THIS DRAWING IS THE SOLE PROPERTY OF MENCOM CORPORATION. ANY REPRODUCTION IN PART OR AS A WHOLE WITHOUT THE WRITTEN PERMISSION OF MENCOM CORPORATION IS PROHIBITED.

UNLESS OTHERWISE SPECIFIED: DIMENSIONS ARE IN INCHES	DRAWN	NAME
	CHECKED	BEM
	ENG APPR.	
	MFG APPR.	
	Q.A.	
	COMMENTS:	
MATERIAL		
FINISH		

MENCOM CORPORATION		
TITLE: GRAY PLASTIC GLAND W/M32		
SIZE <b>B</b>	DWG. NO. PCGU-M32	REV <b>A</b>
SCALE: 2:1	WEIGHT:	SHEET 1 OF 1

SPECIFICATIONS	DO NOT SCALE DRAWING
----------------	----------------------