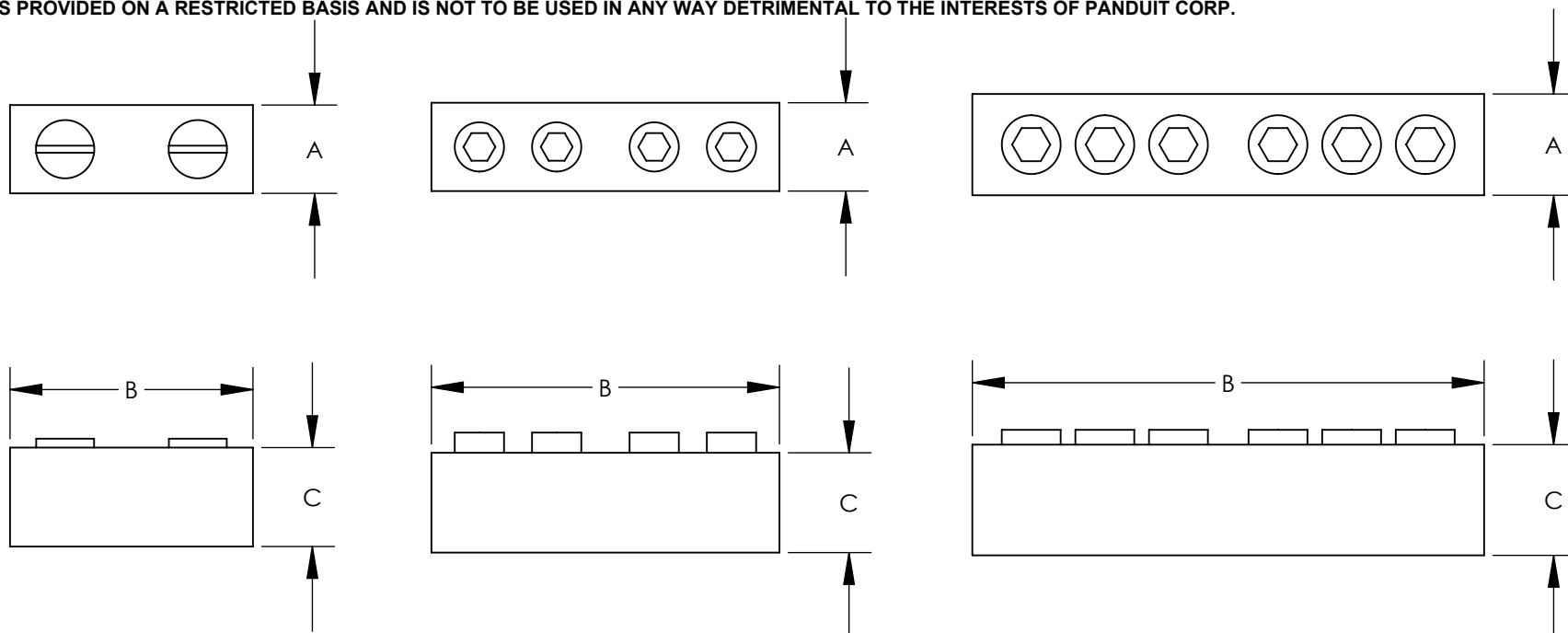


THIS COPY IS PROVIDED ON A RESTRICTED BASIS AND IS NOT TO BE USED IN ANY WAY DETRIMENTAL TO THE INTERESTS OF PANDUIT CORP.



- NOTES:
1. ANTI-OXIDANT JOINT COMPOUND RECOMMENDED FOR ALL ALUMINUM CONNECTORS
 2. SPLICER REDUCER AND SCREWS ARE TIN PLATED ALUMINUM
 3. MADE IN U.S.A.
 4. LISTED PER UL486B
 5. CSA CERTIFIED (NOTE: DOES NOT APPLY TO SR-4/0-XY)
 6. THIS PART IS RoHS COMPLIANT

PANDUIT PART NUMBER	FIGURE	WIRE RANGE CU AND AL	INSTALLATION TOOL	WIRE STRIP LENGTH	DIMENSIONS - IN		
					A	B	C
SR-2-XY	1	2 - 14 AWG STRANDED 10 - 14 AWG SOLID	SINGLE BLADE SCREWDRIVER	0.63	0.50	1.38	0.56
SR-0-XY		1/0 - 14 AWG STRANDED 10 - 14 AWG SOLID		0.88	0.75	1.91	0.75
*SR-4/0-XY		4/0 - 6 AWG STRANDED		1.08	1.00	2.31	1.13
SR-250-XY	2	250 kcmil - 6 AWG STRANDED	5/16" HEX ALLEN WRENCH	1.90	1.00	3.94	1.13
SR-350-XY		350 kcmil - 6 AWG STRANDED		2.00	1.13	4.19	1.19
SR-500-3Y		500 kcmil - 3/0 AWG STRANDED	3/8" HEX ALLEN WRENCH	2.44	1.37	5.00	1.40
SR-750-1Y		750 kcmil - 250 kcmil STRANDED	1/2" HEX ALLEN WRENCH	3.06	1.63	6.25	1.75
SR-1000-1Y	3	1000 kcmil - 500 kcmil STRANDED	9/16" HEX ALLEN WRENCH	4.38	1.72	8.69	1.88



REV	DATE	BY	CHK	APR	DESCRIPTION	ECN
03	7/15	JHNU	JHNU	RGB	REVISED PART NUMBER: SR-0-XY WAS SR-0-SY	N41540BA-C41540
02	9/14	JHNU	JHNU	RGB	ADDED NOTE TO SPECIFY SR-4/0-XY IS NOT CSA CERTIFIED CONVERTED TO SOLIDWORKS REVISED DWG SIZE: WAS A SIZE	N41540BA-C41540

TITLE ALUMINUM SPLICER REDUCER SR SERIES CUSTOMER DRAWING			
ITEM REVISION NAME	N41540BA/03		
DATASET FILE NAME	C41540/03.SLDDRW		
UNLESS OTHERWISE SPECIFIED, DIMENSIONAL TOLERANCES ARE: IN [mm]			
.X ±	.XXX ±	THIRD ANGLE PROJECTION	
.XX ± .02	ANGLES ±	DRAWING NUMBER C41540	
DRAWN BY	DATE	CHK	SCALE
JHNU	10/05	LEM	N/A
SHEET 1 OF 1			SIZE B



MATERIAL
SEE NOTES