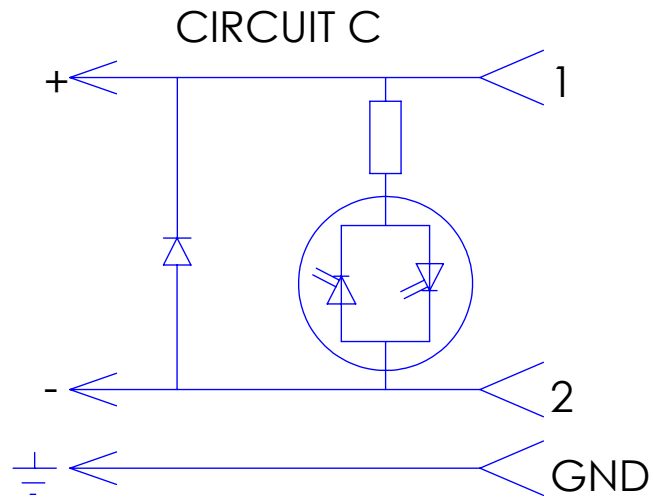
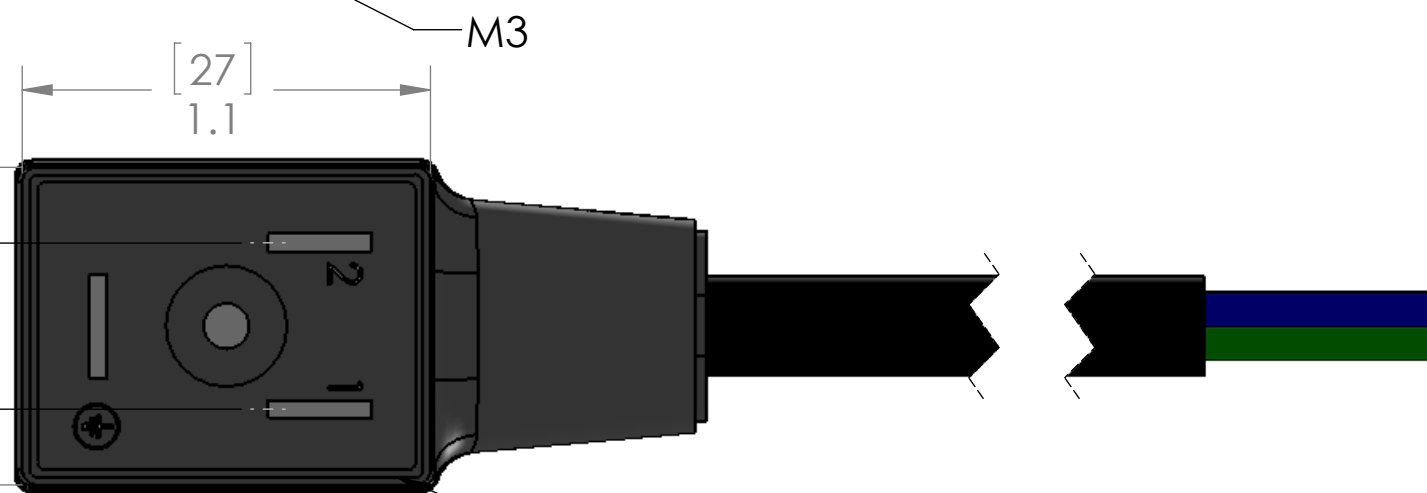
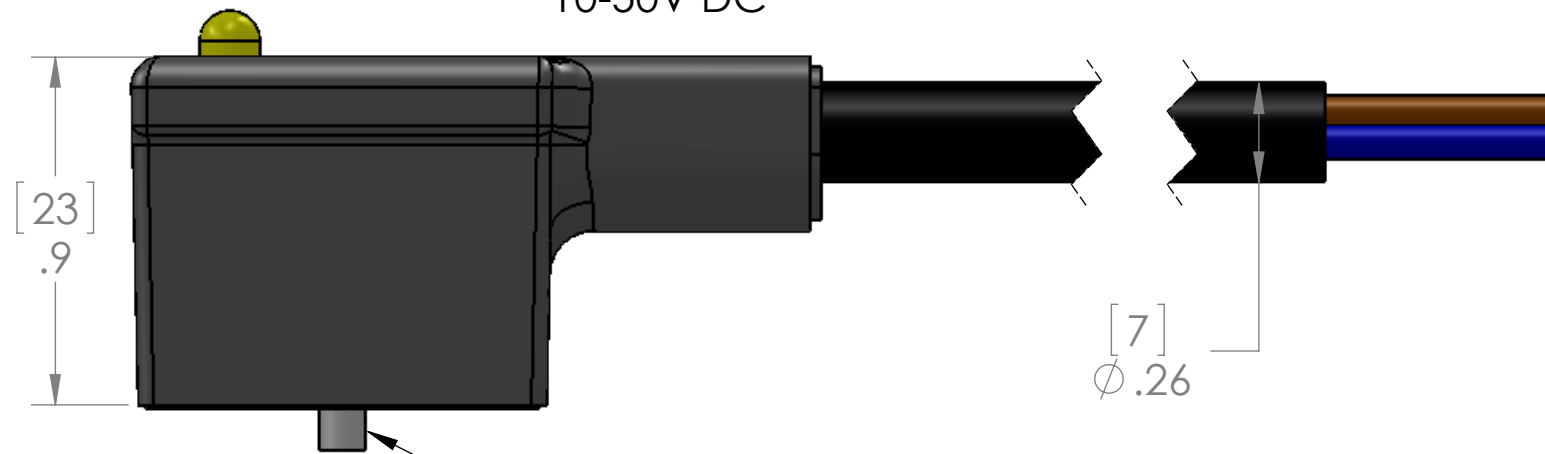


VALVE PIN #	COLOR
1	BRN
2	BLU
GND	GRN/YEL



LED W/ FLYBACK DIODE  
10-50V DC

REVISIONS			
REV.	DESCRIPTION	DATE	APPROVED
A	REDRAWN IN SW	3/18/2014	JJH



Gasket molded onto face of connector

TABLE A		
P/N	L	STD?
VDC-180-00	39" [1M]	NO
VDC-280-00	79" [2M]	YES
VDC-380-00	118" [3M]	NO
VDC-480-00	157" [4M]	NO
VDC-580-00	197" [5M]	YES
VDC-680-00	236" [6M]	NO
VDC-A80-00	393" [10M]	YES

PARTS LISTED AS NOT BEING STANDARD  
MAY REQUIRE MINIMUM ORDERS

MATERIALS:	
CABLE:	18/3 BLACK PVC JACKET
BODY:	TPE
CONTACTS:	SILVER PLATED COPPER ALLOY
SCREW:	ZINC PLATED STEEL
TEMP:	-25°C TO 90°C
SEAL:	IP65

UNLESS OTHERWISE SPECIFIED:	
DIMENSIONS ARE IN INCHES AND [MM]	DO NOT SCALE DRAWING
MATERIAL	
FINISH	

NAME	
DRAWN	RSC
CHECKED	
ENG APPR.	
MFG APPR.	
Q.A.	
COMMENTS:	

MENCOM CORPORATION		
TITLE: I/S B 10/50V LED FBD 2+E		
SIZE <b>B</b>	DWG. NO. VDC-ZZ80-00	REV <b>A</b>
SCALE: 2:1	WEIGHT:	SHEET 1 OF 1

**PROPRIETARY AND CONFIDENTIAL**  
THE INFORMATION CONTAINED IN THIS DRAWING IS THE SOLE PROPERTY OF MENCOM CORPORATION. ANY REPRODUCTION IN PART OR AS A WHOLE WITHOUT THE WRITTEN PERMISSION OF MENCOM CORPORATION IS PROHIBITED.