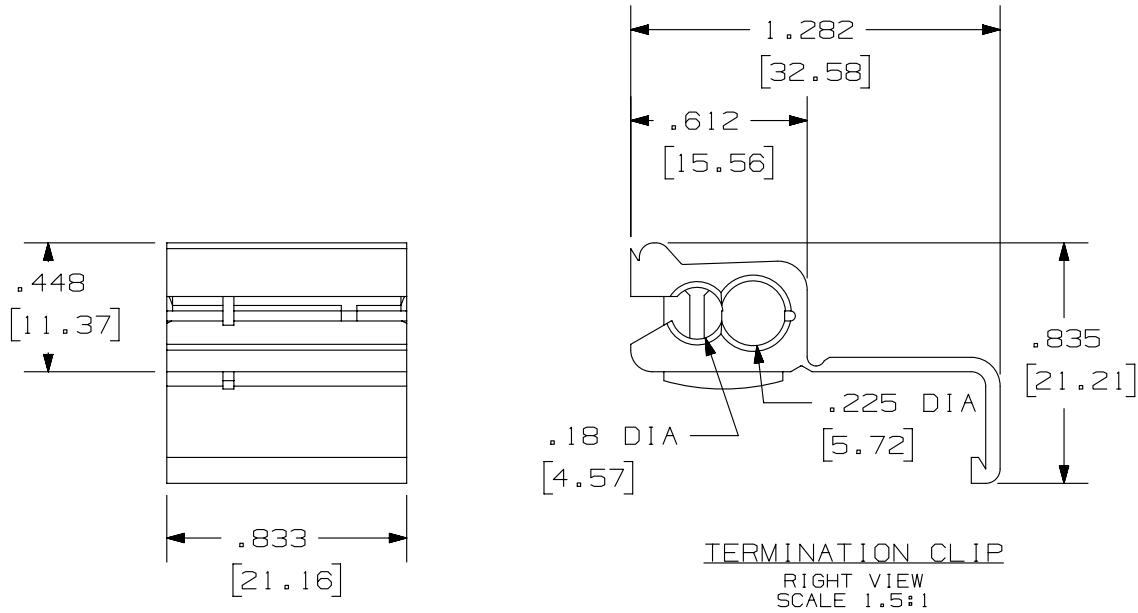
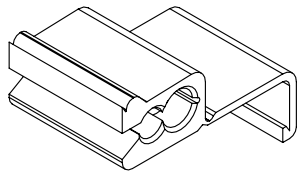


THIS COPY IS PROVIDED ON A RESTRICTED BASIS AND IS NOT TO BE USED IN ANY WAY DETRIMENTAL TO THE INTERESTS OF PANDUIT CORP.

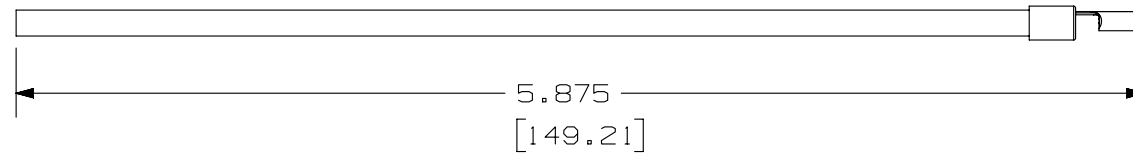


PANDUIT P/N	WEIGHT
CJSGK-XY	.216 LB/10 PCS (98 g/10 PCS)

- NOTES:
1. SPLICE TERMINALS ARE CAPABLE OF TERMINATING 10-12 AWG WIRE
  2. DIMENSIONS IN BRACKETS ARE IN METRIC.
  3. MATERIALS/COLORS:  
CLIP:  
INSULATOR: POLYPROPYLENE (UL94-V2) YELLOW  
CONTACT: TIN PLATED PHOS. BRONZE  
CONNECTOR: TIN PLATED BRASS  
WIRE: COPPER, PVC INSULATED, GREEN/YELLOW
  4. SPLICE TERMINALS SHALL BE ABLE TO TERMINATE 10-12 AWG WIRE



**TERMINATION CLIP**  
ACTUAL SIZE



**GROUND WIRE AND CONNECTOR**

PART NUMBER		CJSGK-XY	
TITLE			
GROUNDING KIT FOR TX STYLE MODULES		CUSTOMER DRAWING	
ITEM REVISION NAME		M02479KT/01	
DATASET FILE NAME		M02479KT_DC281/01C	
UNLESS OTHERWISE SPECIFIED, DIMENSIONAL TOLERANCES ARE: IN [mm]		MATERIAL:	
.x ± .xxx ± .010 [ .3 ]		SEE NOTE 3	
.xx ± .03 [ .8 ]		DRAWING NUMBER:	
ANGLES ±		02479-281	
THIRD ANGLE PROJECTION		SHT 1 OF 1	
DRAWN BY	DATE	CHK	SCALE
NER	3-21-06	WJC	NONE
REV	DATE	BY	CHK
4	5-22-14	MDJR	REFR
APR	EJH	A. UPDATED TITLE BLOCK. REMOVED PREVIOUS REVISIONS FOR CLARITY.	
DESCRIPTION	ECN	02479-281	

D10100DA/14

2

1

2

1