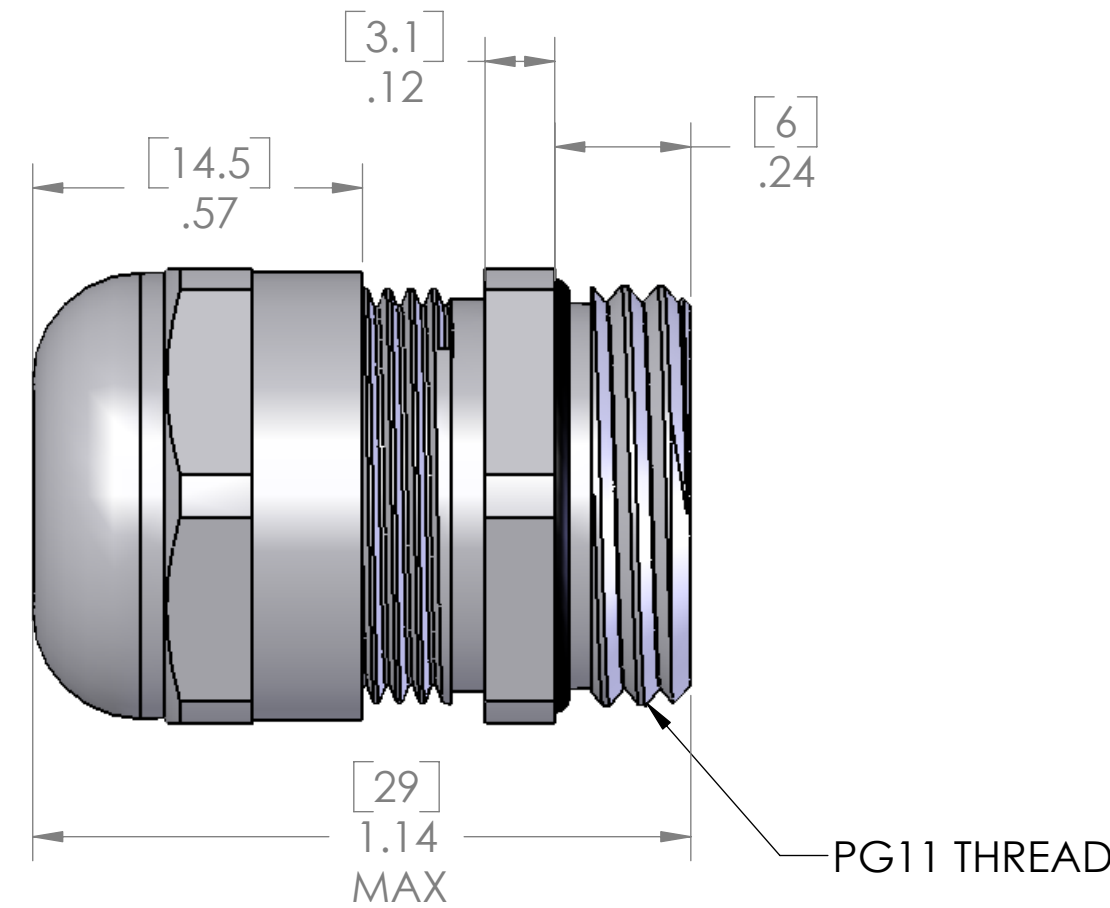
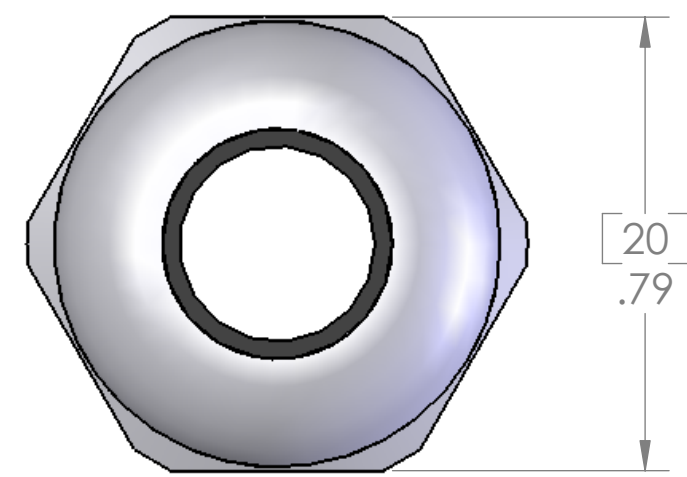


REVISIONS			
REV.	DESCRIPTION	DATE	APPROVED
A	REDRAWN IN SW	9/16/2005	BEM
B	ADDED TABLES	6/1/2006	



LOCK NUT INCLUDED BUT NOT SHOWN

SEAL RATED TO: IP68

SPECIFICATIONS:	(B)
TIGHTENING TORQUE:	6.25 Nm
TEMPERATURE:	-20°C - +100°C

MATERIALS:	
BODY:	NICKEL PLATED BRASS
INSERT:	POLYAMIDE
GROMMET:	NEOPRENE
LOCK NUT:	NICKEL PLATED BRASS
O-RING:	BUNA-N

PART NUMBER	SEALING RANGE
(B) MCG-11	.197 - .393 [5 - 10 mm]
MCG-11R	.118 - .275 [3 - 7 mm]

PROPRIETARY AND CONFIDENTIAL
 THE INFORMATION CONTAINED IN THIS DRAWING IS THE SOLE PROPERTY OF MENCOM CORPORATION. ANY REPRODUCTION IN PART OR AS A WHOLE WITHOUT THE WRITTEN PERMISSION OF MENCOM CORPORATION IS PROHIBITED.

UNLESS OTHERWISE SPECIFIED:	NAME
DIMENSIONS ARE IN INCHES	DRAWN BEM
	CHECKED
	ENG APPR.
	MFG APPR.
	Q.A.
	COMMENTS:
MATERIAL	
FINISH	
DO NOT SCALE DRAWING	

MENCOM CORPORATION			
TITLE: METAL CABLE GLAND, PG13.5			
SIZE B	DWG. NO. MCG-11	REV B	
SCALE: 3:1	WEIGHT:	SHEET 1 OF 1	