

NOTES, UNLESS OTHERWISE SPECIFIED:

The CT-1250 Hand Operated Mechanical Crimping Tools are designed to crimp:

- Panduit Copper compression connectors to copper code wire
- Integral dies available for sizes #1 AWG through 250 kcmil
- UL approved connector sizes #1, 1/0, 2/0, and 4/0 AWG

Go to www.panduit.com for additional information.

The CT-1250 Tool includes:

QTY	ITEM DESCRIPTION
1	CT-1250 MANUAL CRIMPING TOOL
1	CARDBOARD SHIPPING BOX
1	USER INSTRUCTION MANUAL

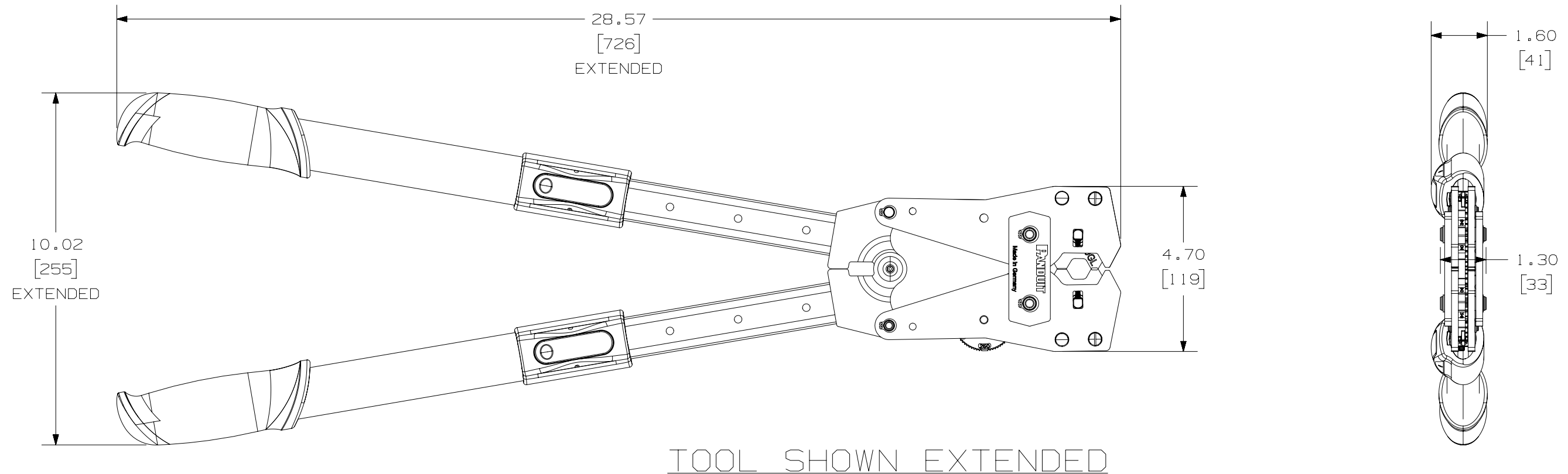
Technical information



WEIGHT	5.6 LBS [2.53 kg]
LENGTH	28.57" (729 mm) Ext., 26.44" (672 mm) Ret.
WIDTH	10.02" [255 mm] Ext., 8.25" [210 mm] Ret.
HEIGHT	1.60" [41 mm]


Copy of the operator manual can be found at www.panduit.com

Dimensions in [brackets] are in metric. All dimensions are for reference only.

 Tool is RoHS compliant per European Directive 2002/95/EC on the Restriction of Hazardous Substances (RoHS)



REV	DATE	BY	CHK	APR	DESCRIPTION	ECN
01	2/26/21	RUMO	BJP	ALP	 ADDED "UL APPROVED CONNECTOR SIZES #1, 1/0, 2/0, and 4/0 AWG" NOTE  ADDED RoHS NOTE	098562
00	4/29/20	RUMO	ACC	RGB	INITIAL RELEASE	077203

TITLE		CT-1250 MANUAL CRIMPING TOOL	
ITEM REVISION NAME		CUSTOMER DRAWING	
DATASET FILE NAME		00626NAB/01	
		00626NAB_DC/01	
UNLESS OTHERWISE SPECIFIED, DIMENSIONAL TOLERANCES ARE: IN [mm]		MATERIAL:	
.x ± .1 [2.54]	.xxx ± .005 [.127]	MULTIPLE MATERIALS	
.xx ± .01 [.25]	ANGLES ± 5 °	DRAWING NUMBER:	
THIRD ANGLE PROJECTION		00626NAB_DC	
DRAWN BY	DATE	CHK	SCALE
RUMO	4/29/20	ACC	5:16
SHT 1 OF 1		SIZE	
		B	