

8 7 6 5 4 3 2 1

D

D

C

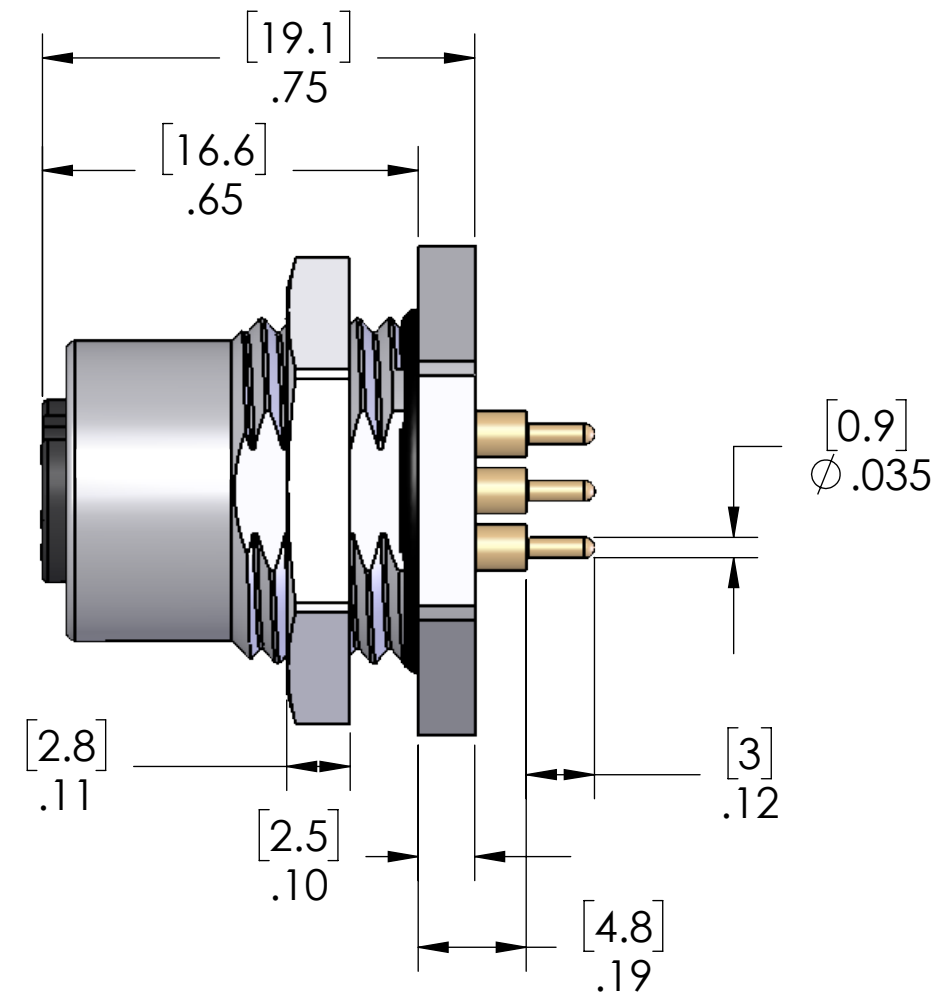
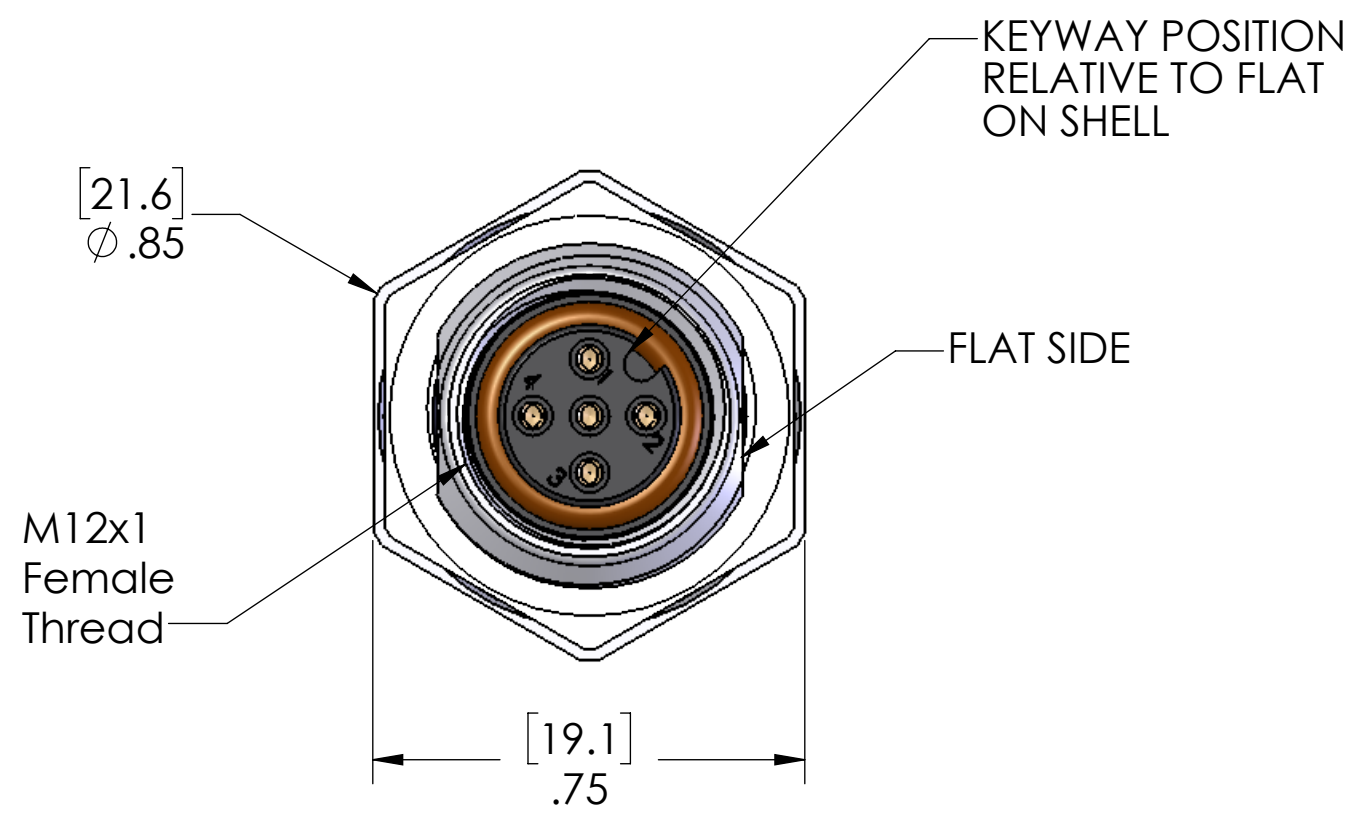
C

B

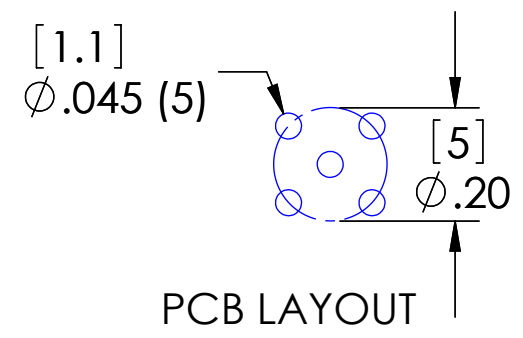
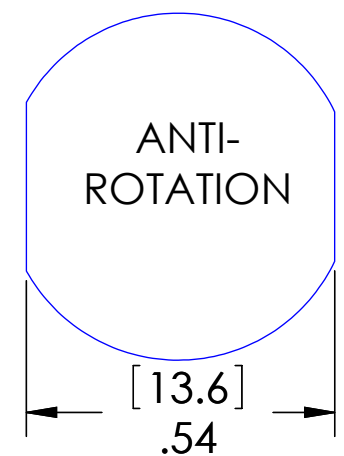
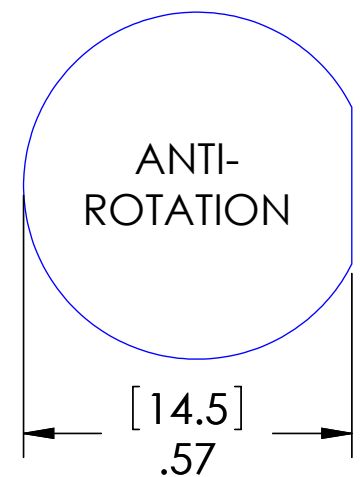
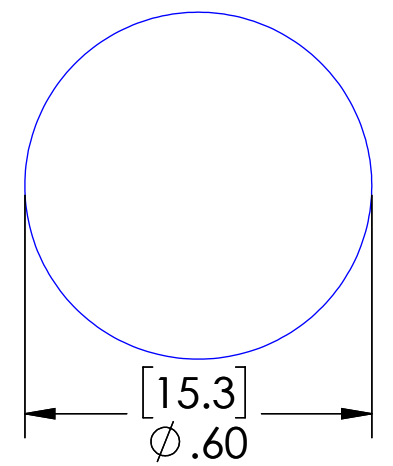
B

A

A



RECOMMENDED PANEL CUTOUTS



| | |
|------------|--------------------------|
| MATERIALS: | |
| BODY: | NICKEL PLATED BRASS |
| JAM NUT: | NICKEL PLATED BRASS |
| INSERT: | POLYAMIDE |
| PINS: | GOLD PLATED COPPER ALLOY |
| O-RING: | NBR |

PROPRIETARY AND CONFIDENTIAL
 THE INFORMATION CONTAINED IN THIS DRAWING IS THE SOLE PROPERTY OF MENCOM CORPORATION. ANY REPRODUCTION IN PART OR AS A WHOLE WITHOUT THE WRITTEN PERMISSION OF MENCOM CORPORATION IS PROHIBITED.

| | |
|-------|-------|
| VOLTS | 300V |
| AMPS | 4A |
| TEMP: | 105°C |

| | | |
|-----------------------------------|------------|------------|
| UNLESS OTHERWISE SPECIFIED: | DRAWN BY | ADM |
| DIMENSIONS ARE IN INCHES AND [MM] | DRAWN DATE | 04/24/2018 |
| | CHECKED BY | JJH |
| | CHECK DATE | 04/24/2018 |
| MATERIAL | COMMENTS: | |
| FINISH | | |
| DO NOT SCALE DRAWING | | |

| | | |
|----------------------------------|----------------|--------------|
| MENCOM CORPORATION | | |
| TITLE: 5 PL MDC FM BK MT RECP | | |
| SIZE | DWG. NO. | REV |
| B | MDC-5FR-BM-PCB | C |
| SCALE: 3:1 | WEIGHT: | SHEET 1 OF 1 |

8 7 6 5 4 3 2 1